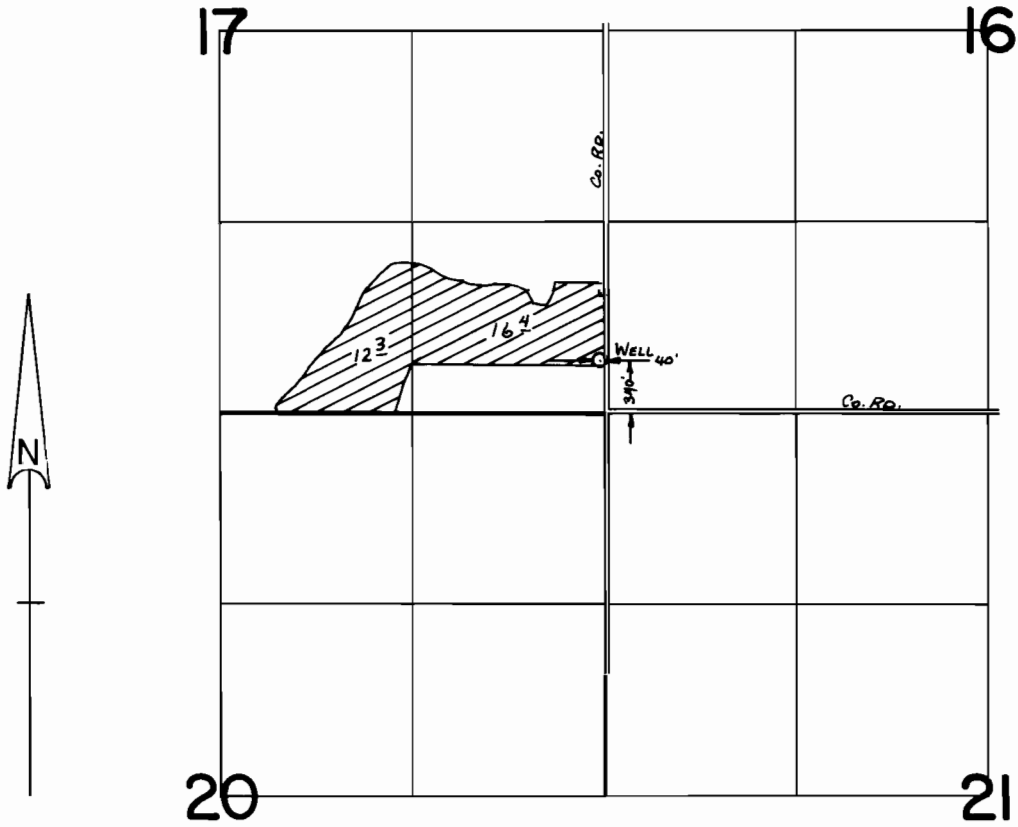


T.1S.,R.3W.,W.M.



SCALE: 1" = .1320'

FINAL PROOF SURVEY UNDER

Application No. G-8831.. Permit No. G-8146.....
IN NAME OF

.....DONALD.....BERNT.....ANDERSON.....

Surveyed Nov...4... 1983., by J.M.TOLL.....