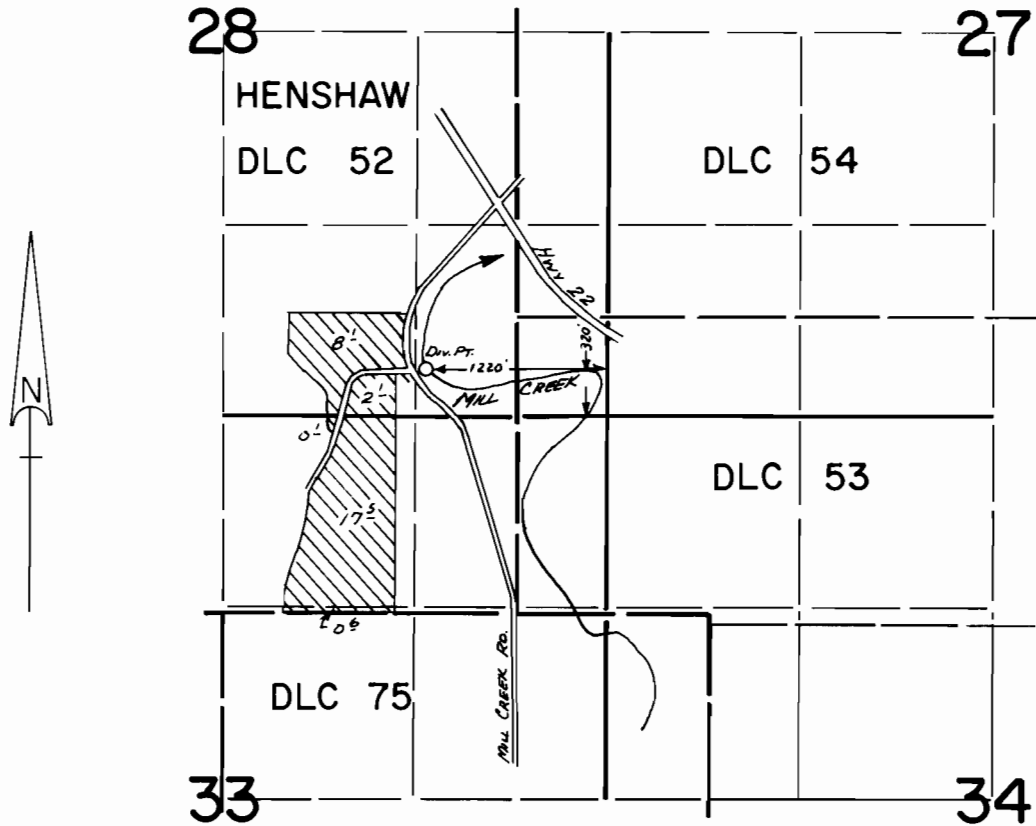


T.6S.,R.6W.,W.M.



SCALE: 1" = 1320'

FINAL PROOF SURVEY UNDER

Application No. 59714... Permit No. 44888...
IN NAME OF

KEN CRUICKSHANK

Surveyed Aug. 3, 1983, by L. M. T. C. L.