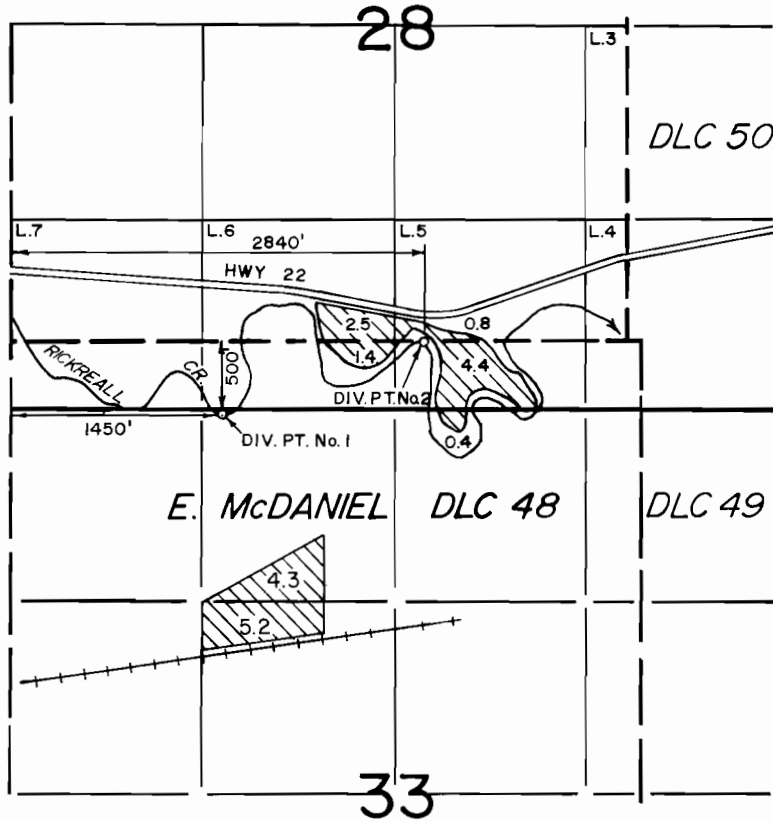


T. 7S., R. 4W., W.M.



**FINAL PROOF SURVEY**  
UNDER

Application No. 52659... Permit No. 39946.....  
IN NAME OF

.....D.V.A.....

Surveyed MAY. 29. 1979., by R.G. MUCKEN.....