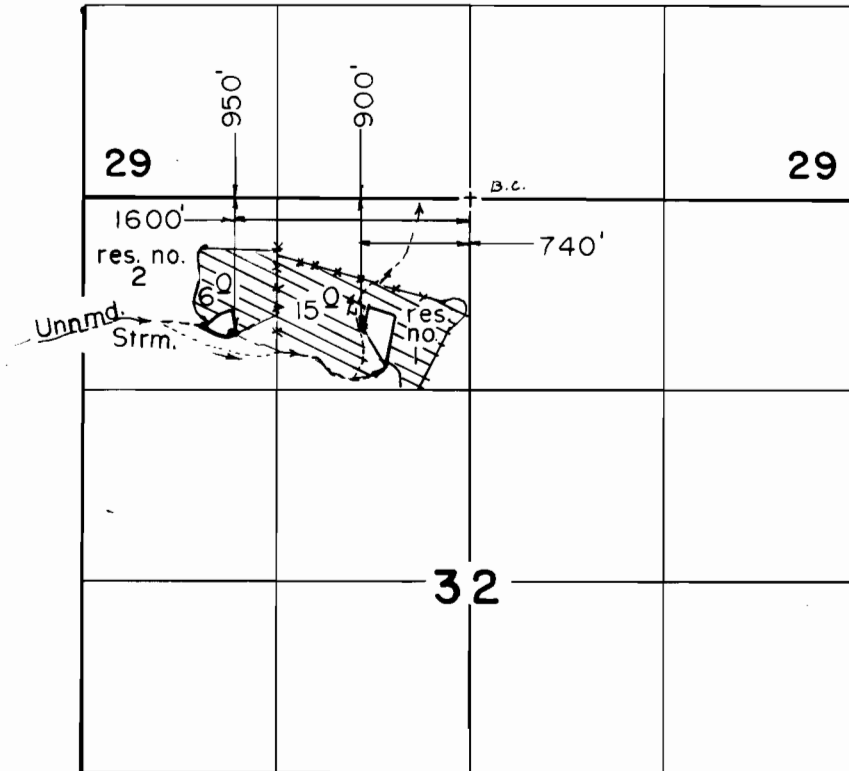


T. 34 S., R. 2 W., W. M.



Scale: 1" = 1320'

**FINAL PROOF SURVEY**  
UNDER

R-55111                      R-6600  
Application No. 55112. Permit No. 41597....  
IN NAME OF

.....CHARLES.....J.....T.HOMAS.....

Surveyed JUN. 11. 1987., by B. S. JAMES...