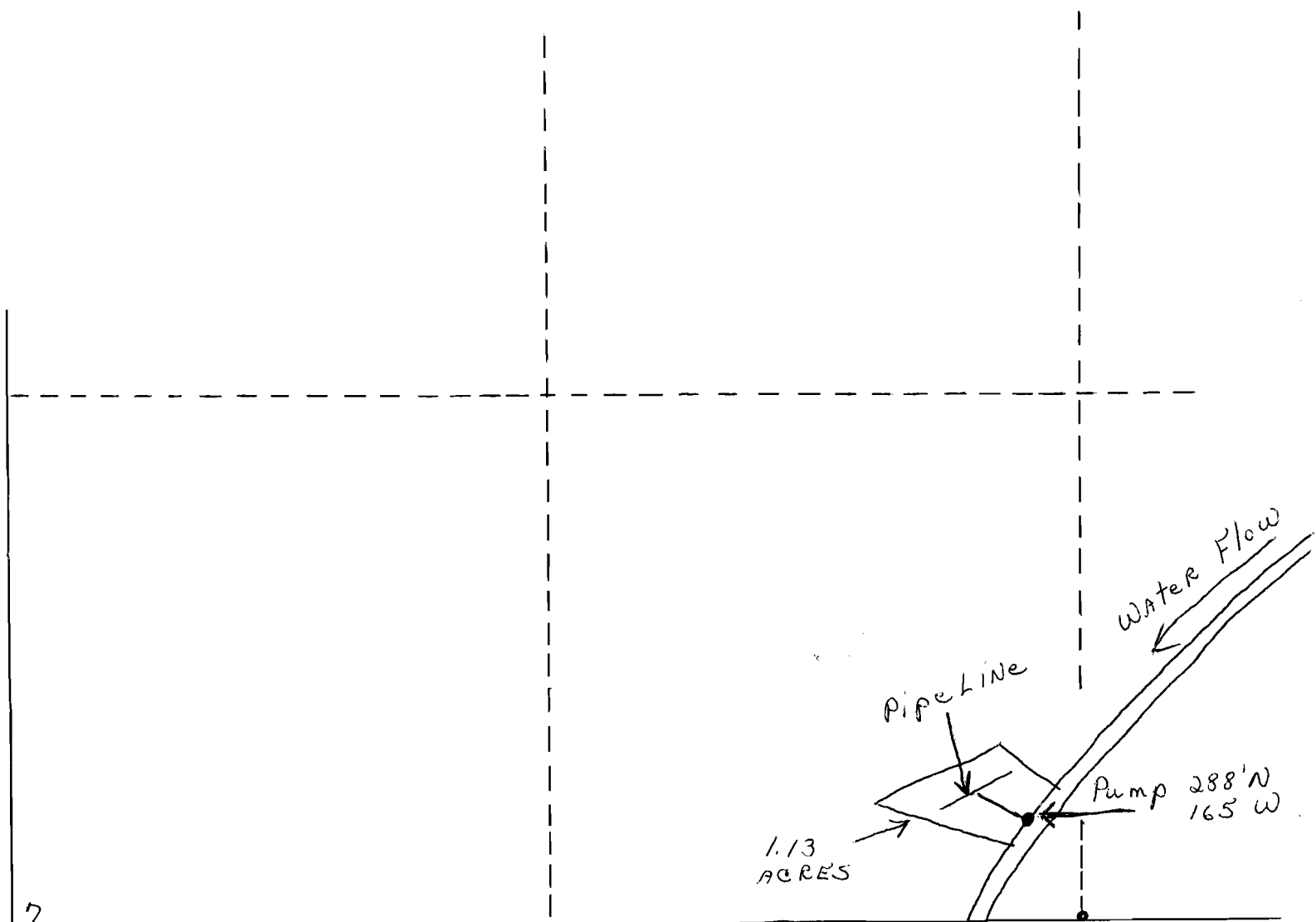


Sec 7, Tp 27S, R11WWM



**Application No. 62030**  
**Permit No. 46310**



7  
18

**RECEIVED**

JUL 31 1981

WATER RESOURCES DEPT  
SALEM, OREGON

↑  
SE CORNER OF  
SE 1/4 OF THE SW 1/4  
OF SEC 7