

RECEIVED
MAY 23 1986
WATER RESOURCES DEPT.
SALEM, OREGON

NO.	DESCRIPTION	DATE	BY



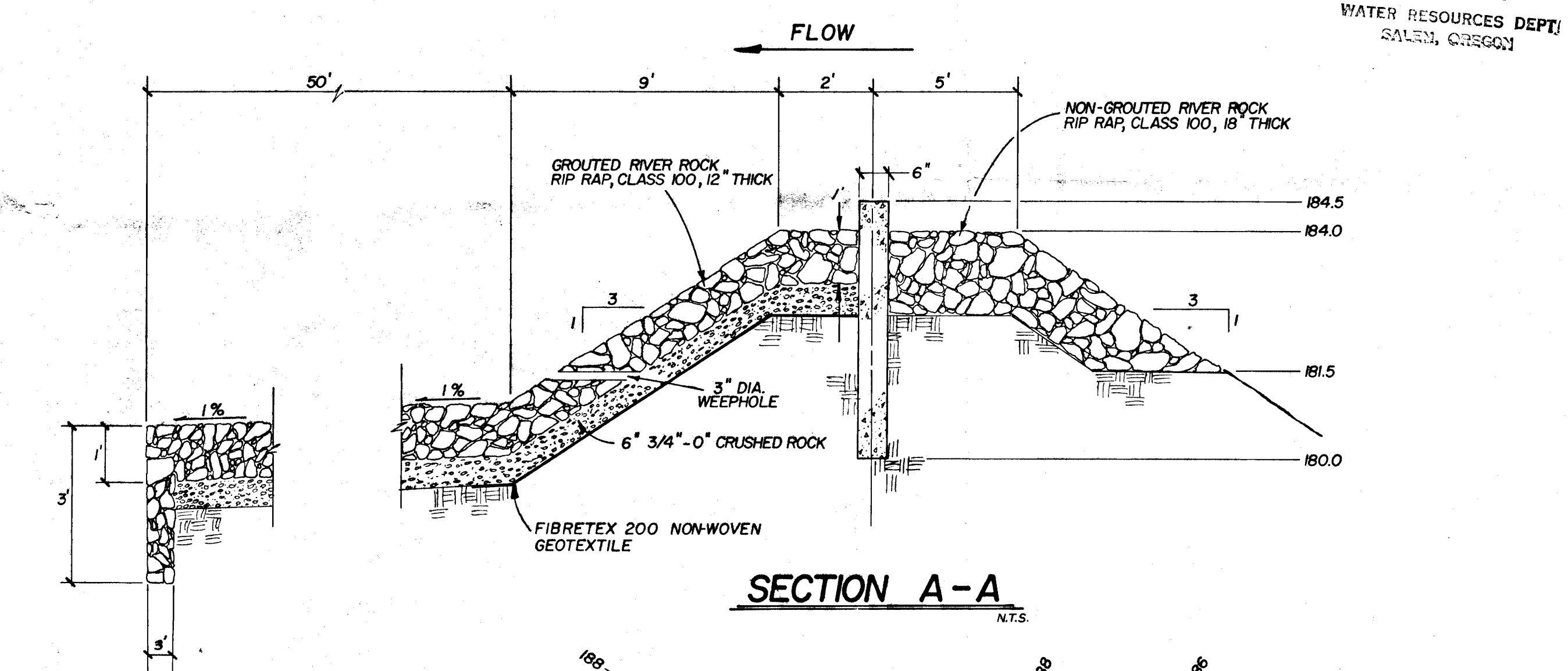
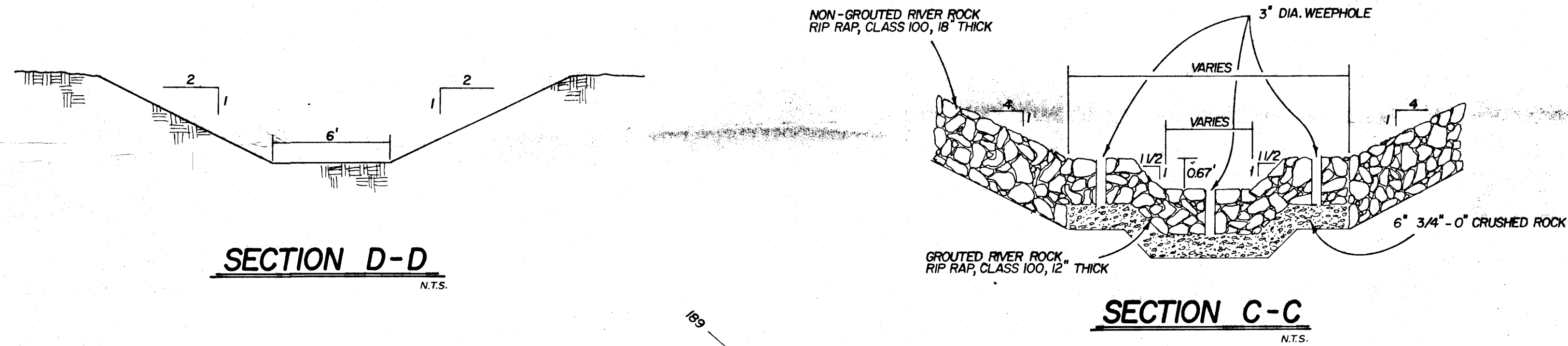
WATERHOUSE III

JENNE LAKE OUTFALL WEIR

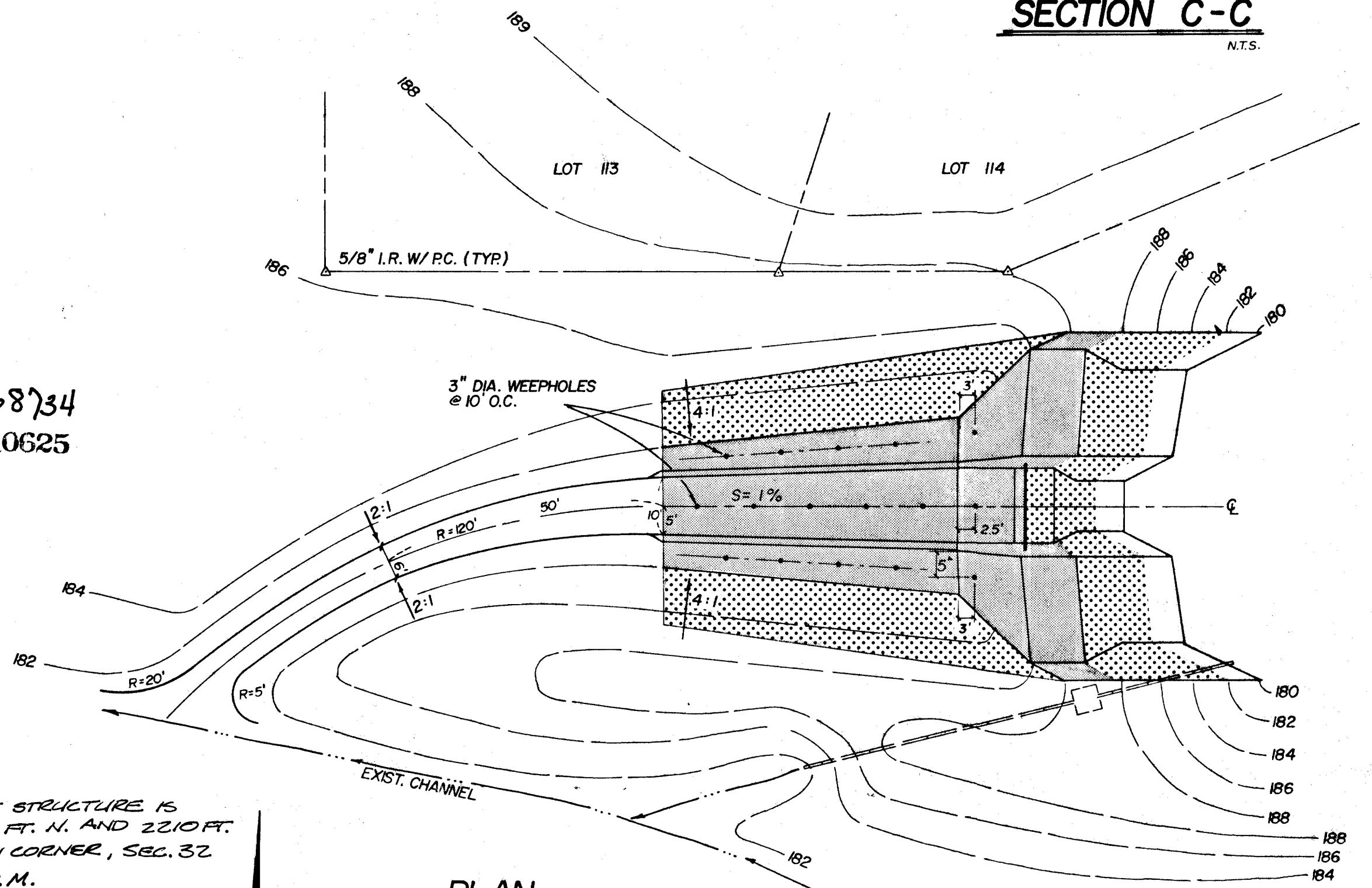
by Ben Fran Development
Beaverton, Oregon

WAKER Associates inc.
CIVIL ENGINEERING
PLANNING - SURVEYING
11000 S.W. ALLEN BLVD. SUITE 100, BEAVERTON, OREGON 97005 (503) 443-9410

JOB NO. 64535
DESIGNED: RGH/GGB
DRAWN: RGH
COMP: DMW/RGH
CHECKED: GGB
DATE: MARCH, 1986
SHEET NO.



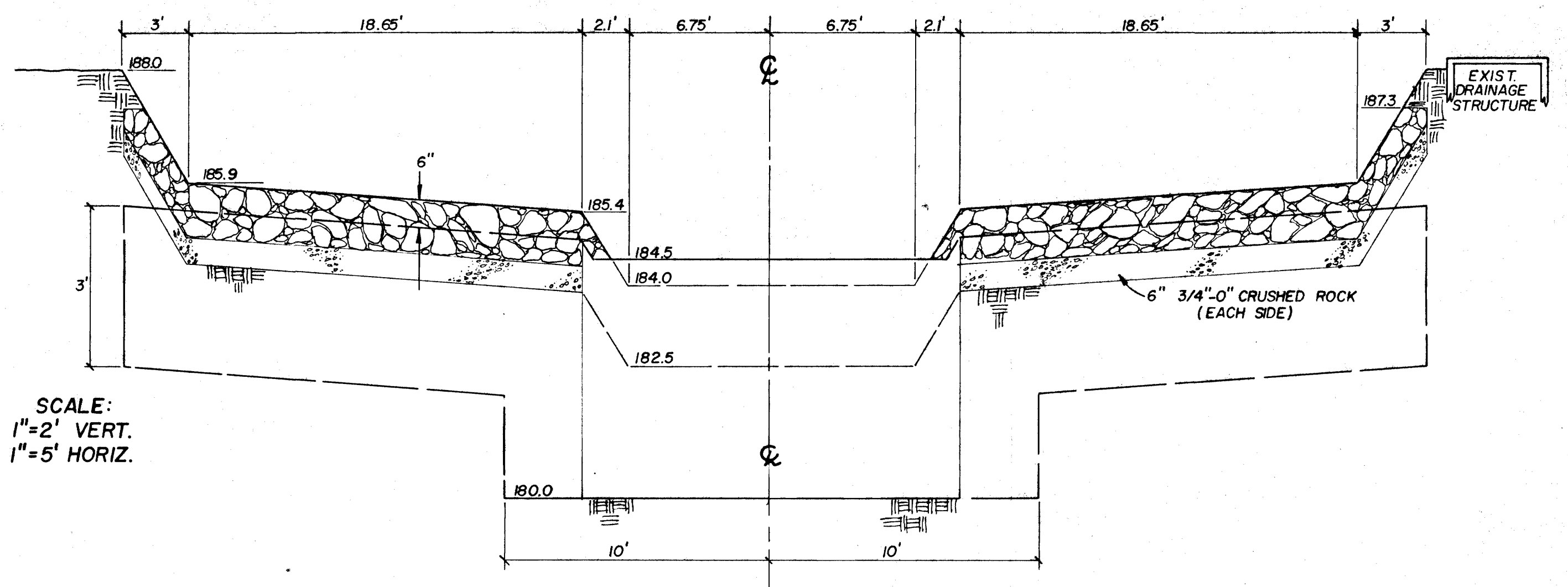
Application No. R-68734
Permit No. R10625



NOTE: WEIR OUTLET STRUCTURE IS LOCATED 430 FT. N. AND 2210 FT. W. OF S.W. 1/4 CORNER, SEC. 32 T.1N., R.1W., W.M.

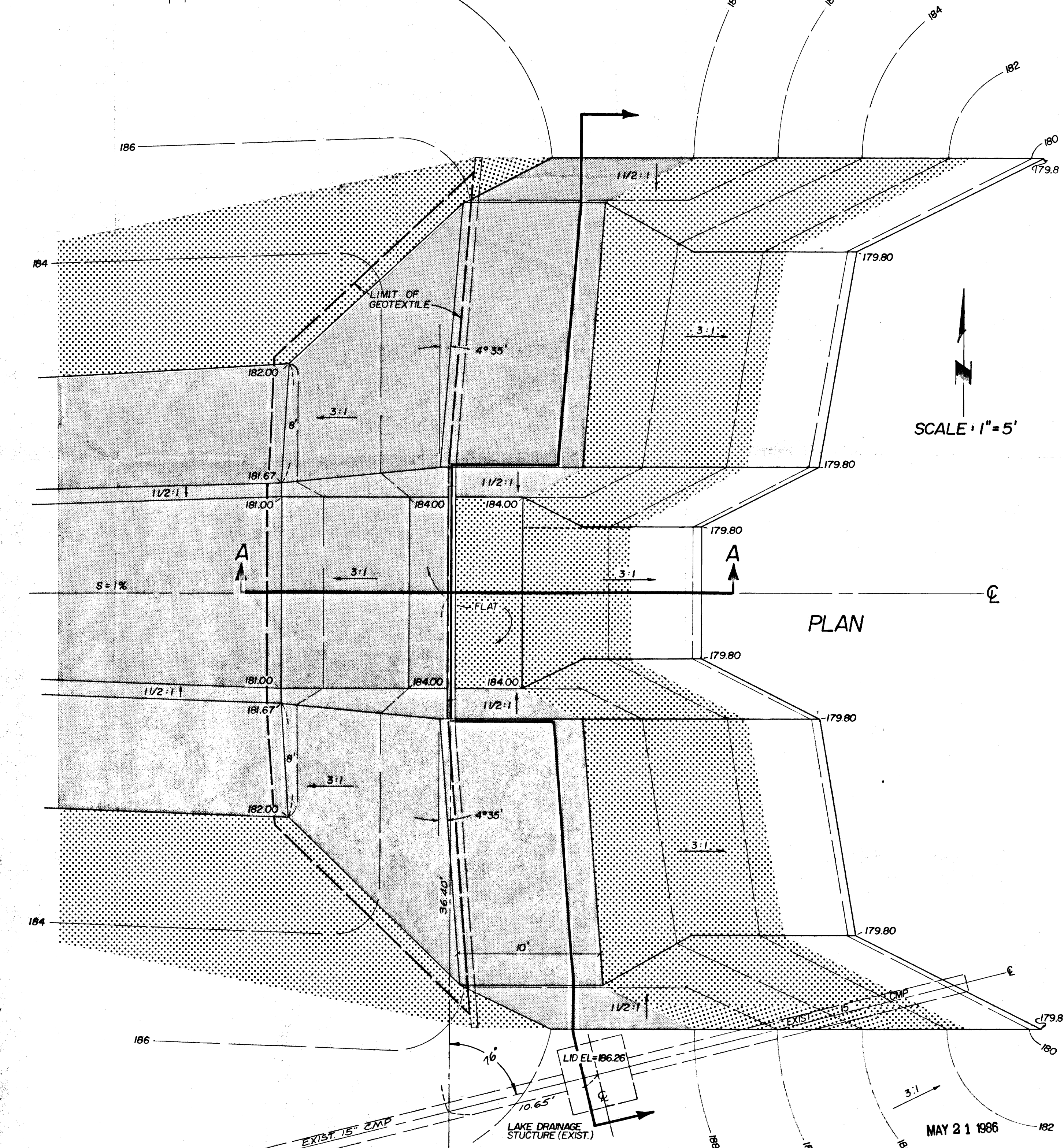
PLAN
SCALE: 1" = 20'

- NON-GROUTED RIP RAP
- GROUTED RIP RAP



SCALE:
1" = 2' VERT.
1" = 5' HORIZ.

SECTION B-B



SCALE: 1" = 5'

PLAN

