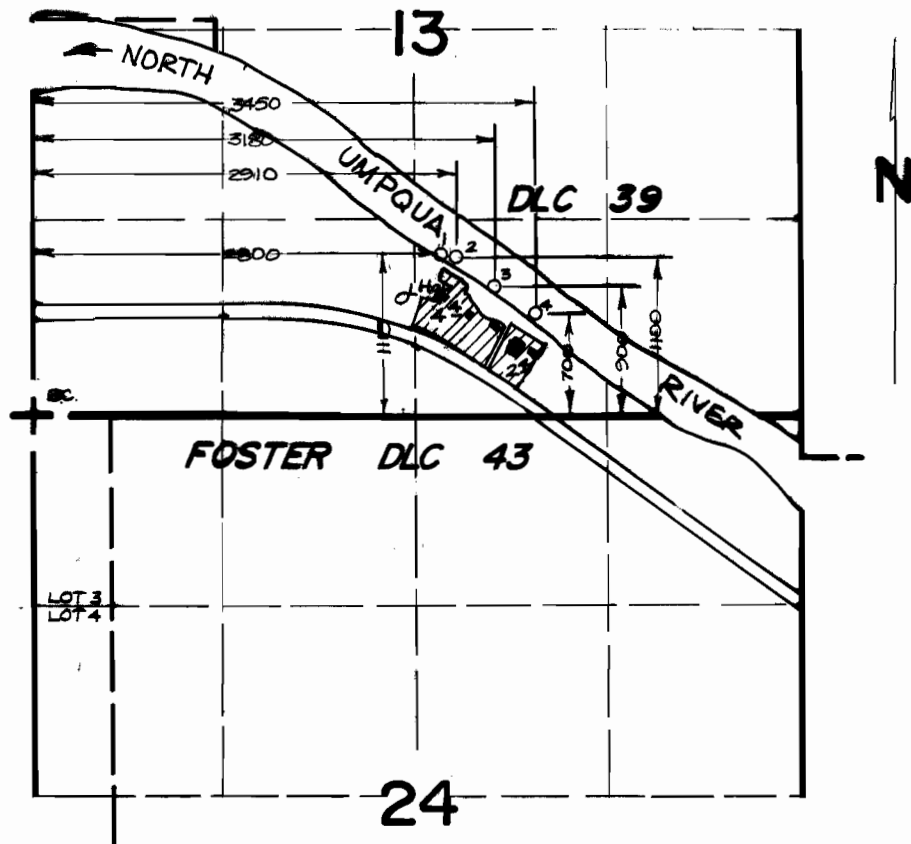


T. 26 S., R. 4 W., W.M.



SCALE : 4" = 1 MILE

FINAL PROOF SURVEY UNDER

Application No. ...66604 Permit No.47946...
IN NAME OF

.....WILLIAM B. DIETRICH.....

Surveyed .SEPT..9., 19.86., by .J.M..SCHMORDE..