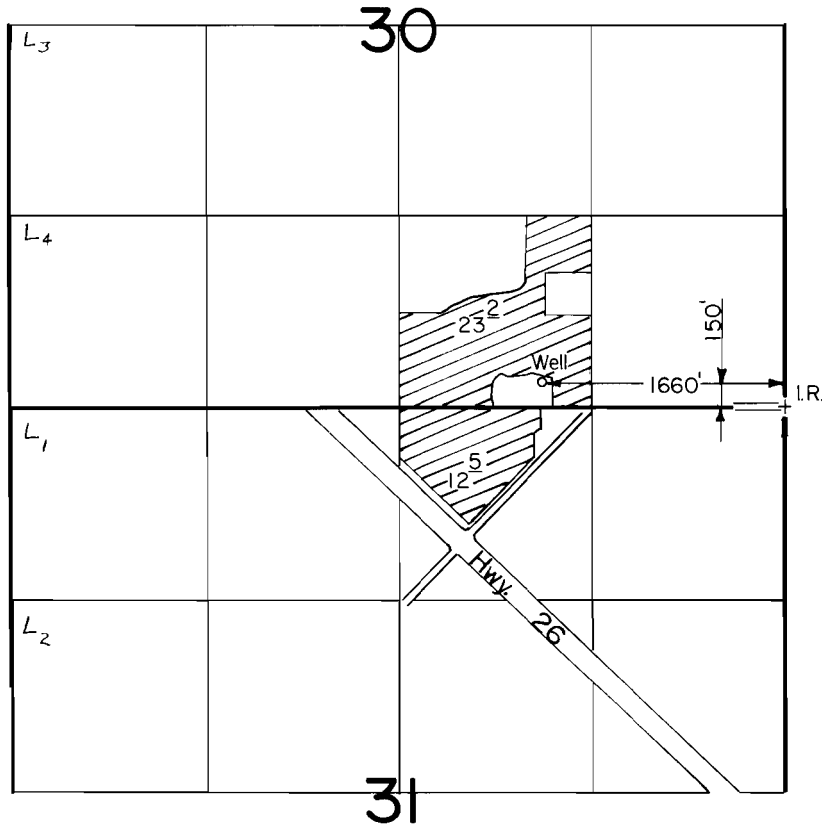


# T. 1 S., R. 4 E., W. M.



Scale: 1" = 1320'

## FINAL PROOF SURVEY UNDER

Application No. G-10897. Permit No. G-10086...  
IN NAME OF

ERICKSON FARMS, INC.

Surveyed Oct. 6, 1986, by T. Warren

41005-278-53A  
2/10/87 T.M.W.