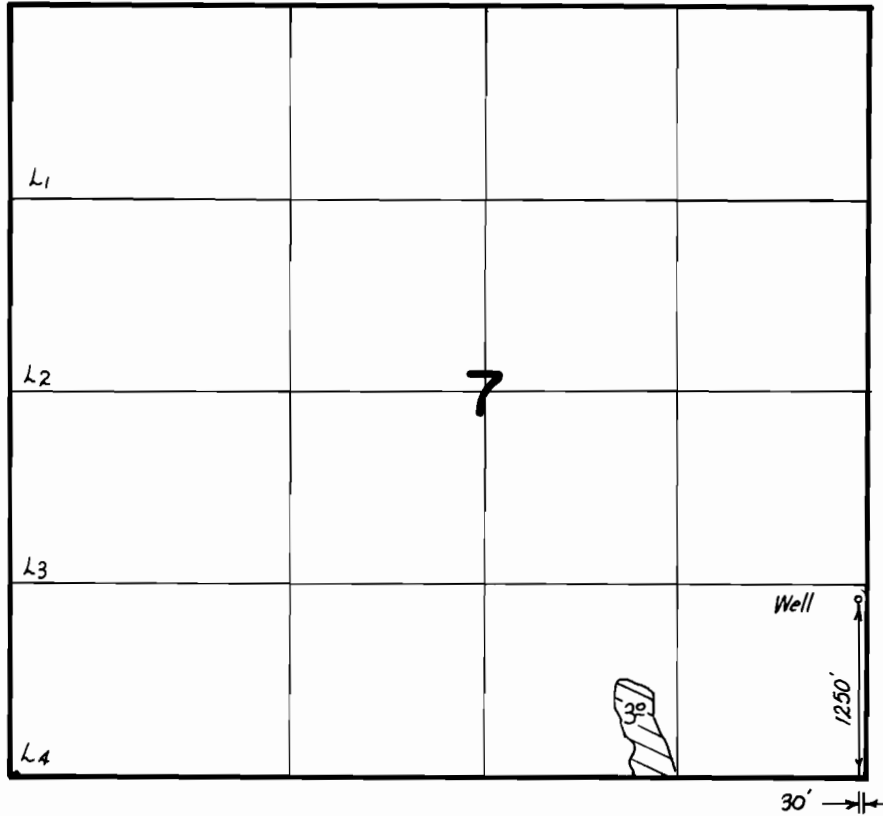
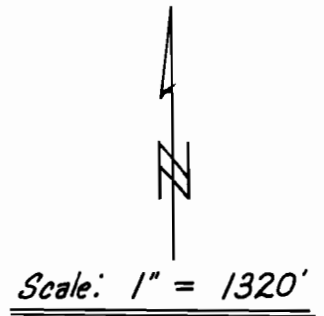


T.2N., R.12E., W.M.



FINAL PROOF SURVEY UNDER



Application No. G11343 Permit No. G10471...
IN NAME OF

.....BRUCE D. ECCLES.....

Surveyed 11-17 1987, by Verz Church.....