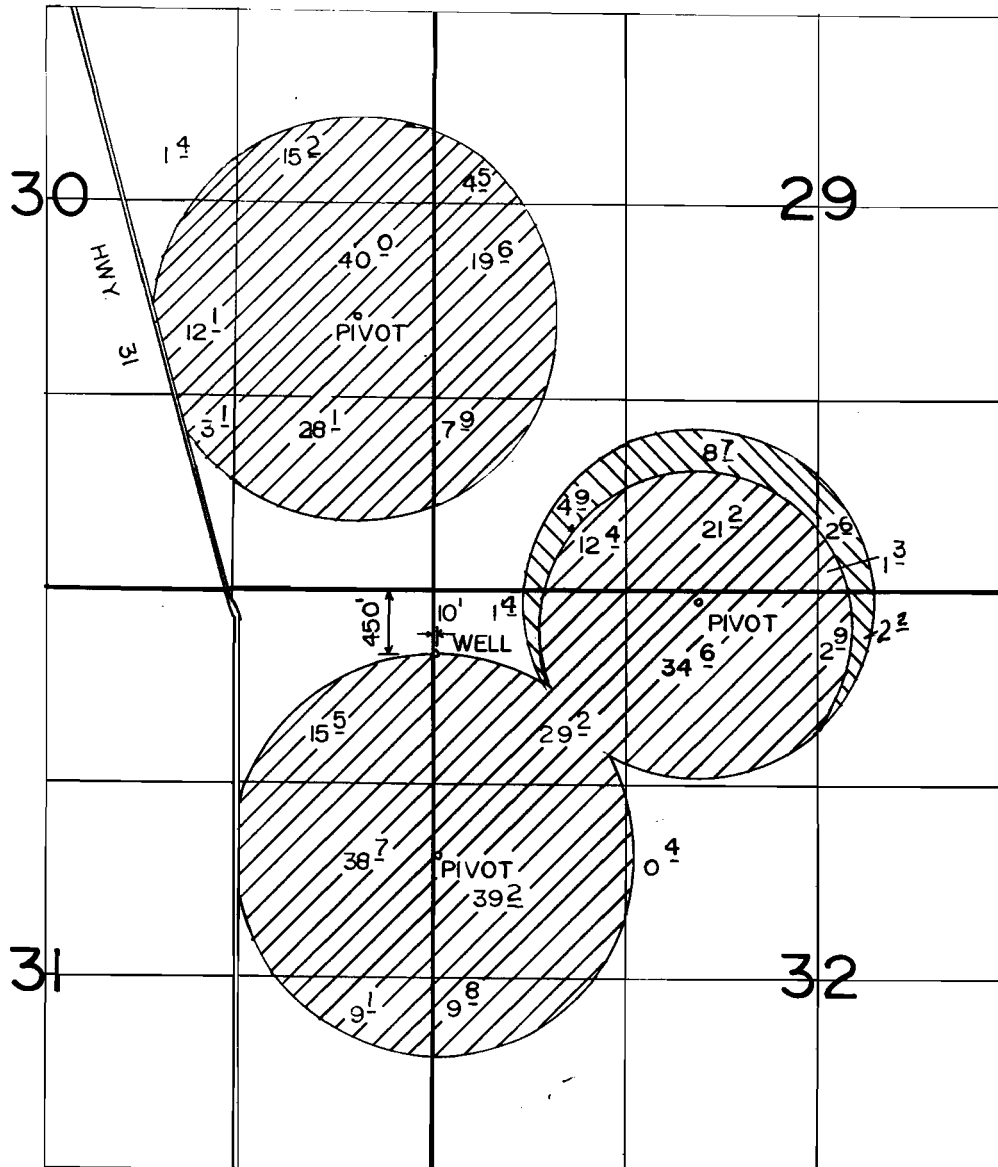


G-8883  
67219



T. 35 S., R. 21 E., W.M.

1" = 1320'

P G-8883

P G-9467

### FINAL PROOF SURVEY UNDER

G-10382

G-9467

Application No. G-9826... Permit No. [REDACTED]..

IN NAME OF

LOREN C. BLISS & SONS INC.

Surveyed AUG 23 19 90, by B W BISHOP

1-29-91 DSM  
PTS 11-1990