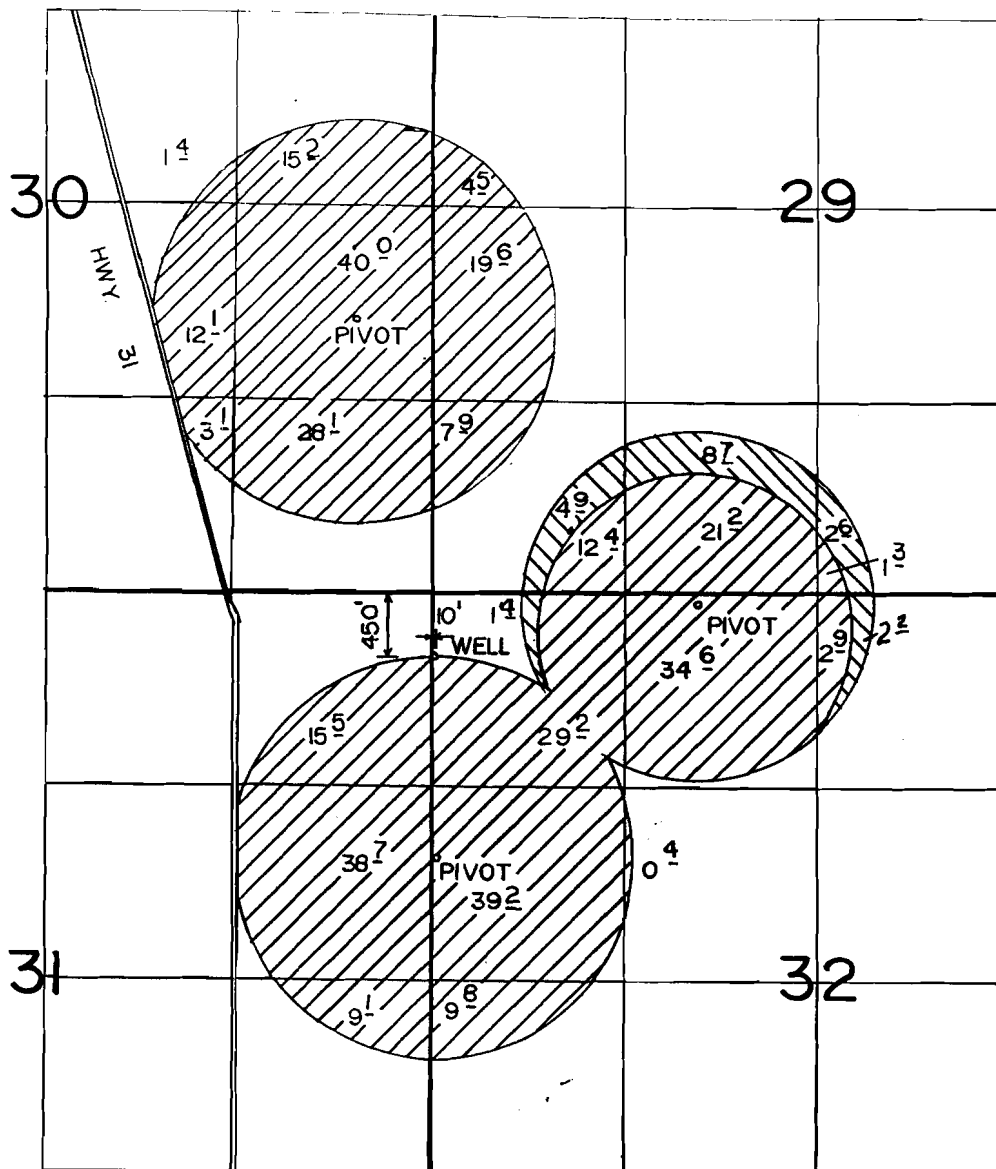




G-9467

67220



T. 35 S., R. 21 E., W.M.


 N
 1" = 1320'

 P G-8883

 P G-9467

FINAL PROOF SURVEY UNDER

G-10382

G-9467

Application No. G-9826 Permit No. G-8883....

IN NAME OF

LOREN C. BLISS & SONS INC.

Surveyed AUG 23 19 90, by B W BISHOP

1-29-91 DSM
PTS 11-1990