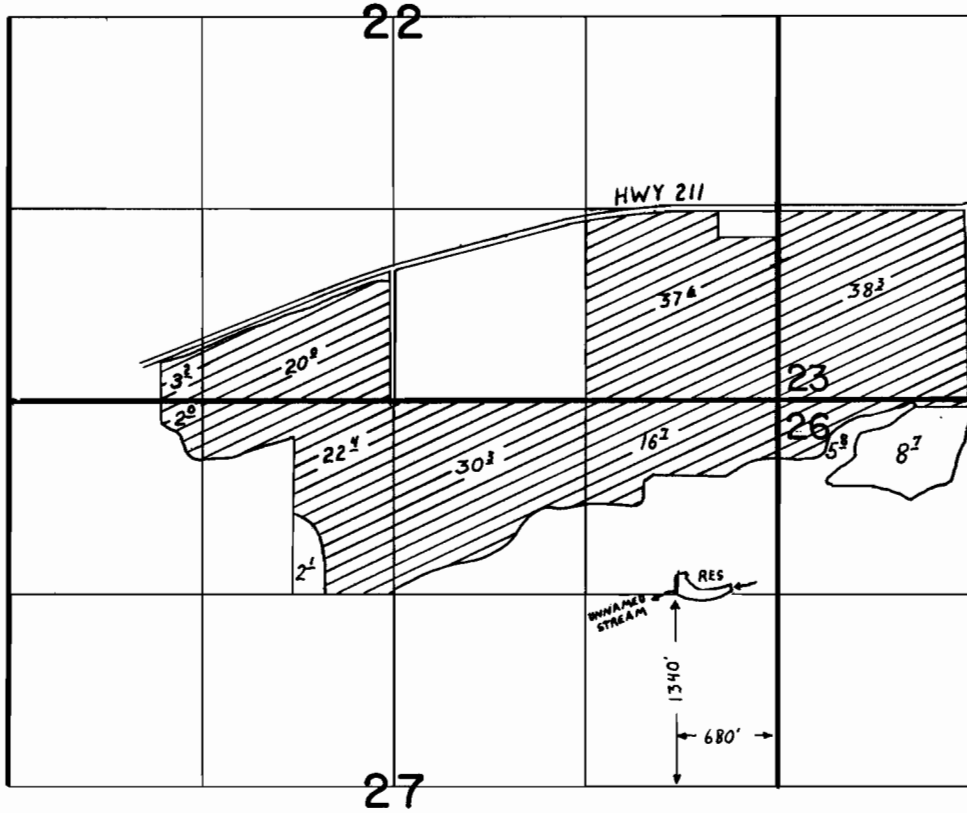


# T2S, R4E, WM



## FINAL PROOF SURVEY UNDER

R-68004                      R-9689  
 Application No. 68005 Permit No. 48424  
 IN NAME OF

.....SANDY FARMS.....

Surveyed JUNE..17. 1987, by T.M...WARREN...

RWK  
 DFK 11L 248  
 PTS 1987 A