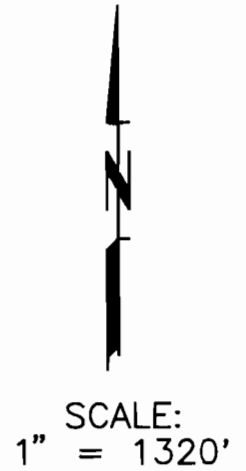
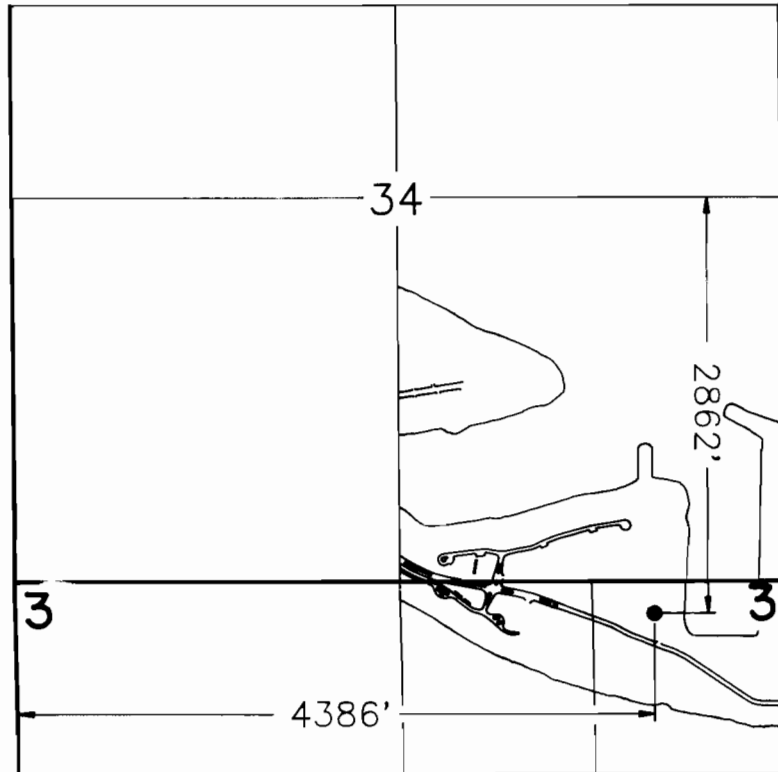


T.1N.,R.1E.,W.M.

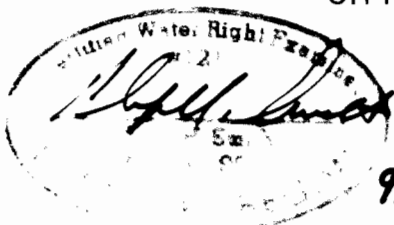


FINAL PROOF SURVEY
UNDER

Application No. G-8595 Permit No. G-7954

CITY OF PORTLAND, BUREAU OF WATER WORKS

Surveyed AUGUST 14, 1990



9/10/90