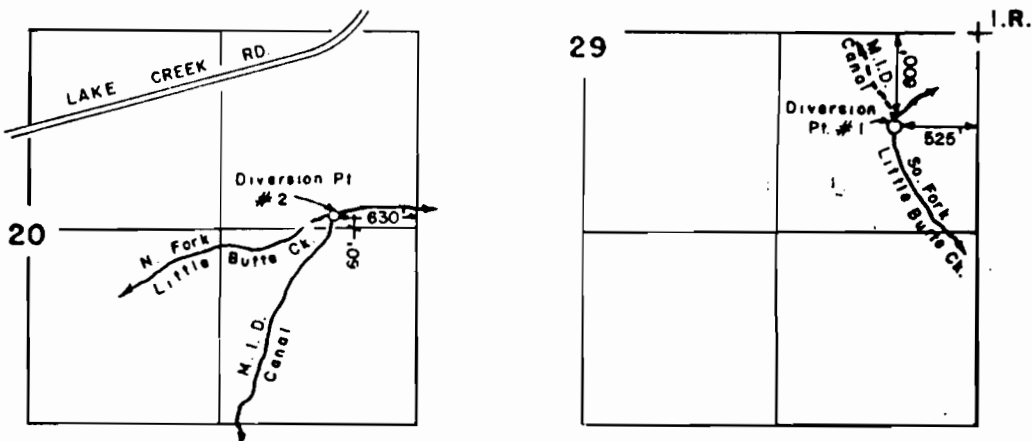


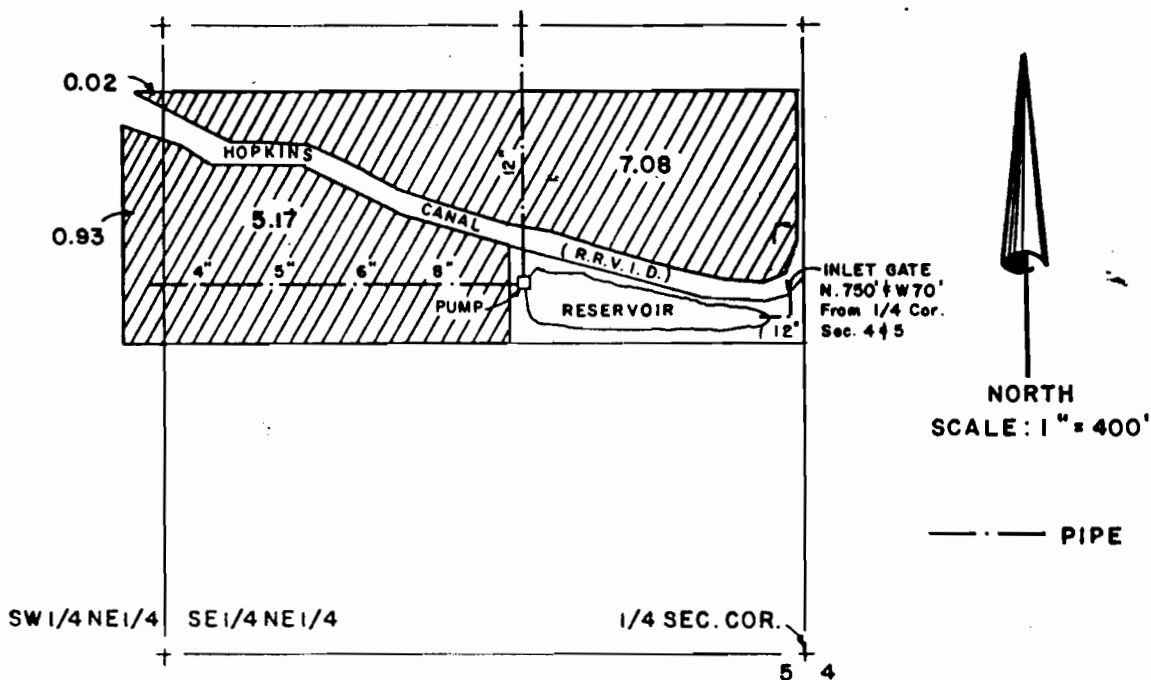
T. 36 S., R. 2 E., W.M.

SCALE: 1" = 1320'



DIVERSION POINTS

T. 37 S., R. 1 W., W.M.



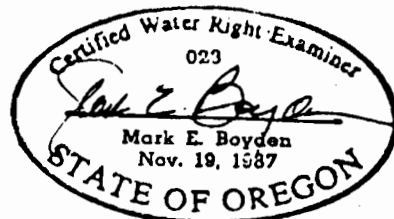
FINAL PROOF MAP

APPLICATION No. R-69005 PERMIT No. R-10830
APPLICATION No. 69006 PERMIT No. 50022

IN THE NAME OF

ASSOCIATED FRUIT COMPANY

NOTE: THIS MAP HAS BEEN PREPARED FOR WATER RIGHT PURPOSES ONLY, NOT FOR PROPERTY BOUNDARY LOCATIONS.



MAP PREPARED OCTOBER 22, 1990 BY MARK E. BOYDEN