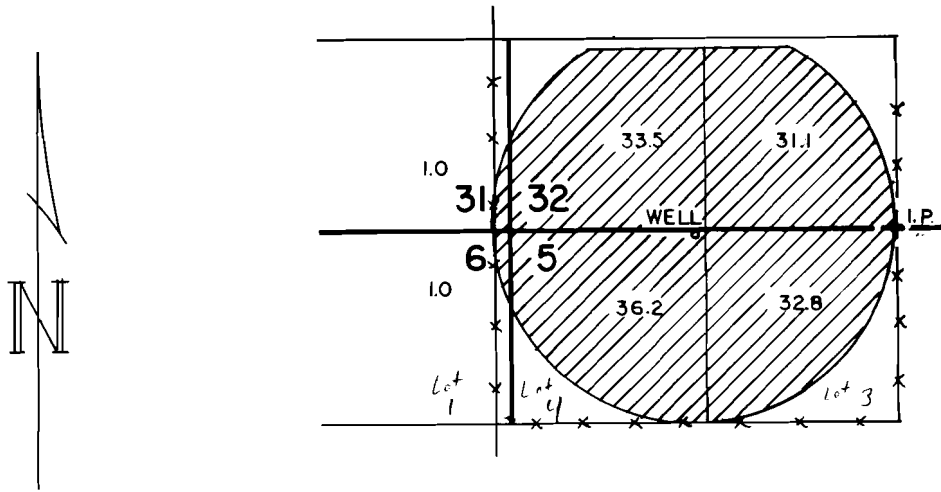


T 24 S  
 T 25 S R 31 E WM



THE WELL IS 1377 FT. WEST AND 35 FT. SOUTH OF THE 1/4 SEC. COR. COMMON TO SEC'S 32 & 5.

THE PURPOSE OF THIS MAP IS TO IDENTIFY THE LOCATION OF THE WATER RIGHT. IT IS NOT INTENDED TO PROVIDE INFORMATION RELATIVE TO THE LOCATION OF PROPERTY OWNERSHIP

	<b>FINAL PROOF SURVEY</b>		
	UNDER: APPLICATION NO. G-11926 PERMIT NO. G-10914		IN THE NAME OF: HELEN BARRUS
	Scale: 4" = 1 MILE	Date: JANUARY 24, 1991	Job: 1120
	Dsn:	<b>M. A. PALMER &amp; SONS, INC.</b> ENGINEERING & SURVEYING 254 N. Alder - Box 61 Burns, Oregon 97720	Sht. No.
Drn: C T P	of 1		
Ckd:			