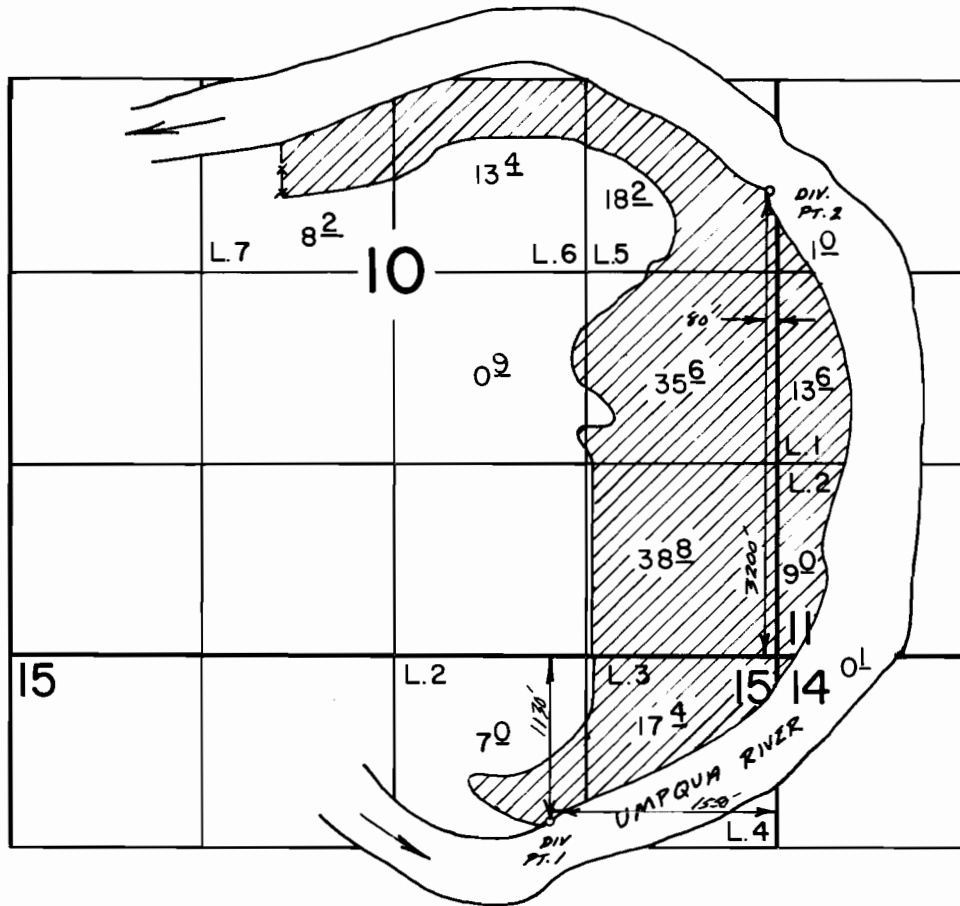


T. 23 S., R. 7 W., W. M.



Scale 1"=1320'



FINAL PROOF SURVEY
UNDER

Application No. 69019. Permit No. 50028..
IN NAME OF

NORTHWEST.....FARM.....CREDIT.....SERVICES, ACA

Surveyed Oct. 10, 1991, by B.S. JAMES....

41019-278-484

4/92