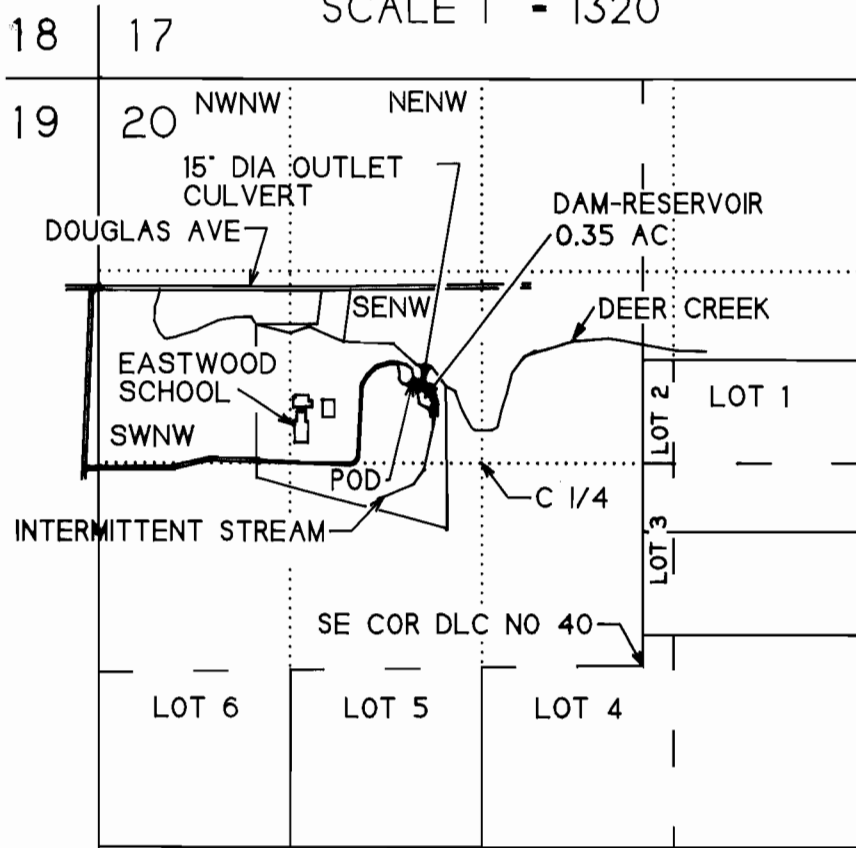


T27S, R5W, WM

SCALE 1" = 1320'



POD (NORTH END OF DAM) IS 570 FT N AND 470 FT W FROM CENTER 1/4 COR SEC 20

FINAL PROOF SURVEY UNDER

Application No. R-70507 Permit No. R-11246

IN NAME OF

EASTWOOD SCHOOL

Surveyed July 24, 1992 by M E Farr

THIS IS A LOCATION MAP FOR A FINAL PROOF SURVEY BY EASTWOOD SCHOOL. THIS MAP IS FOR THE PURPOSE OF IDENTIFYING THE LOCATION OF THE WATER RIGHT ONLY AND IS NOT INTENDED TO PROVIDE LEGAL DIMENSIONS OR LOCATIONS OF PROPERTY LINES.

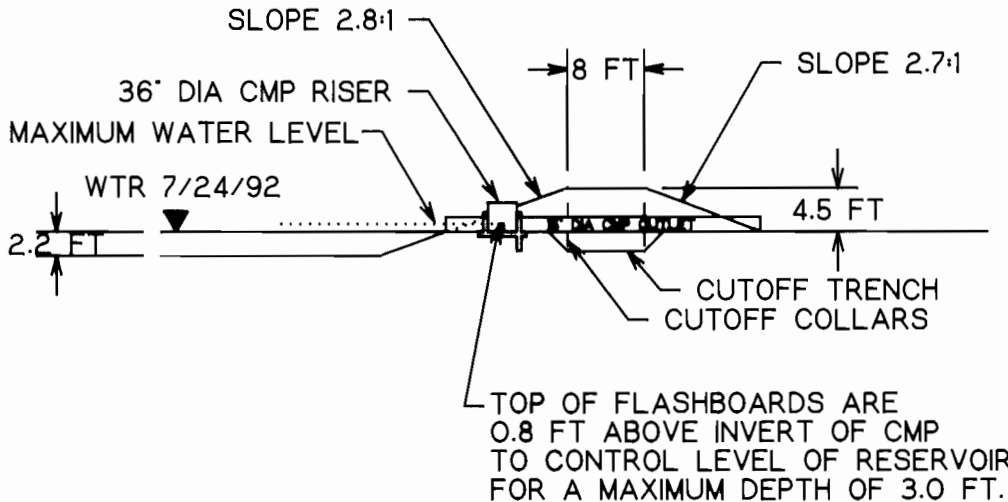


8-92

EASTWOOD SCHOOL RESERVOIR FOR WILDLIFE HABITAT

Section 20, Twp 27S, R5W, WM
Application R-70507 Permit R-11246

SCALE 1" = 20'



TR-55 GRAPHICAL DISCHARGE METHOD, VER 1.11

Drainage Area 6 ac
Runoff Curve Number 82
Time of Concentration 0.17 hr
Rainfall type 1A
Pond and Swamp Area None

TECHNICAL DATA

HYDROLOGIC
Watershed Area 6.0 ac
Estimated run-off 5 cfs
Design frequency 100 yr

RESERVOIR
Capacity 1.25 ac ft
Surface Area 0.35 ac
Mean Depth 1.8 ft

SPILLWAY
Conduit Size 15" CMP
Riser Size 36" CMP
(With flashboards)
Freeboard 3.5 ft +

HYDROLOGY

STORM NUMBER	1	2	3
Frequency (yrs)	10	25	100
24 hr rainfall (in)	3.5	4.0	5.0
Ia/P Ratio	0.13	0.11	0.09
Used	0.13	0.11	0.10
Runoff (in)	1.78	2.20	3.08
Unit Peak Discharge (cfs/ac/in)	0.232	0.239	0.244
Pond and Swamp Factor O.0* used	1.00	1.00	1.00
Peak Discharge (cfs)	2	3	5

