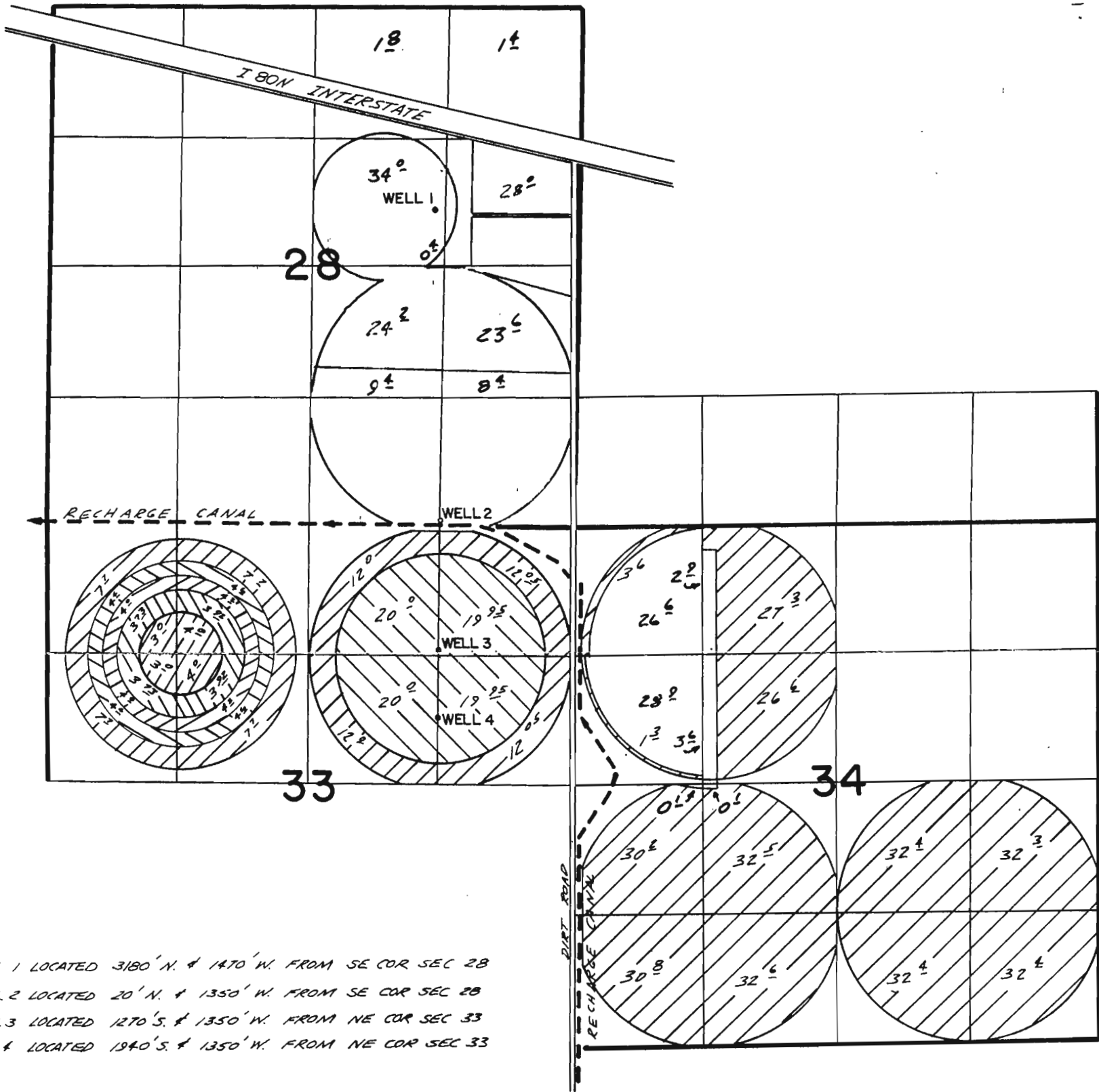



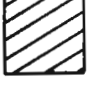




T. 4N. R. 27E. W.M.



WELL 1 LOCATED 3180' N. & 1470' W. FROM SE COR SEC 28
 WELL 2 LOCATED 20' N. & 1350' W. FROM SE COR SEC 28
 WELL 3 LOCATED 1270' S. & 1350' W. FROM NE COR SEC 33
 WELL 4 LOCATED 1940' S. & 1350' W. FROM NE COR SEC 33

- | | | | |
|---|------------|---|--------|
|  | PER G-2822 |  | T-3902 |
|  | T-3903 |  | T-3904 |
|  | T-3905 |  | T-4089 |

FINAL PROOF SURVEY
 UNDER

APPL. G-2831 PER. G-2822
TRANSFERS

3902 3903 3904
 3905 4089

IN NAME OF

12H, INC.

SURVEYED 8-2 1978, BY R. BARWIN