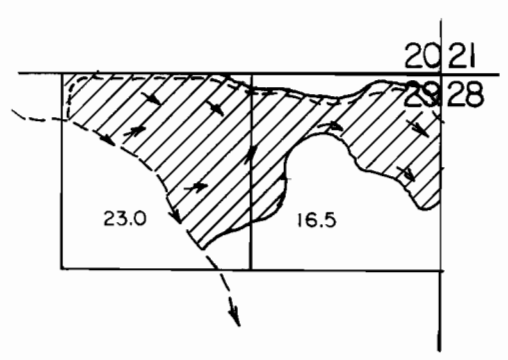
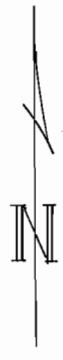


SCALE 2" = 1 mile

T. 19 S., R. 34 E., W.M.



SCALE 4" = 1 mile

	FINAL PROOF SURVEY		UNDER APPLICATION NO. 69329 PERMIT NO. 51030	IN THE NAME OF JOHN & ELFREDA SWORD
	Scale: as noted	Date: Sept. 1991	Job: 1156-B	
	Dsn:	M. A. PALMER & SONS, INC. ENGINEERING & SURVEYING 254 N. Alder - Box 61 Burns, Oregon 97720	Sht. No.	
	Drn: C.T.P.		of 1	
Ckd:				