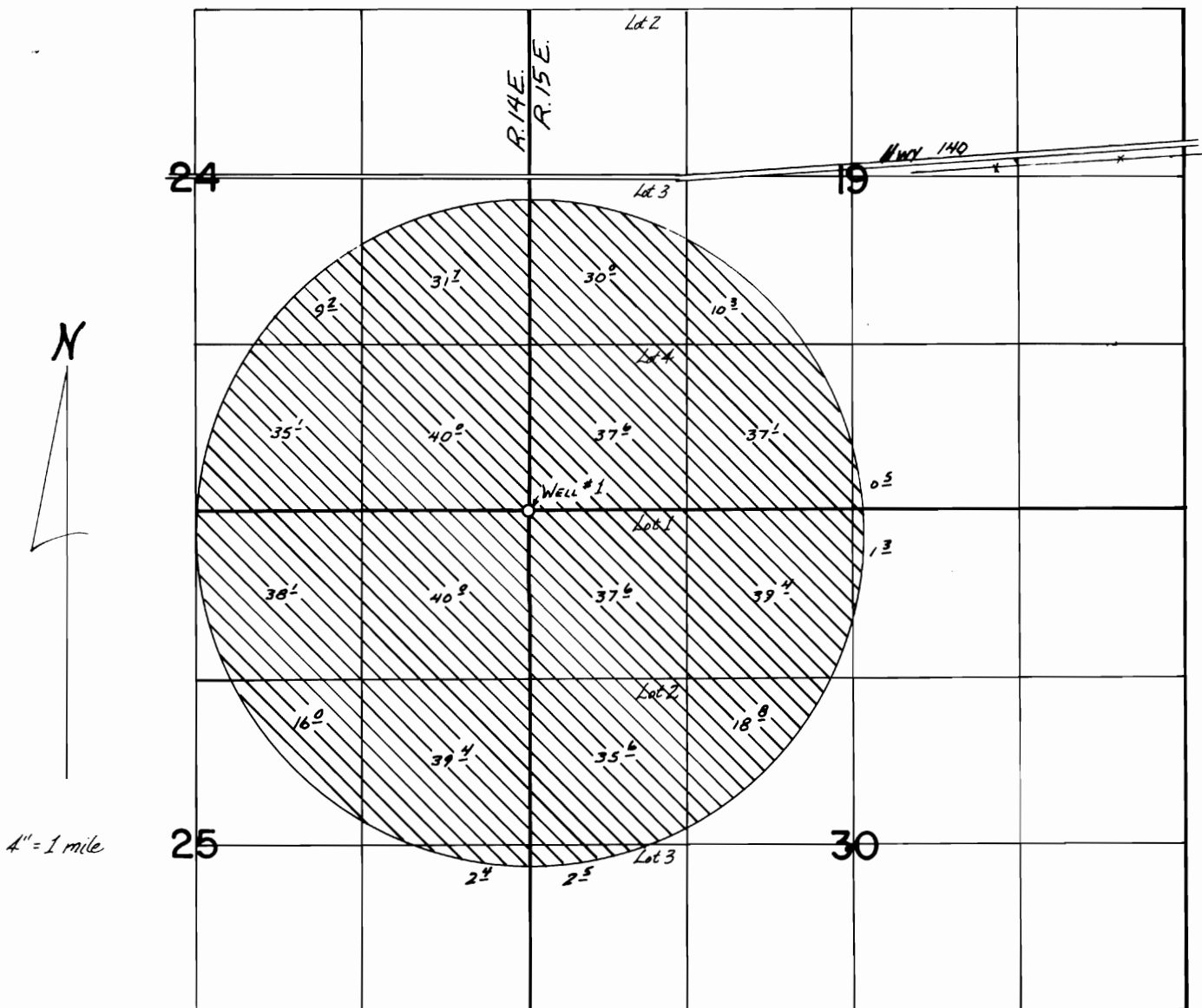


T.28S.,R.14&15E.,W.M.



FINAL PROOF SURVEY
UNDER

Application No. G-7693 Permit No. G-7242
IN NAME OF

EMERY LIVESTOCK CO.

Surveyed May 14, 1984 by DENNIS GLENDER