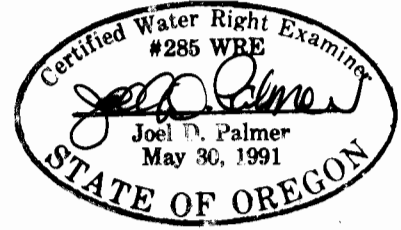


FINAL PROOF SURVEY

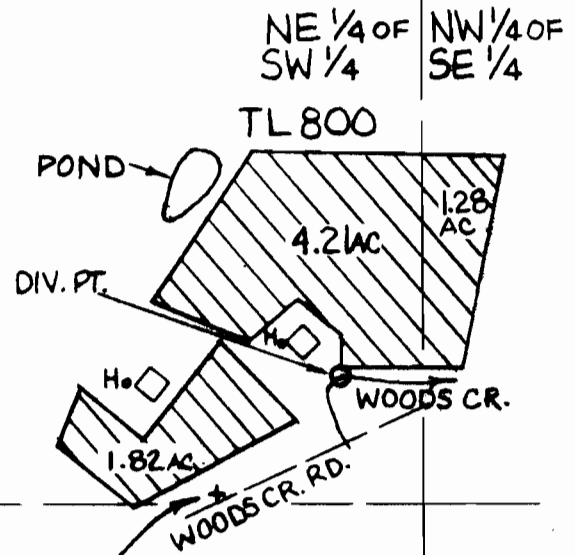
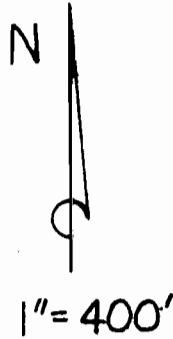
UNDER
APPLICATION 69259 PERMIT 50147

IN THE NAME OF
ROBERT W. BRITTIN
OCTOBER 28, 1992



THIS MAP IS FOR LOCATION
OF WATER RIGHTS ONLY AND
DOES NOT CONSTITUTE A
BOUNDARY SURVEY.

PREPARED BY
PALMER ENGINEERING
503-752-3367



2474'

1591'

FOUND MONUMENT
3/4" IRON ROD
BASIS OF BEARINGS
BENTON CO. CS 8478

SEC 5

SEC 4

SEC 8

SEC 9

T12S, R6W, W.M.