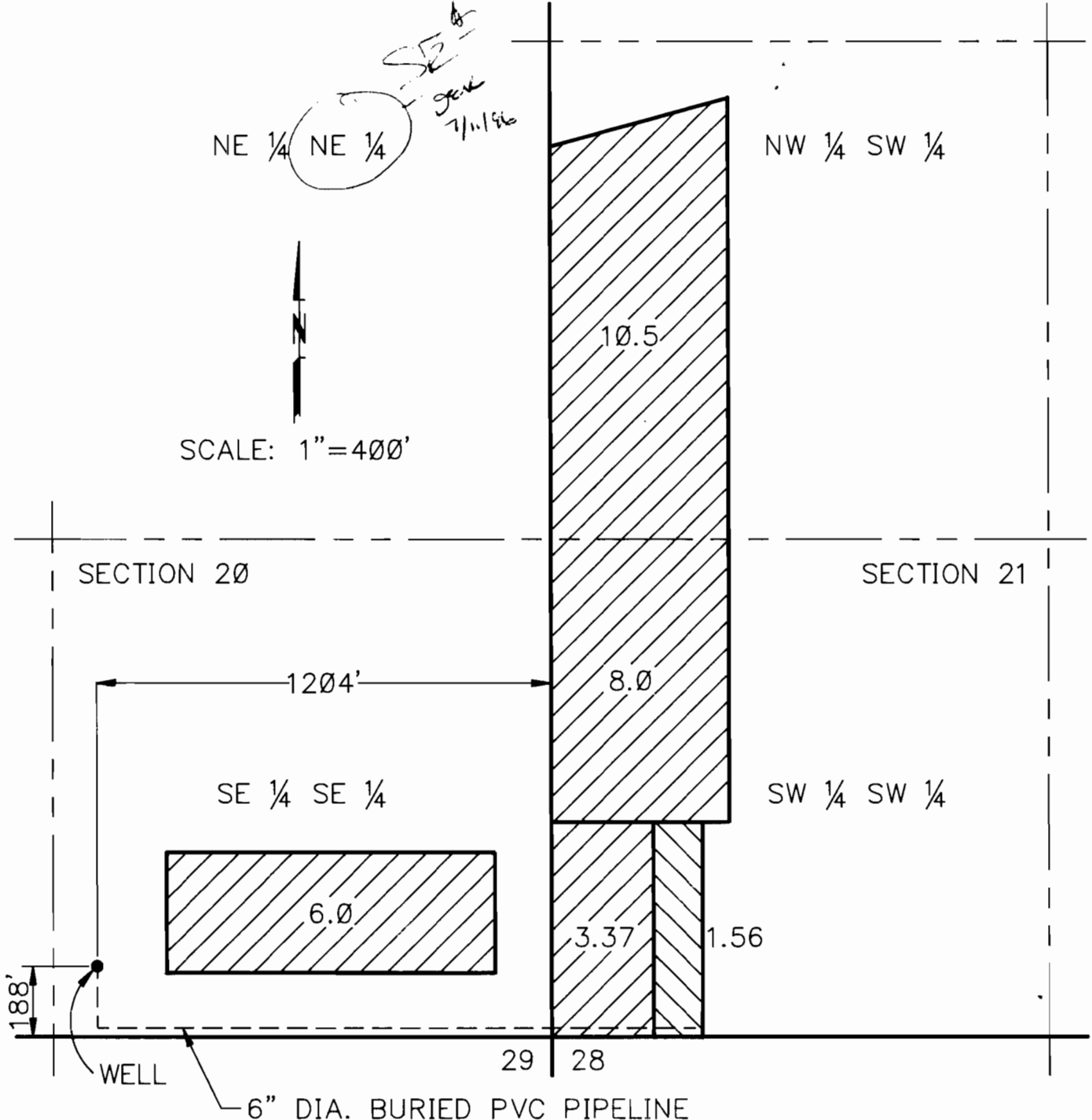


T.2S., R.1W., W.M.

NE 1/4 NE 1/4
SE 1/4
7/11/93



SCALE: 1"=400'



FINAL PROOF SURVEY UNDER

Application No.G-11863 Permit No.G-10900

GARY WHITE
Sherwood, Oregon
Surveyed AUGUST 25, 1993

8/31/93