

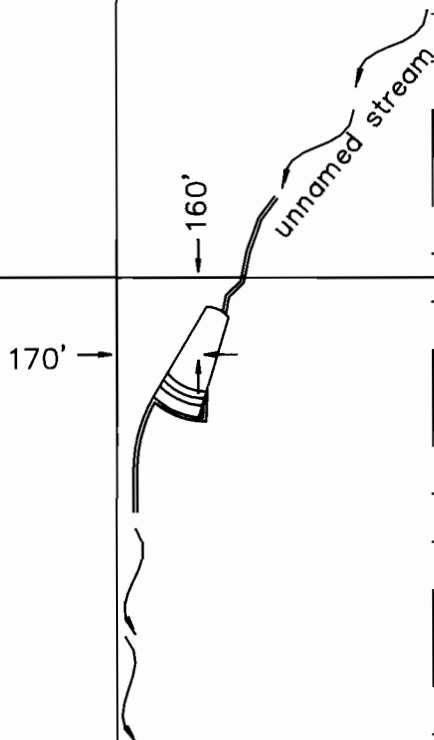
T. 6 S., R. 7 W., W.M.

36 31

1 6

Location: The SE 1/4 of the  
NW 1/4 of Section 6.  
T. 6 S., R. 7 W.,  
Yamhill Co., OR

Date: 18 Aug. 1992



By: Matt Dunckel & Assoc.  
19010 Baker Creek Road  
McMinnville, OR 97128  
Phone: 472-7904

Scale: 1" = 400'

Hebo Road

centerline Section 6

FINAL PROOF SURVEY

UNDER

Application No. R-71105 Permit No. R-11373

IN NAME OF

HARRY D. REHN

Surveyed July 17, 1992