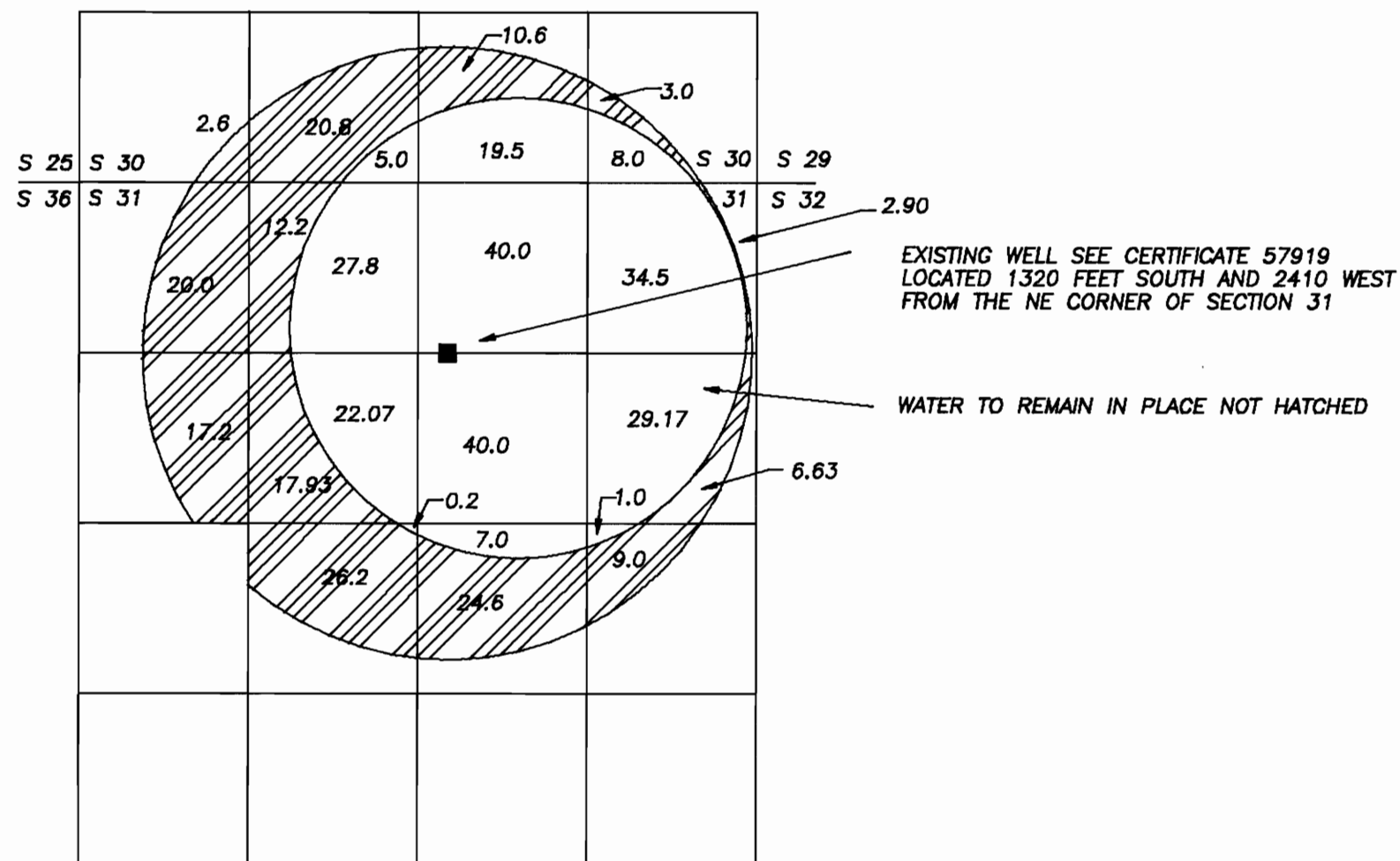
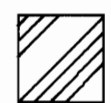
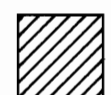


C-41-2

EXISTING PLACE OF USE
SECTION 30 AND 31 TOWNSHIP 26 SOUTH RANGE 15 EAST
UNDER CERTIFICATE 57919 IN THE NAME OF
ROBERT R. TUTTLE
P.O. BOX 100
FORT ROCK, OREGON 97735



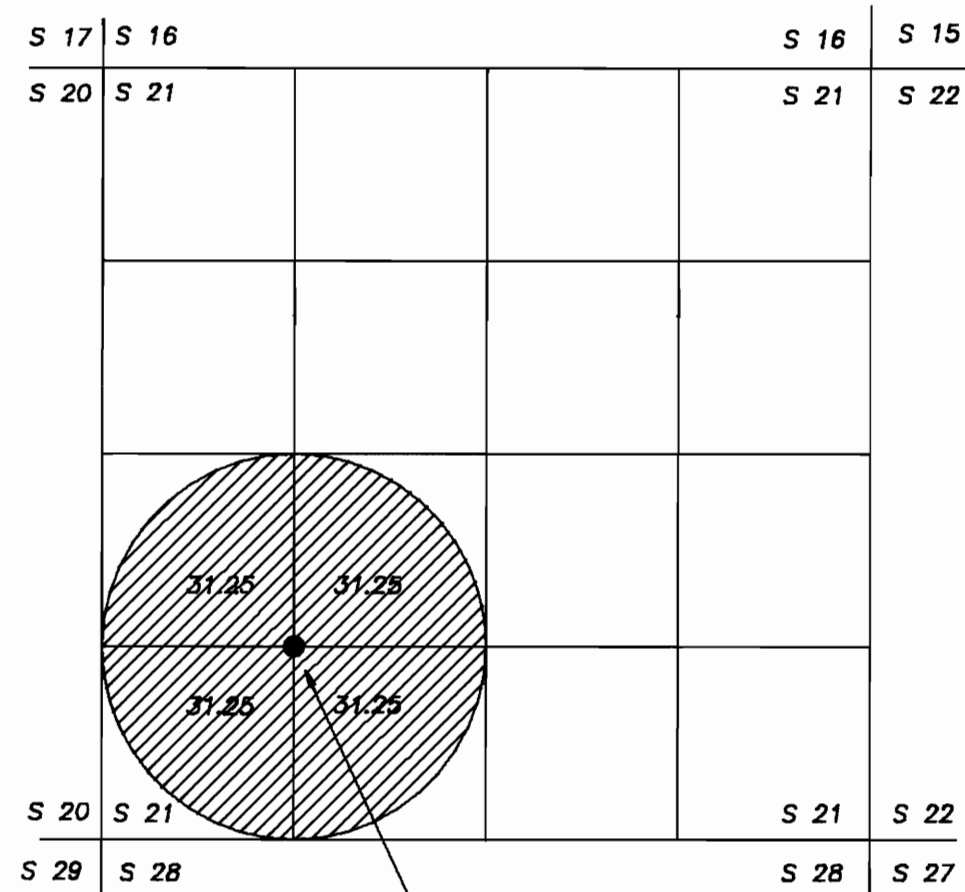
EXISTING LOCATION OF WATER UNDER CERTIFICATE 57919
TOTAL ACRES UNDER CERTIFICATE 57919 IS 407.90
ACRES TRANSFERRED ARE 173.65
ACRES REMAINING ARE 234.24

-  INDICATES ARE OF EXISTING WATER USE TO BE TRANSFERRED TO DIFFERENT PLACE OF USE
-  INDICATES NEW PLACE OF USE FOR WATER BEING TRANSFERRED TO

MAP TO ACCOMPANY TRANSFER APPLICATION
TO MOVE A PORTION OF EXISTING WATER RIGHTS
TO 2 NEW LOCATIONS WITH 2 ADDITIONAL POINTS
OF DIVERSION

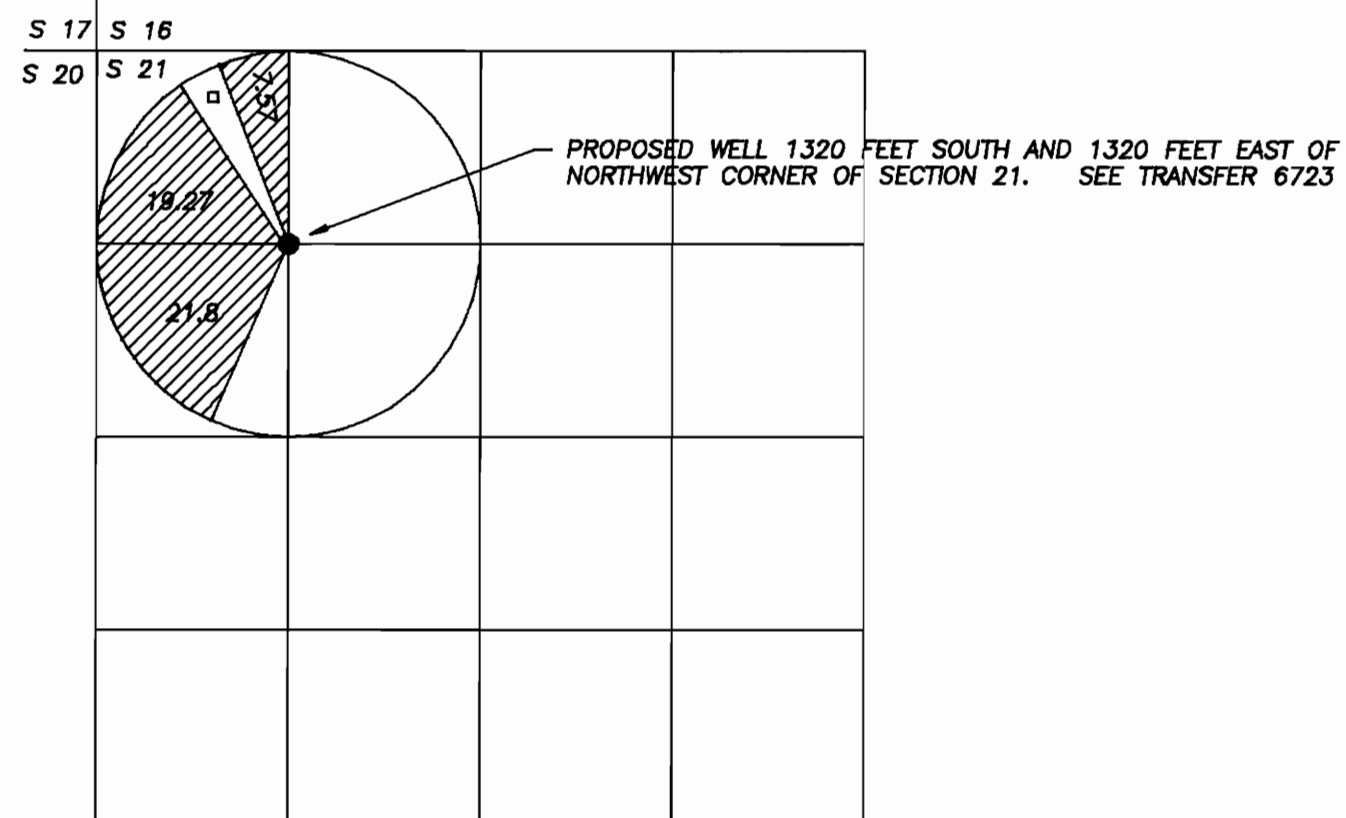
PREPARATION OF THIS MAP IS FOR IDENTIFYING WATER RIGHTS ONLY. IT HAS
NO INTENT TO PROVIDE LOCATIONS OR DIMENSIONS OF PROPERTY BOUNDARIES.

SECTION 21 TOWNSHIP 25 SOUTH RANGE 14 EAST
PORTION OF WATER BEING TRANSFERRED TO
DAVE PICK
125 ACRES TOTAL



NEW WELL TO BE CONSTRUCTED
LOCATED 1320 FEET NORTH AND 1320 FEET EAST
OF THE SOUTHWEST CORNER OF SECTION S21
PROPOSED WELL FLOW 1000 G.P.M.
PROPOSED USE CROP IRRIGATION

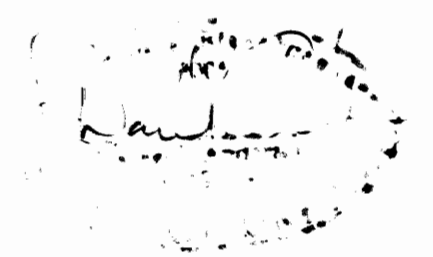
SECTION 21 TOWNSHIP 26 SOUTH RANGE 15 EAST
AREA BEING TRANSFERRED TO DINSDALE
48.6 ACRES TOTAL



PROPOSED WELL 1320 FEET SOUTH AND 1320 FEET EAST OF
NORTHWEST CORNER OF SECTION 21. SEE TRANSFER 6723



SCALE 1" = 1320'



PREPARED FOR:
ROBERT E. TUTTLE
FORT ROCK, OREGON 97735
(503) 576-2289

ANDERSON ENGINEERING AND SURVEYING
P.O. BOX 28
HC 64 BOX 24 HIGHWAY 395 NORTH
LAKEVIEW, OREGON 97630
(503) 947-4407 FAX 947-2321
JANUARY 1994 SHEET 1 OF 1

T 7136