

T. 14 S., R. 12 E., Wm.

1" = 400'

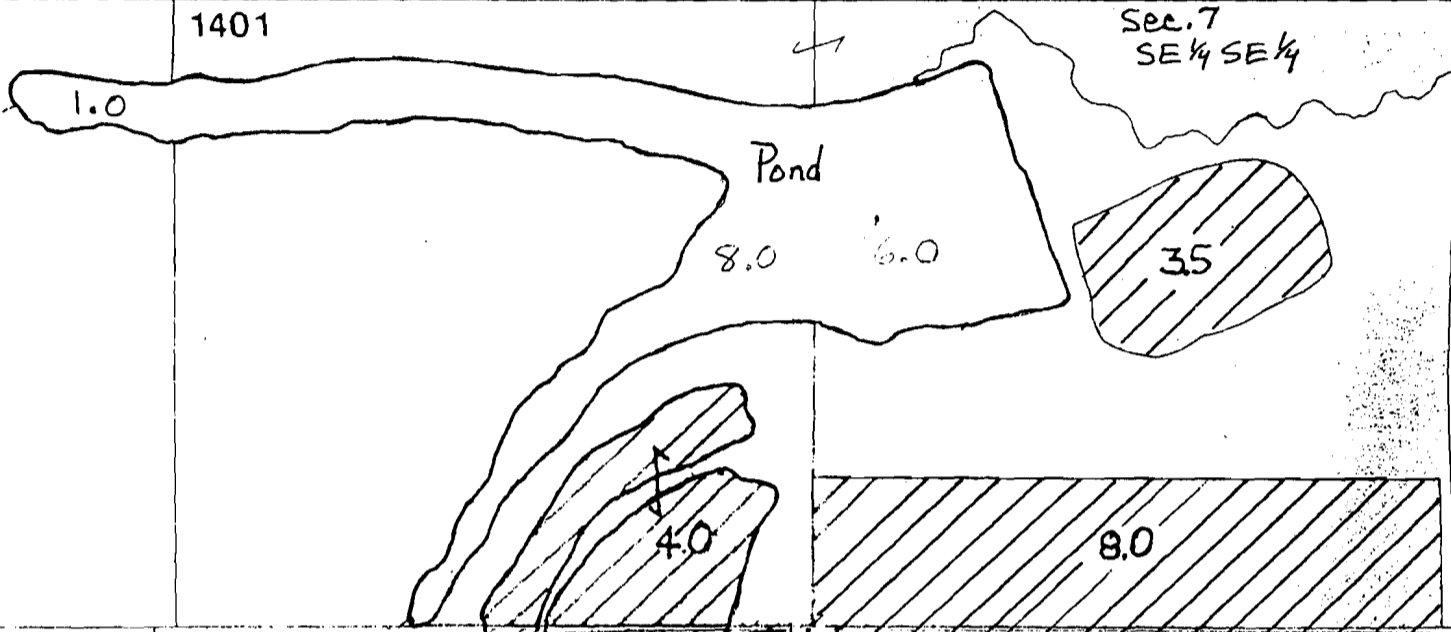


Sections 7 + 18

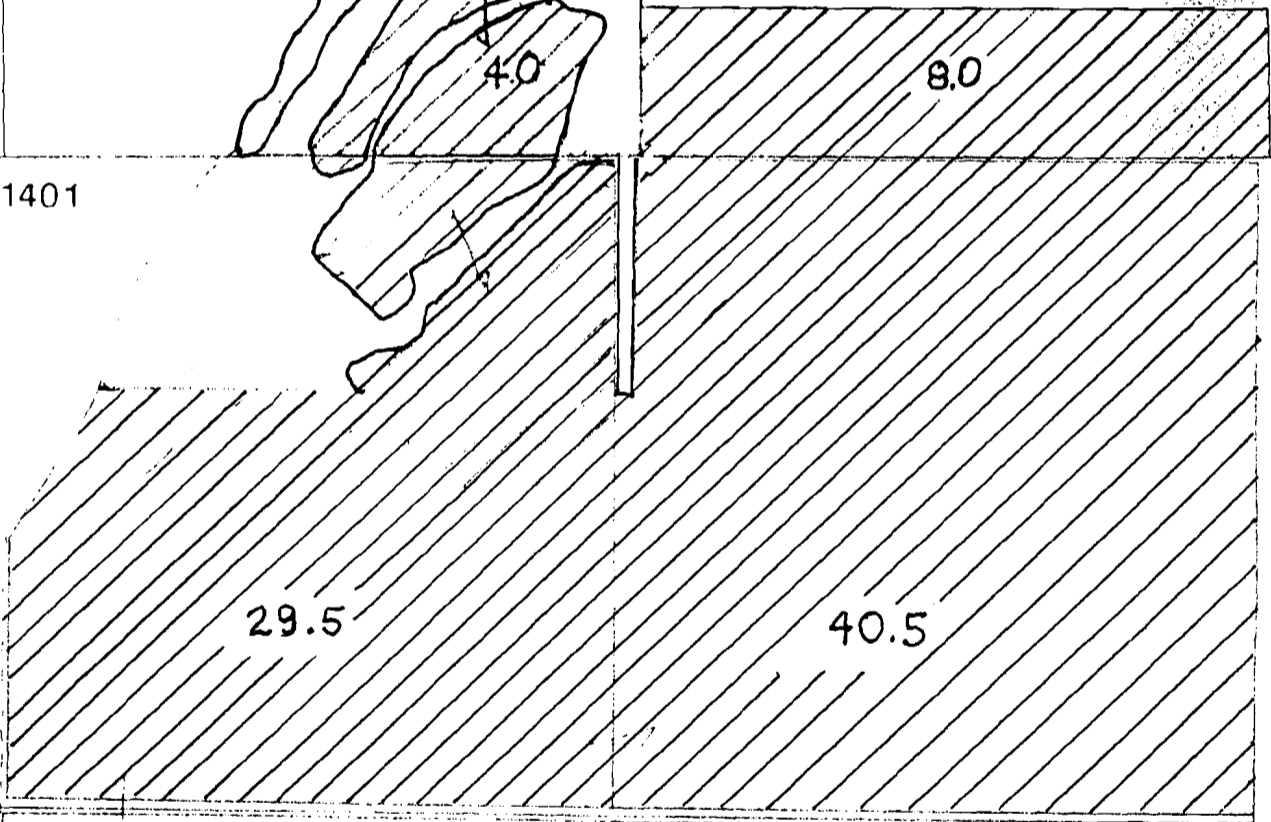
Final proof map for 85.5 acres
supplemental irrigation and pond
maintenance under permit G-8683.
Use under this permit was confirmed
at the approval of Squaw Creek Irrigation
District's Remapping Petition
Bob main (OWRD)
March 5, 1997

1401

Sec. 7
SE 1/4 SE 1/4



1401



Section 18 SE 1/4 NE 1/4

1 of 2
G-8683

T14 S., R. 12 E. W.M.
 Application for Supplemental
 from existing Well No 9 located
 20' south, 980' west of NW corner
 of SW 1/4, NW 1/4 section 17

McKenzie Canyon

Application No. G 9442
 Permit No. G 8683

18

Deep Canyon Reservoir

DO NOT REMOVE

REPLACED BY HBF3111 MAP
 # 2 of 2
 2 8683

