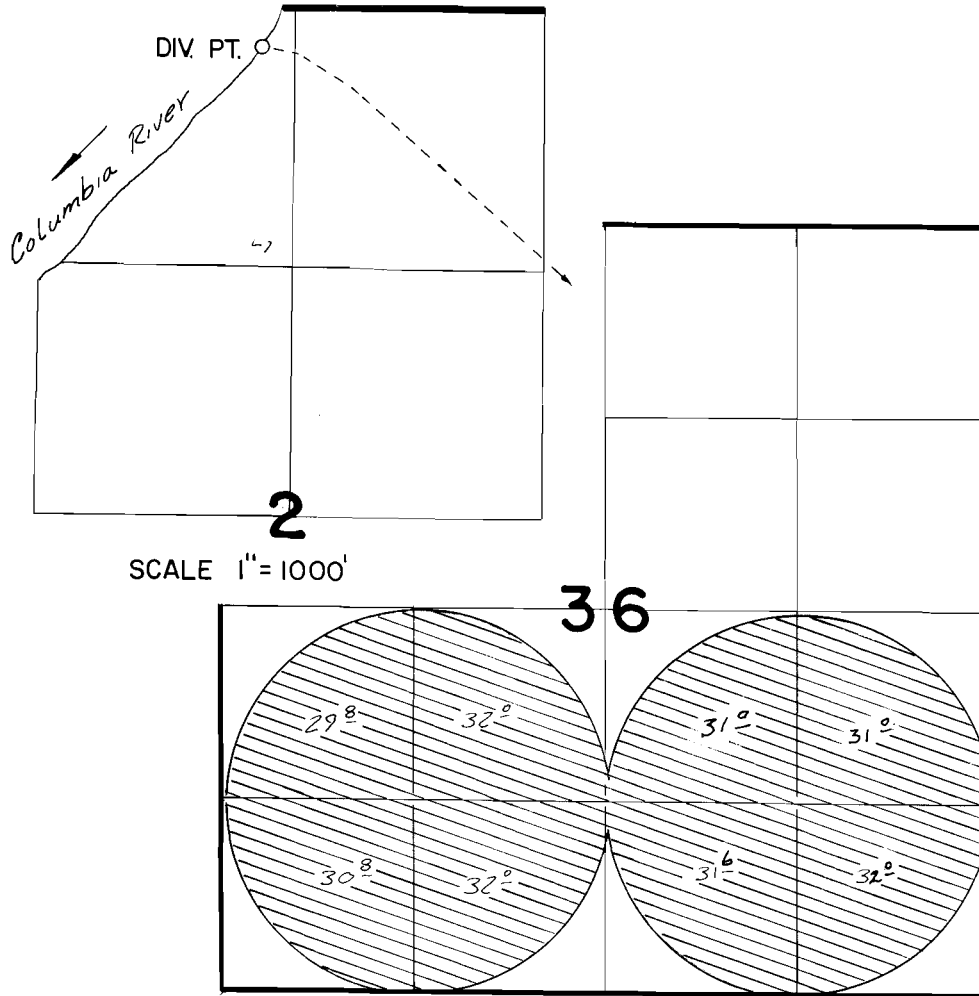


# T. 4N. R. 26E. W.M.

T. 4N. R. 25E. W.M.



DIV. PT. LOC. S.86° 22' 46" W. 2811.00 FT. FROM N.E. COR. SEC 2

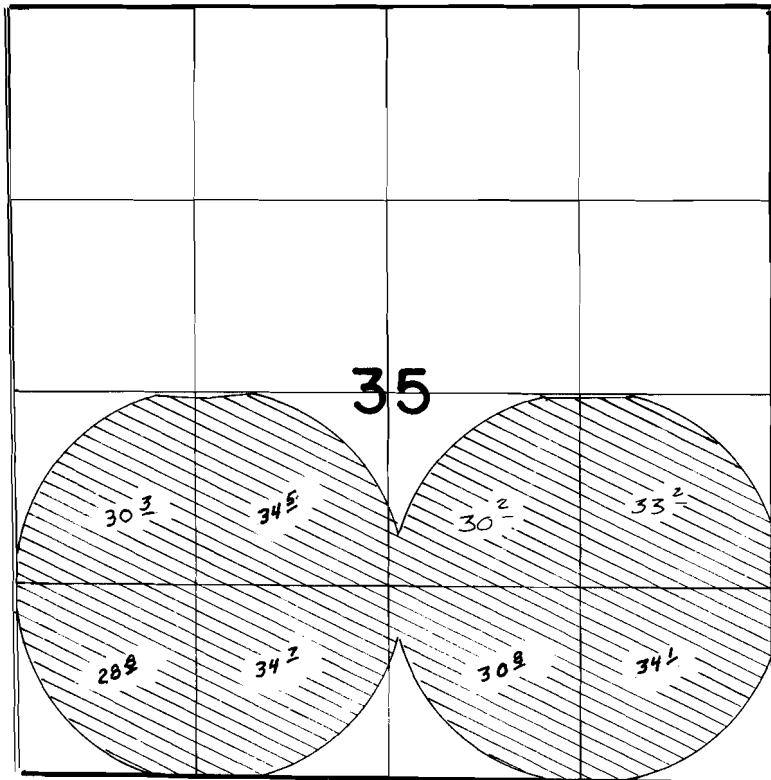
## FINAL PROOF SURVEY UNDER

Application No. 50771... Permit No. 36940.  
IN NAME OF

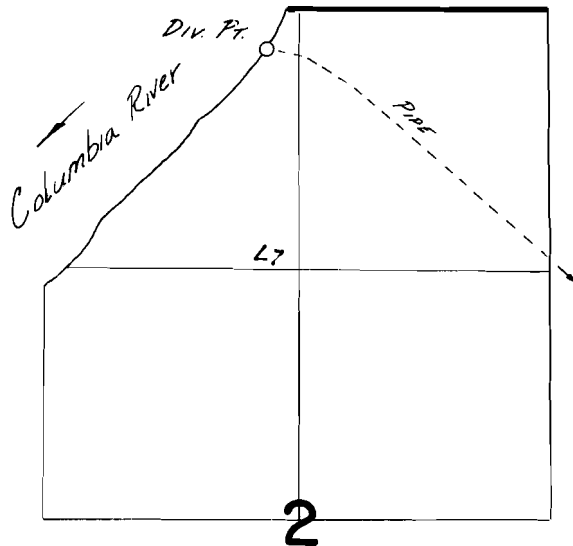
..... OSCAR PETERSON .....

Surveyed 10-10..... 1972, by V. Church.....

T. 4N., R. 26E., W. M.



T. 4N., R. 25E., W.M.



SCALE 1" = 1000'

Div. Pt. Loc: S86° 22' 46" W. 2811.00 Ft. From  
NE Cor. Sec. 2

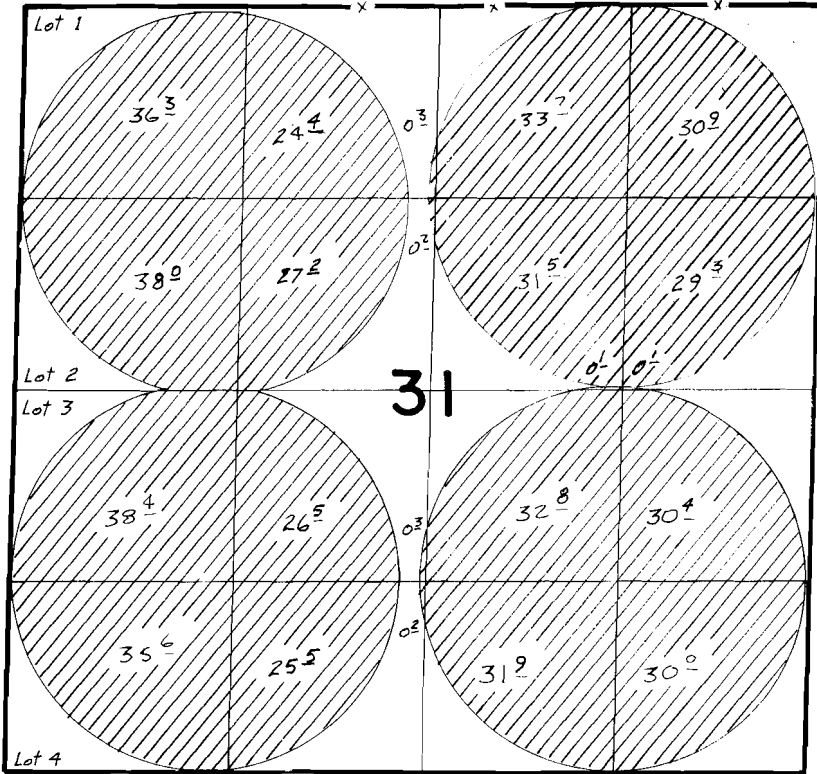
**FINAL PROOF SURVEY**  
UNDER

Application No. **50771**. Permit No. **36940**...  
IN NAME OF

**PAUL C. & ANN R. CIMMIYOTT!**

Surveyed 7-27..... 1978., by *R. F. Barwin*.....

T.4N., R.27E., W. M.



Div. Pt. Loc. 20'S. of 1985' N. FROM NE COR. SEC 2  
T.4N., R. 25E.

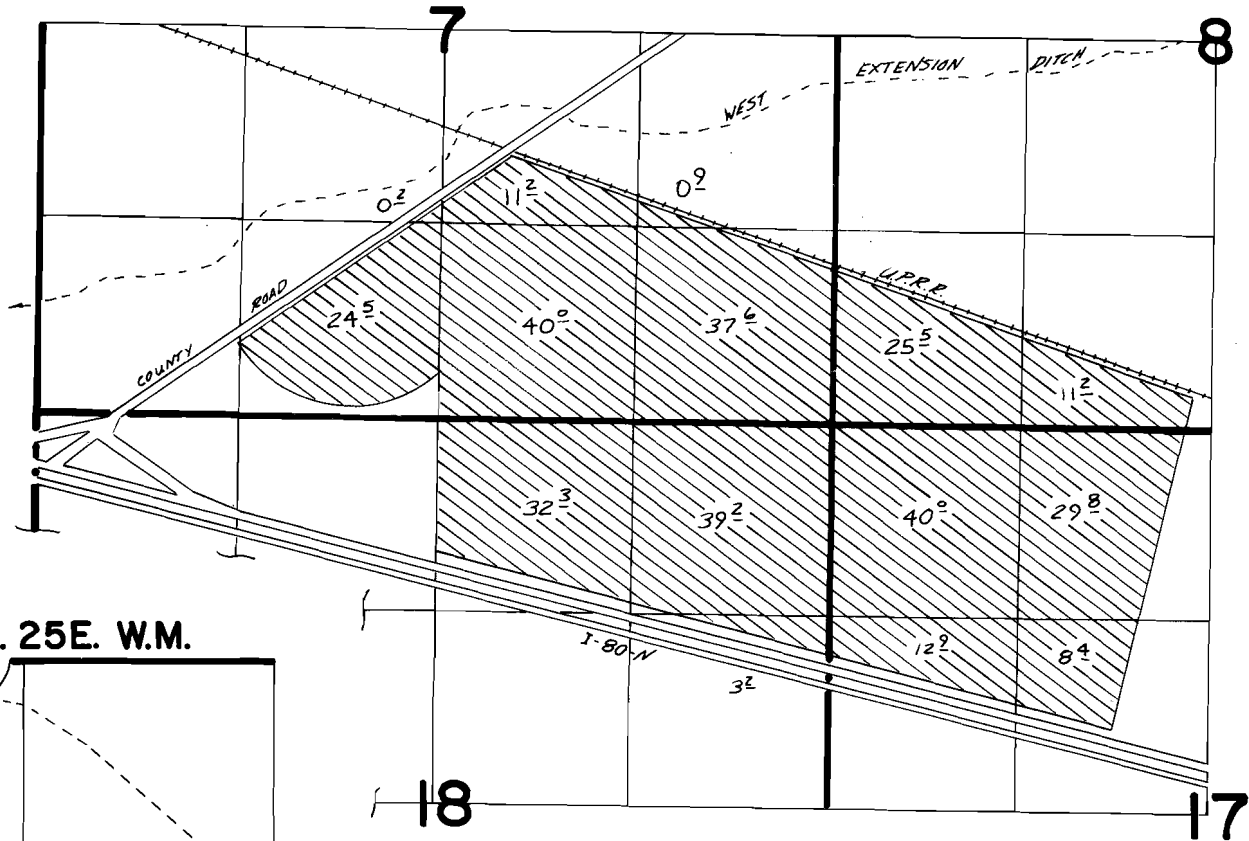
**FINAL PROOF SURVEY**  
UNDER

Application No. 50771... Permit No. 36940.....  
IN NAME OF

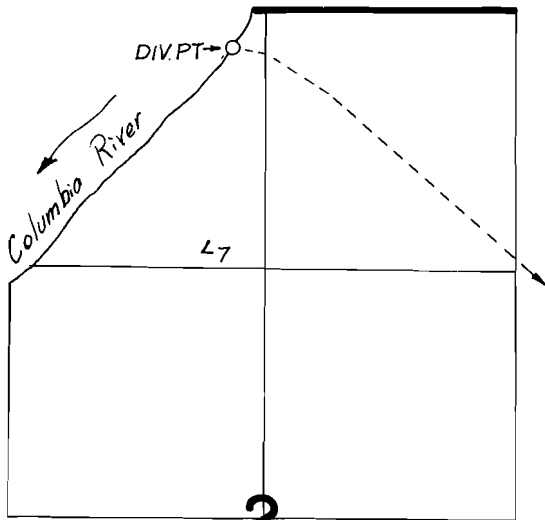
.....FRED W., JUDY, & BARBARA ANDREWS.

Surveyed Oct. 10, 1979, by H. L. Church.....  
MARCH 18 83

T. 4N. R. 26E. W.M.



T. 4N. R. 25E. W.M.



DIV. PT. LOC. S.86° 22' 46" W. 2811.00 FT. FROM N.E. COR. SEC 2

SCALE 1" = 1000'

**FINAL PROOF SURVEY**  
UNDER

Application No. 57701..... Permit No. 36940.....  
IN NAME OF

.....**PAUL T. & ESTHER J. JASA**.....

Surveyed 11-13..... 1978... by V. CHURCH.....

T.4N.R.26 E.W.M.

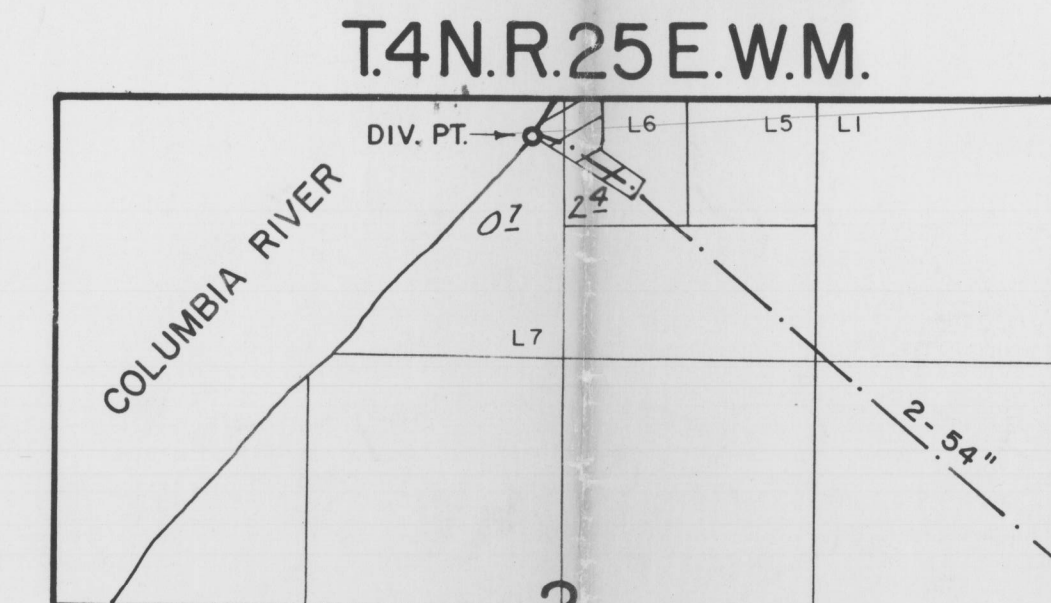
EASTERN OREGON FARMING COMPANY

FINAL PROOF SURVEY

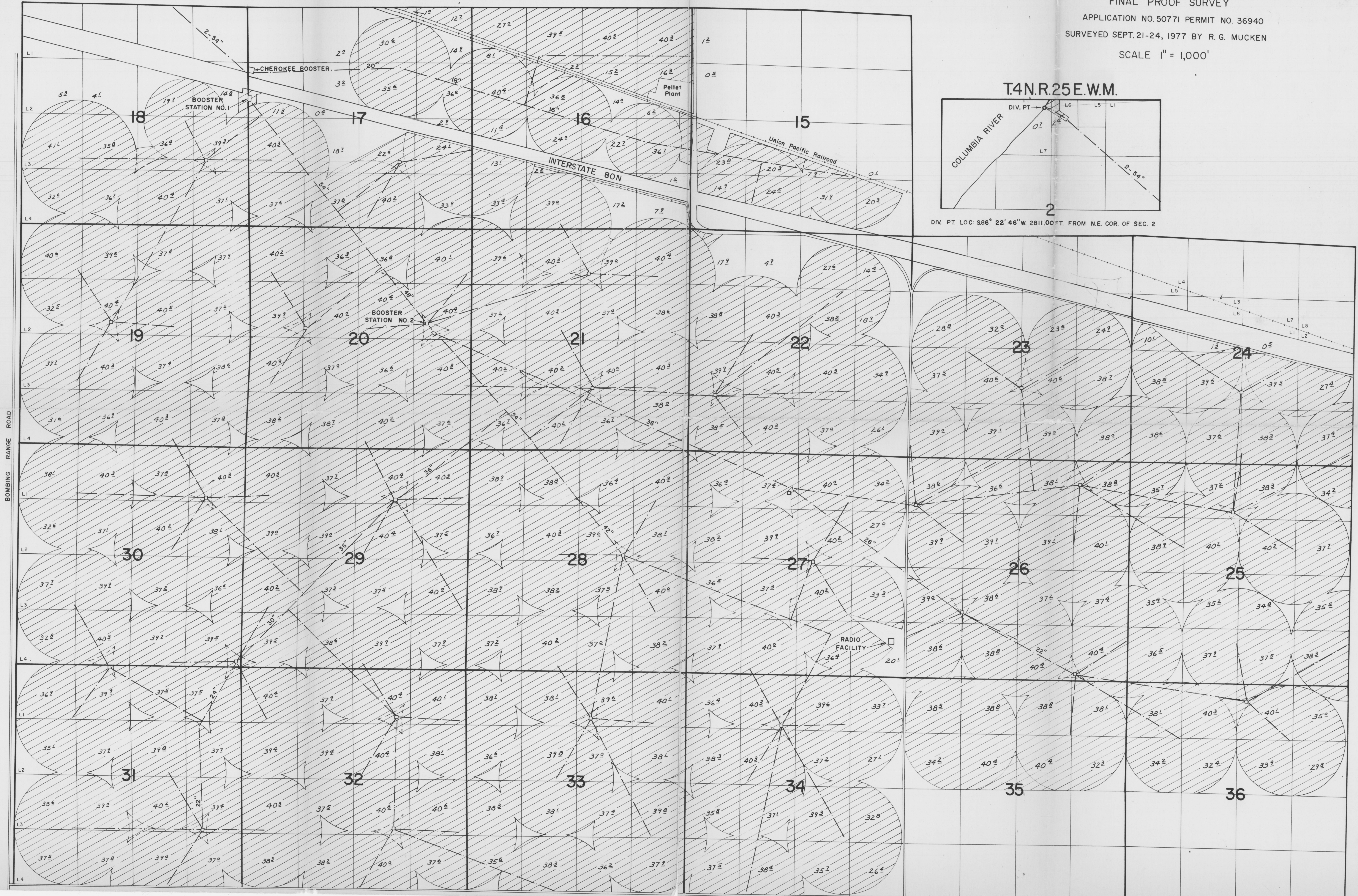
APPLICATION NO. 50771 PERMIT NO. 36940

SURVEYED SEPT. 21-24, 1977 BY R. G. MUCKEN

SCALE 1" = 1,000'



DIV. PT. LOC: S86° 22' 46" W. 2811.00 FT. FROM N.E. COR. OF SEC. 2



BOMBING RANGE ROAD