

RECEIVED

FEB 25 1999

WATER RESOURCES DEPT.
SALEM, OREGON

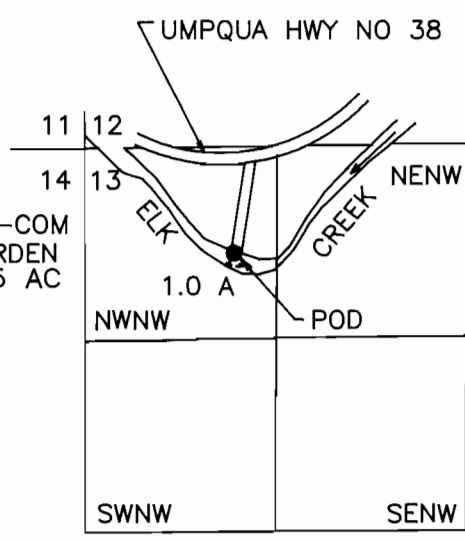
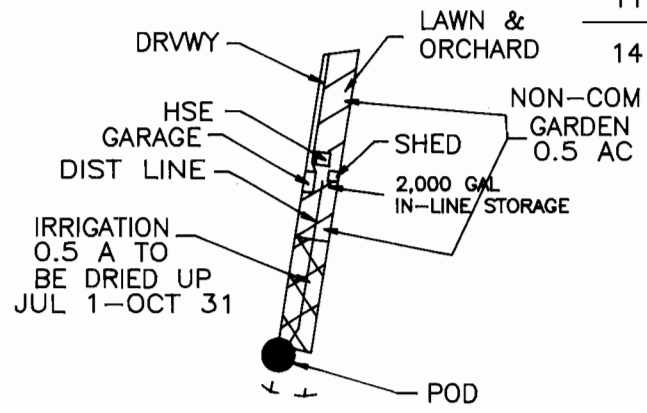
T 22 S, R 6 W, WM

SCALE 1" = 1320'

DOUGLAS COUNTY

LOT DETAIL

SCALE 1" = 400'



POD IS 710 FT S AND 1010 FT E FROM NW COR SECT 13

MERRILL H & CAROLYN H YOUNG
2660 HIGHWAY 38
DRAIN, OR 97435

MAURICE E FARR
CERTIFIED WATER RIGHT EXAMINER
395 NE KIRBY AVENUE
ROSEBURG, OR 97470

FINAL PROOF SURVEY
UNDER

Application No. S-70733 Permit No. 51757

IN NAME OF

MERRILL H & CAROLYN H YOUNG

Surveyed October 15, 1998 by M E Farr

THIS IS A LOCATION MAP FOR A FINAL PROOF SURVEY BY MERRILL H & CAROLYN H YOUNG. THIS MAP IS FOR THE PURPOSE OF IDENTIFYING THE LOCATION OF THE WATER RIGHT ONLY AND IS NOT INTENDED TO PROVIDE LEGAL DIMENSIONS, OR LOCATIONS OF PROPERTY OWNERSHIP LINES.

Certified Water Right Examiner
#048 WRE
Maurice E. Farr
Maurice E. Farr
Nov. 19, 1987
STATE OF OREGON 1-99
EXPIRES 12-31-99