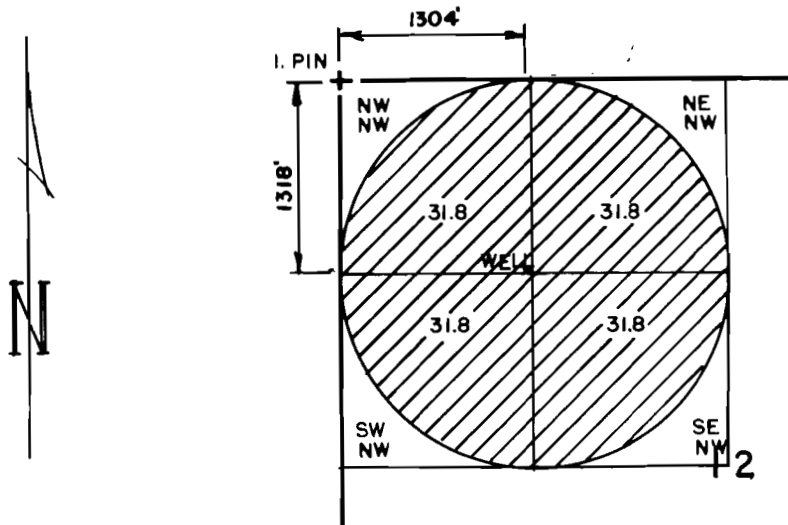


T 26 S north of Malheur Lake, R 30 E, WM



RECEIVED

JUL 30 1998

WATER RESOURCES DEPT.
SALEM, OREGON

THE PURPOSE OF THIS MAP IS TO IDENTIFY THE LOCATION OF THE WATER RIGHT. IT IS NOT INTENDED TO PROVIDE INFORMATION RELATIVE TO THE LOCATION OF PROPERTY OWNERSHIP.

	FINAL PROOF SURVEY		IN THE NAME OF JOSEPH R. & LOIS E. ECKLEY
	UNDER APPLICATION G-13437 PERMIT G-12703		
	Scale: 4" = 1 MILE	Date: MAY 10, 1998	Job: 1277-98
	Dsn:		Sht. No.
Drn: CHRIS	of 1		
Ckd:	M. A. PALMER & SONS, INC. ENGINEERING & SURVEYING 254 N. Alder - Box 61 Burns, Oregon 97720		