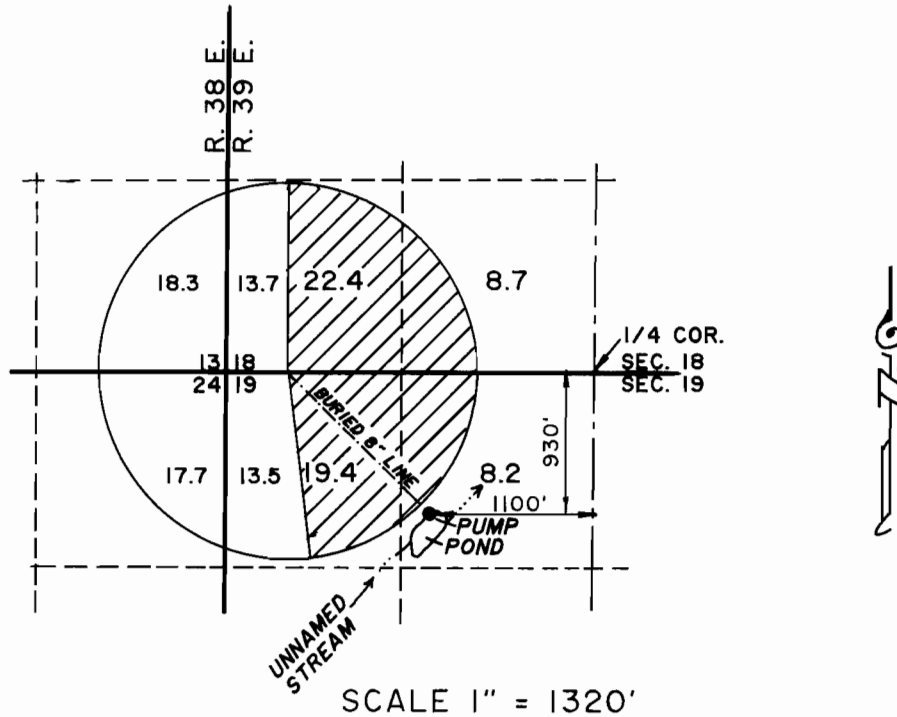


RECEIVED

T. 8 S., R. 39 E., W.M.

AUG 1 0 1998

WATER RESOURCES DEPT.
SALEM, OREGON



THE PURPOSE OF THIS MAP IS FOR IDENTIFYING THE LOCATION OF THE WATER RIGHT ONLY AND IS NOT INTENDED TO PROVIDE LEGAL DIMENSIONS OF PROPERTY OWNERSHIP LINES.

FINAL PROOF SURVEY

Application No. 69193 Permit No. 51398

IN NAME OF

TIM L. KERNS

Surveyed March 12 1993

