

RECEIVED

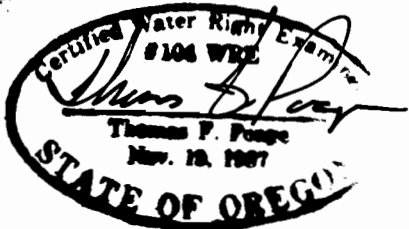
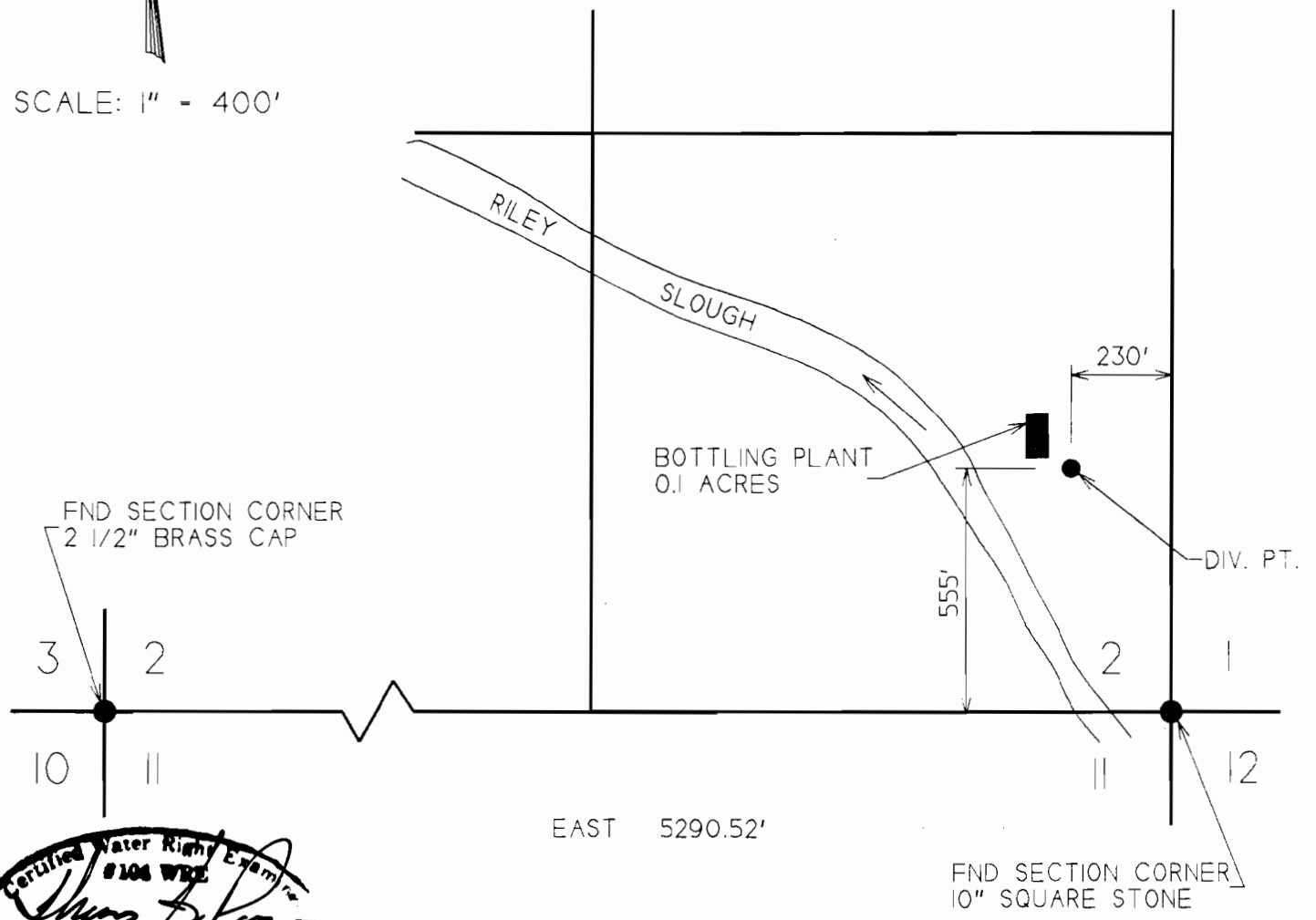
NOV 1 2 1997

T 16 S, R 4 W, W.M. WATER RESOURCES DEPT
SALEM, OREGON



THE PURPOSE OF THIS MAP IS TO IDENTIFY THE LOCATION OF THE WATER RIGHTS. IT IS NOT INTENDED TO PROVIDE INFORMATION RELATIVE TO THE LOCATION OF PROPERTY OWNERSHIP BOUNDARY LINES.

SCALE: 1" = 400'



**FINAL PROOF SURVEY
UNDER**

APPLICATION NO. G-13049 PERMIT NO. G-11835

IN NAME OF

FRANK WRIGHT

SURVEYED JULY 29, 1997 BY TFP
CADD FILE: 1610PROF.GCD

DRAWN: 8/7/97 DPS
REVISED: 11/5/97 DPS