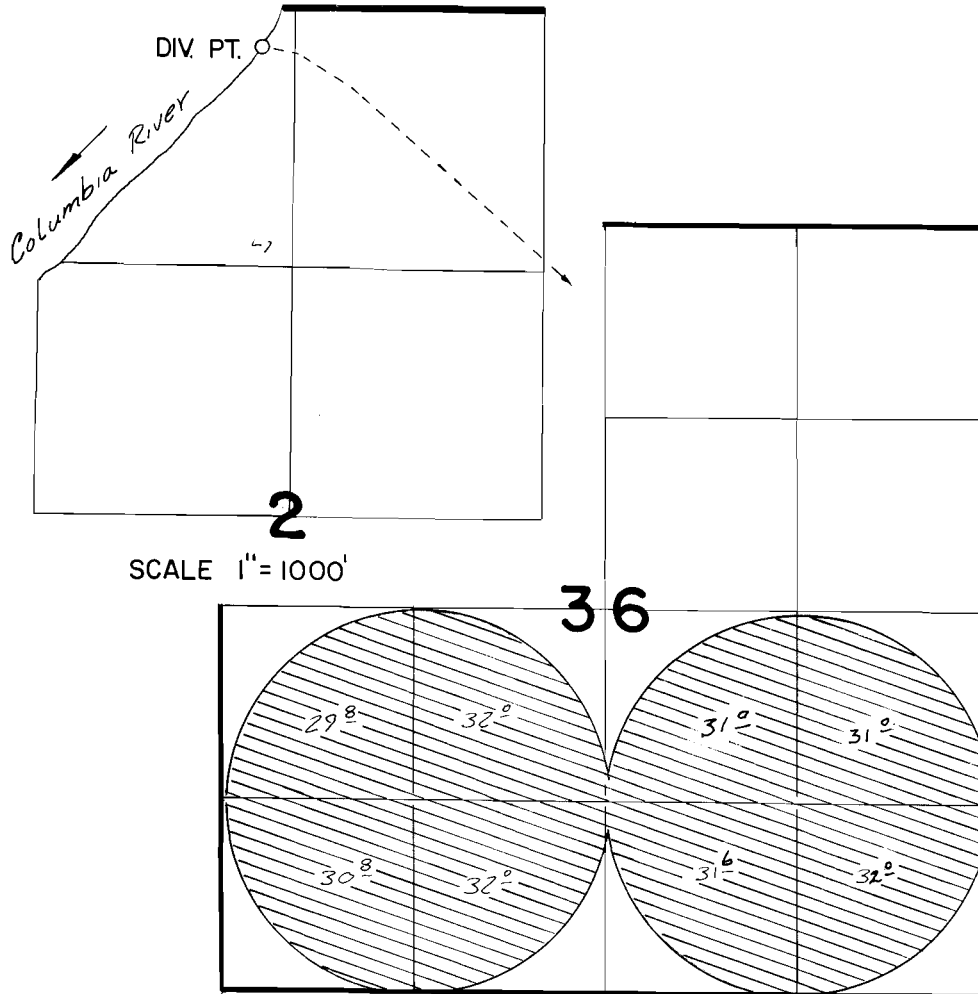


T. 4N. R. 26E. W.M.

T. 4N. R. 25E. W.M.



SCALE 1" = 1000'

DIV. PT. LOC. S. $86^{\circ} 22' 46''$ W. 2811.00 FT. FROM N.E. COR. SEC 2

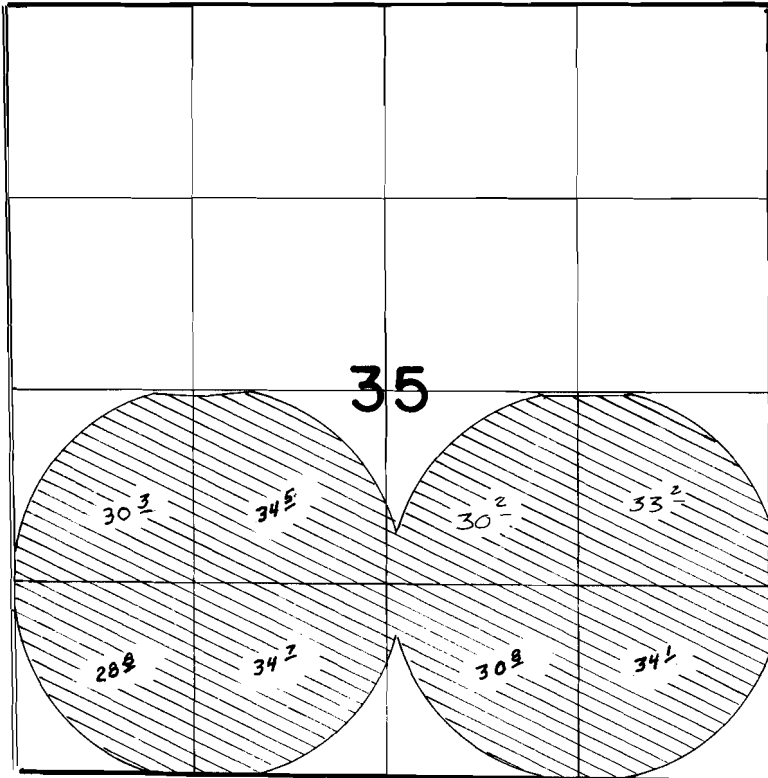
FINAL PROOF SURVEY UNDER

Application No. 50771... Permit No. 36940.
IN NAME OF

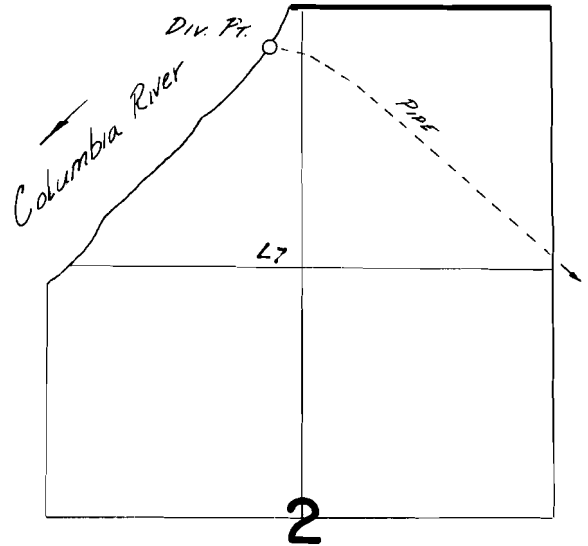
..... OSCAR PETERSON

Surveyed 10-10..... 1979.. by V. Church.....

T. 4N., R. 26E., W. M.



T. 4N., R. 25E., W.M.



SCALE 1" = 1000'

Div. Pt. Loc: S86° 22' 46" W. 2811.00 Ft. From
NE Cor. Sec. 2

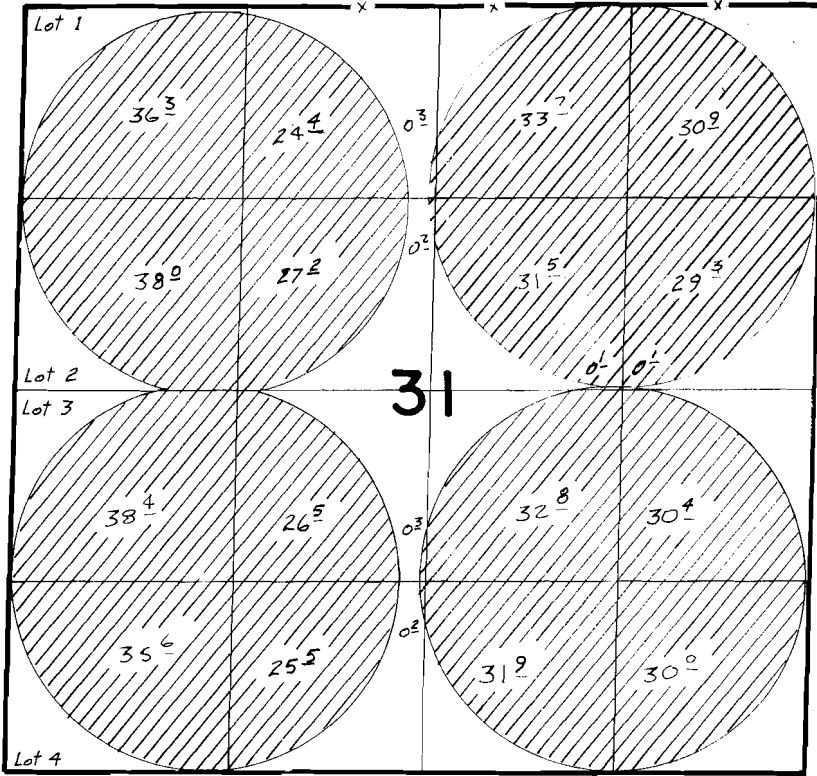
FINAL PROOF SURVEY
UNDER

Application No. **50771**. Permit No. **36940**...
IN NAME OF

PAUL C. & ANN R. CIMMIYOTT!

Surveyed 7-27..... 1978., by *R. F. Barwin*.....

T.4N., R.27E., W. M.



Div. Pt. Loc. 20'S. of 1985' W. FROM NB COR. SEC 2
T.4N., R. 25E.

FINAL PROOF SURVEY
UNDER

Application No. 50771... Permit No. 36940.....
IN NAME OF

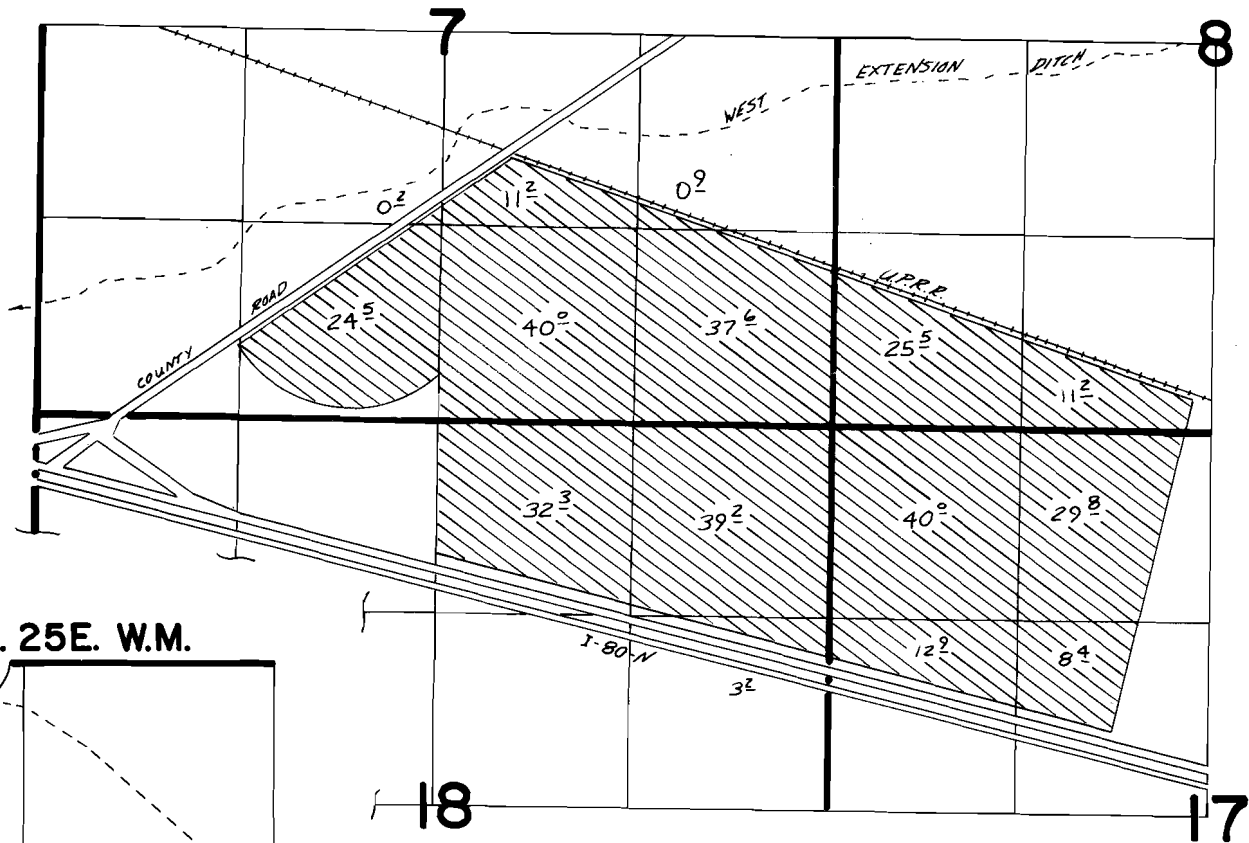
.....FRED W., JUDY, & BARBARA ANDREWS.

Surveyed Oct. 10, 1979, by *H. L. Church*.....
MARCH 18 83

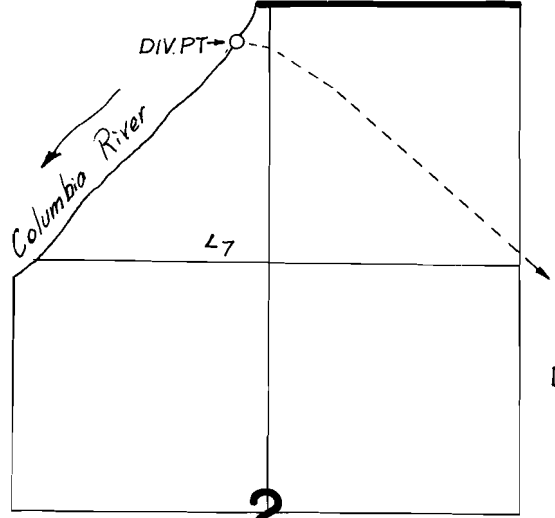
MARCH 22, 1983
?

3-7
PYS-1983-PA1

T. 4N. R. 26E. W.M.



T. 4N. R. 25E. W.M.



DIV. PT. LOC. S.86° 22' 46" W. 2811.00 FT. FROM N.E. COR. SEC 2

SCALE 1" = 1000'

FINAL PROOF SURVEY
UNDER

Application No. 57701..... Permit No. 36940.....
IN NAME OF

.....**PAUL T. & ESTHER J. JASA**.....

Surveyed 11-13..... 1979., by V. CHURCH.....