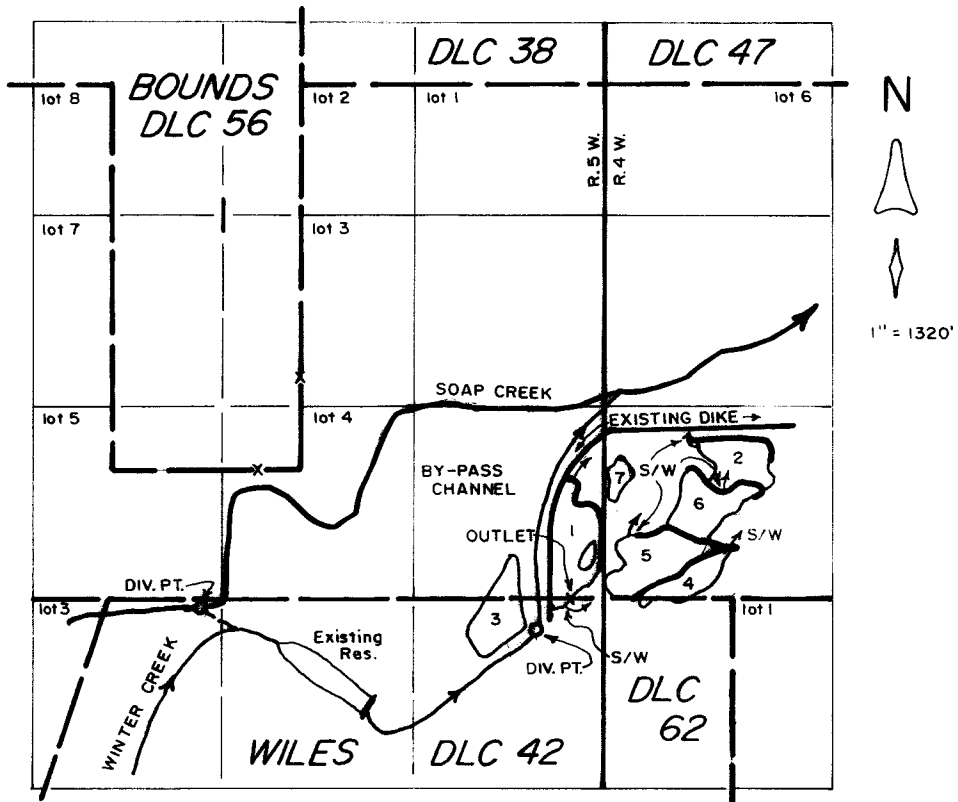


Township 10 South, Ranges 4 & 5 West, W.M.



DIV. PTS. LOCATED: SOAP CREEK, 960' S. & 680' W.
 WINTER CREEK, 1120' S. & 1640' E.
 BOTH FROM SE COR. DLC 56.

RECEIVED

MAR 17 1998

WATER RESOURCES DEPT.
 SALEM, OREGON

FINAL PROOF SURVEY

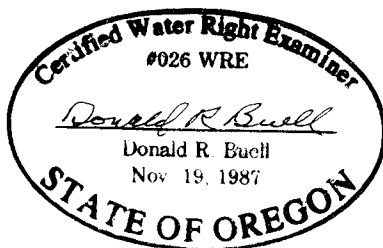
under

Appl. No. R-73159, Per. No. R-11475

in name of

RICHARD D. OWEN

Sep. 29, 1997



THIS MAP WAS PREPARED FOR THE PURPOSE OF IDENTIFYING THE LOCATION OF A WATER RIGHT ONLY AND IS NOT INTENDED TO PROVIDE LEGAL DIMENSIONS OR LOCATION OF PROPERTY OWNERSHIP LINES.

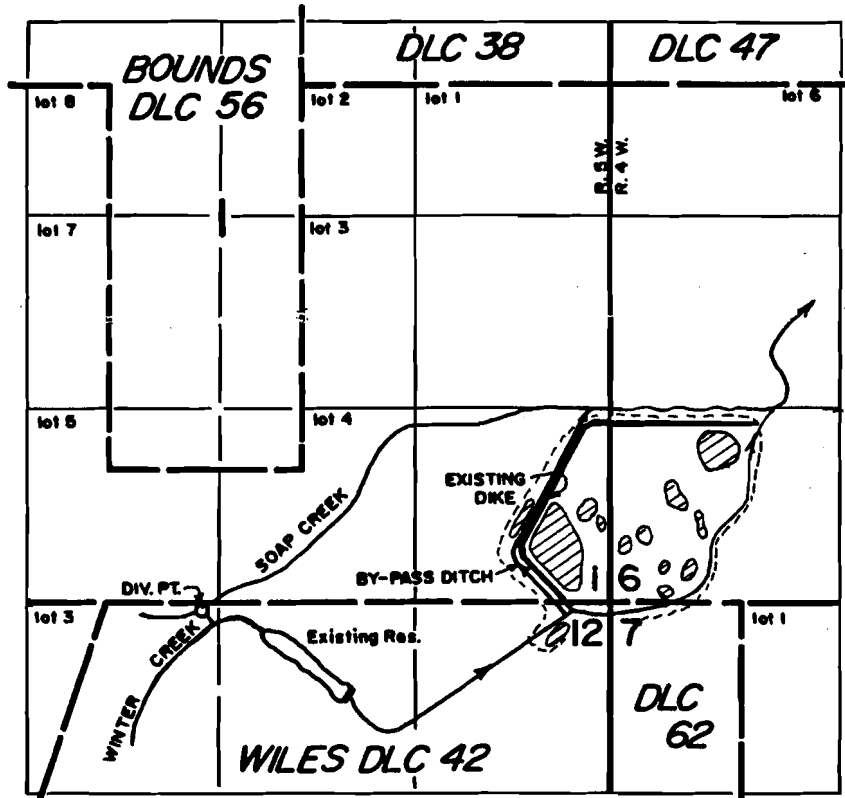
Township 10 South, Ranges 4 & 5 West, W.M.

Portions of Sections 1 and 12 in 5 West
and Sections 6 and 7 in 4 West

RECEIVED

JUL 19 1993

WATER RESOURCES DEPT.
SALEM, OREGON



SEE PLANS FOR
DETAILS OF
PONDS LOCATIONS
AND SIZES

--- PROJECT AREA
POND

DIV. PT. LOCATED: SOAP CREEK, 960' S. & 680' W.

FROM SE COR. DLC 56

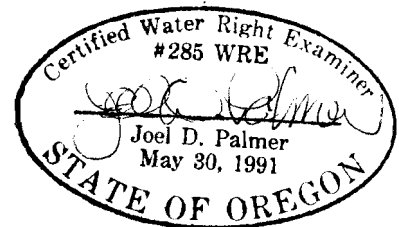
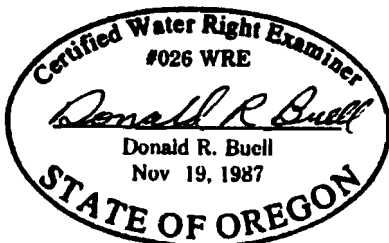
Appl. No. R73159

Per. No. _____

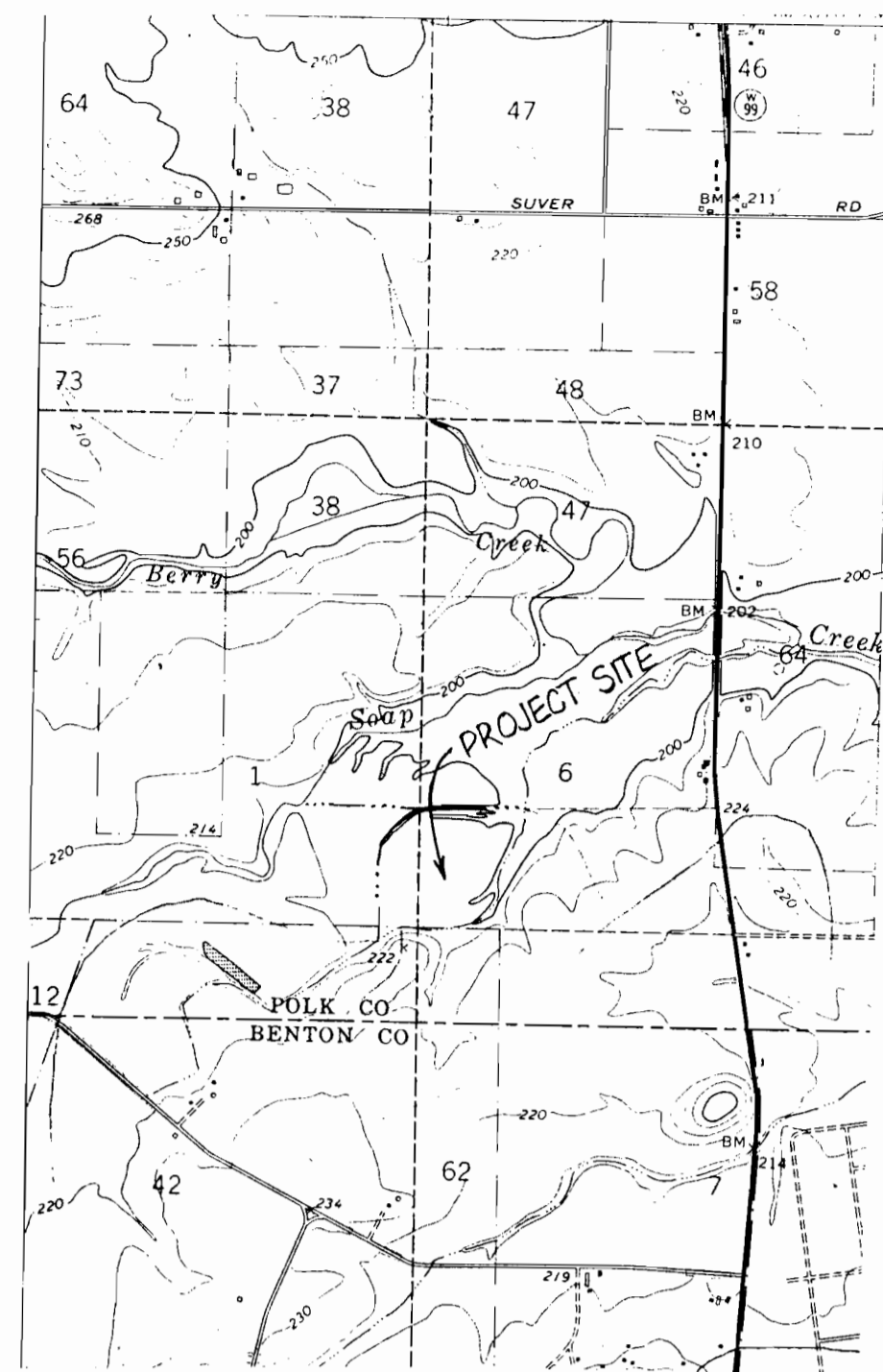
Application Map
for

RICHARD D. OWEN

MAP AMENDED
JULY 16, 1993



THIS MAP WAS PREPARED FOR THE PURPOSE OF
IDENTIFYING THE LOCATION OF A WATER RIGHT
ONLY AND IS NOT INTENDED TO PROVIDE LEGAL
DIMENSIONS OR LOCATION OF PROPERTY
OWNERSHIP LINES.

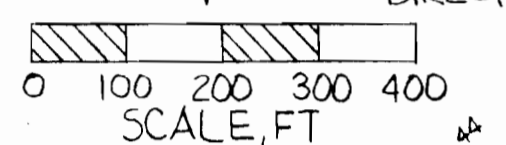


SW 1/4 SEC 6, T10S, R4W, W.M.
LOCATION MAP

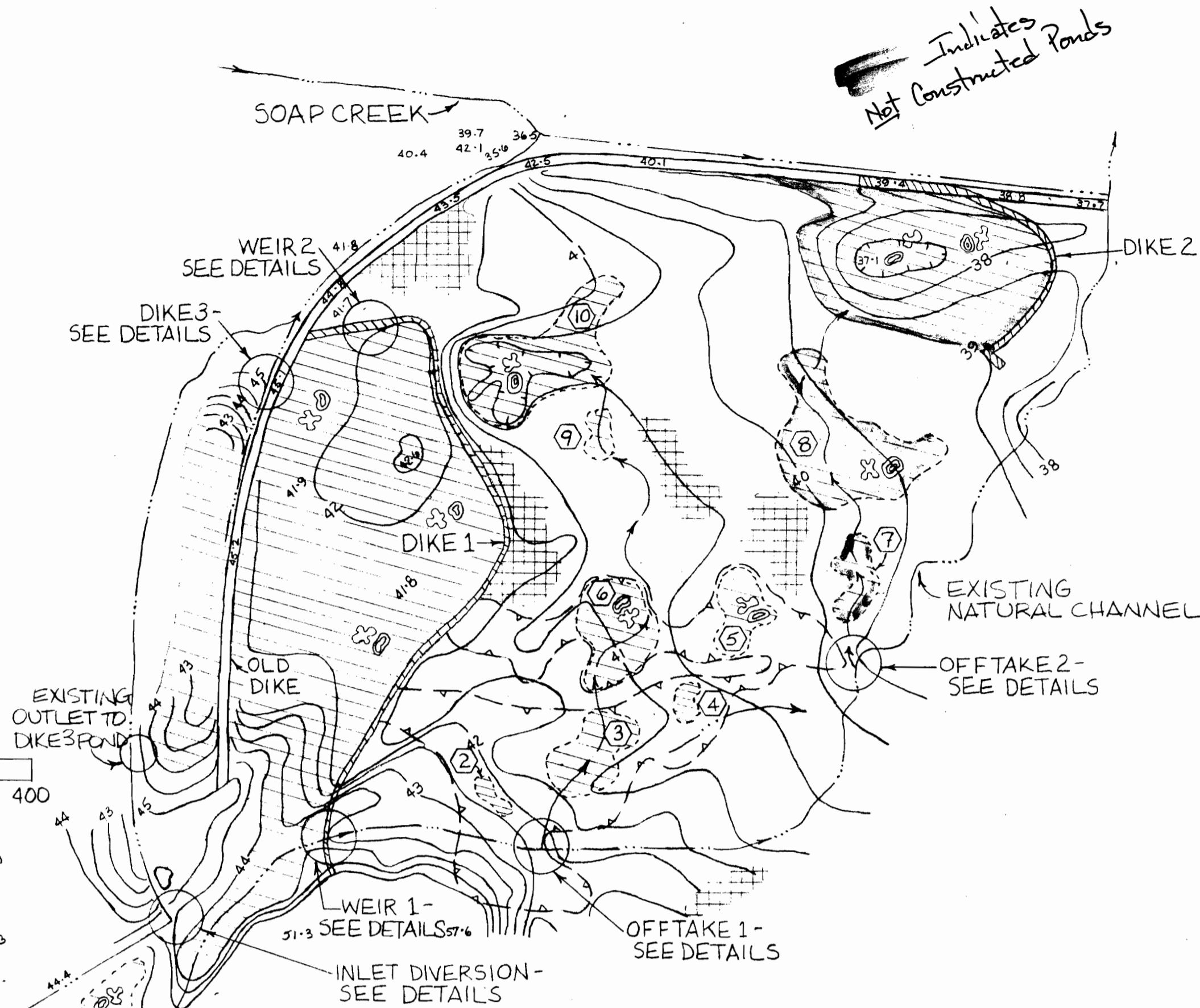
DRAINAGE AREA 273 AC
INLET Q_{max} 11 CFS
WEIRS Q_{max} 20 CFS

BENCHMARK IS TOP
OF METAL FRAME,
OUTLET GATE OF
DUCK HUNTING
POND
BM
50.0

CONTOUR INTERVAL
0.5 FT
ELEVATIONS ARE FEET,
LOCAL DATUM



EXISTING
BYPASS
CANAL



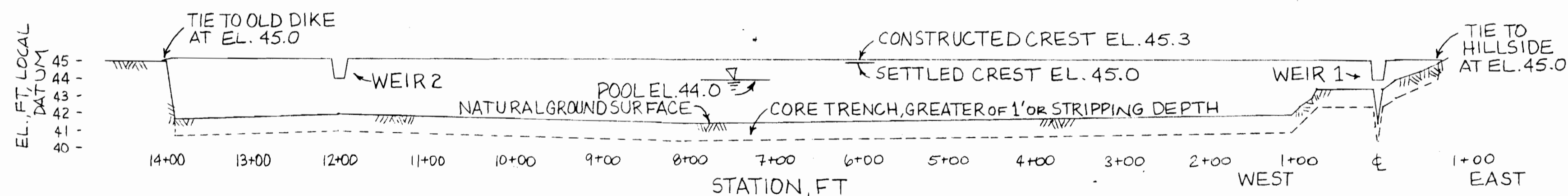
SITE PLAN WITH STRUCTURAL ELEMENTS

LEGEND

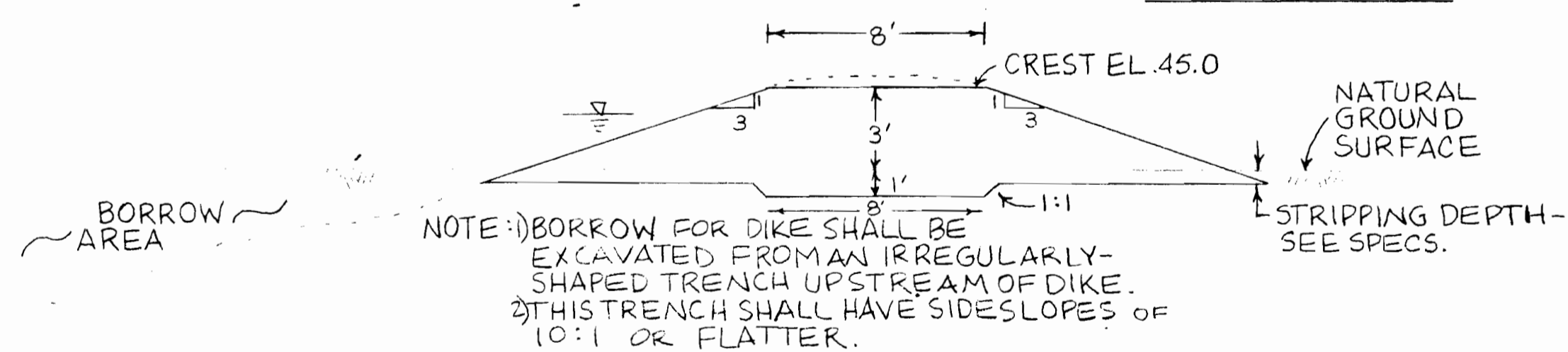
- DIKED IMPOUNDMENT
- EXCAVATED IMPOUNDMENT
- AREA TO BE STRIPPED OF CANARY GRASS
- SPOIL AREA
- DEEP WATER EXCAVATION AND SPOIL ISLAND
- DISTRIBUTARY CHANNEL - SEE DETAILS

STRUCTURE

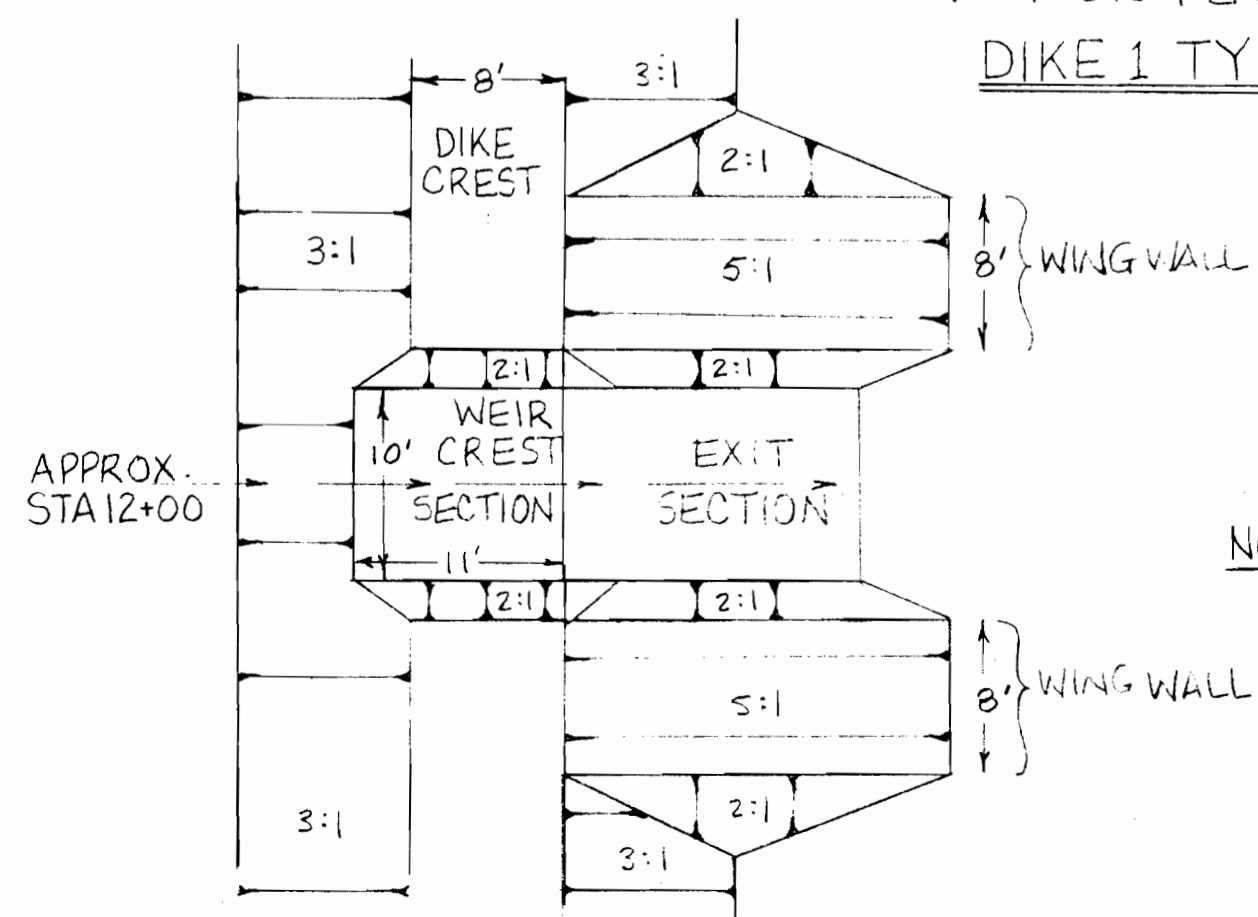
	SURFACE AREA, AC	VOLUME, AC-FT	STRIPPING VOLUME, YD ³	SOIL EXCAVATION, YD ³	FILL PLACES, YD ³	RIPRAP, YD ³	CONCRETE, YD ³	REINFORCING STEEL, LB	MISC. METAL, LB	DEEP WATER HOLES	
DIKE 1 POND	7.35	12.6	3500	4522	3768	15				3	
DIKE 2 POND	2.29	2.2	695	254	212	1				2	
DIKE 3 POND	1.47	2.2	144	214	178					1	
EXCAVATED POND ①	.27	.5	218	654						1	
②	.05	.1	40	121							
③	.40	.8	323	968							
④	.06	.1	48	145							
⑤	.24	.5	194	581						1	
⑥	.57	1.0	411	1234						1	
⑦	.19	.4	153	460							
⑧	1.04	2.1	829	2517						1	
⑨	.15	.3	121	363							
⑩	.98	2.0	790	2372						1	
OFFTAKE CHANNEL 1					764					10	
OFFTAKE CHANNEL 2					556					10	
CANARY GRASS STRIPPING AREA	5.11	2.6	4130								
INLET DIVERSION STRUCTURE								2	3	230	140
DEEP WATER HOLES										390	
TOTAL	18.95	26.7	19558	16115	4158	38	3	230	14	10	



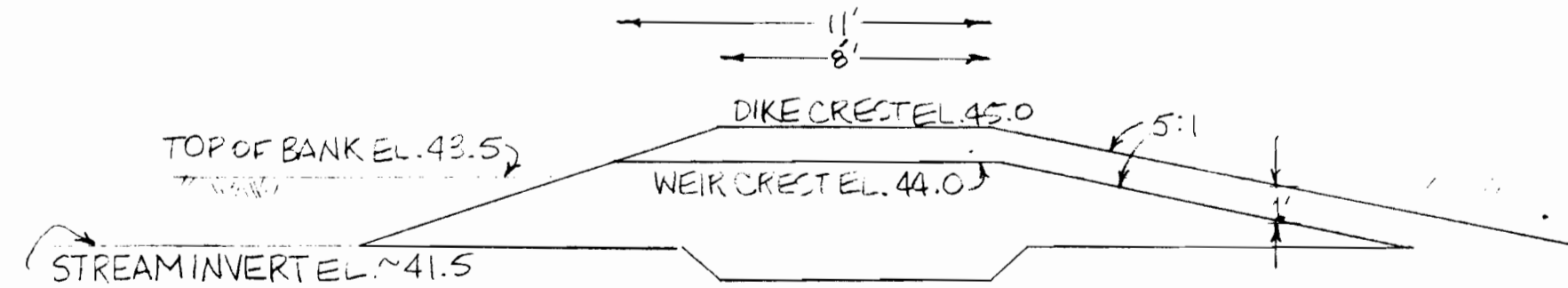
DIKE 1 PROFILE



DIKE 1 TYPICAL SECTION



WEIR 2 PLAN & SECTION

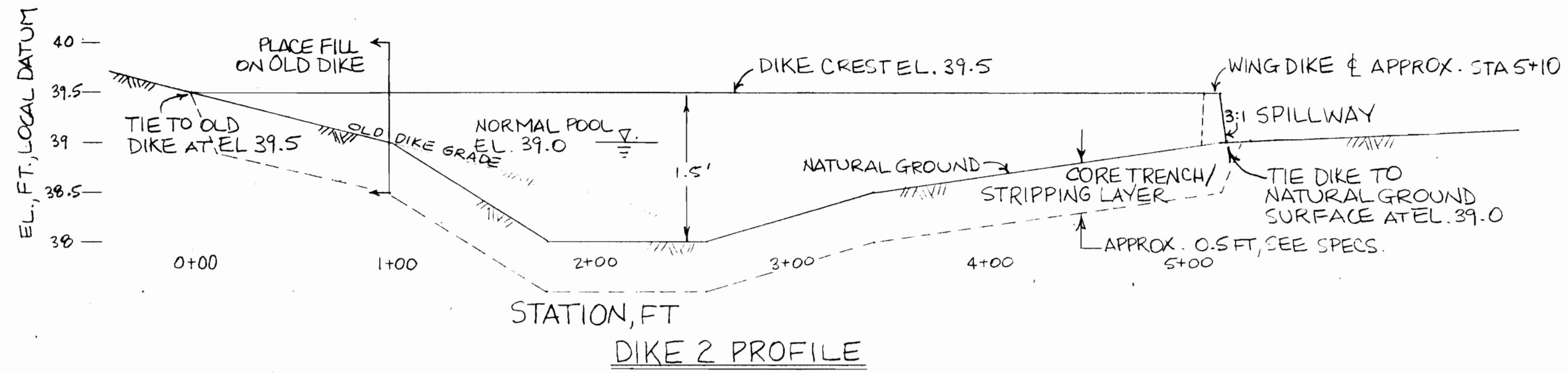


WEIR 1 SECTION & PLAN

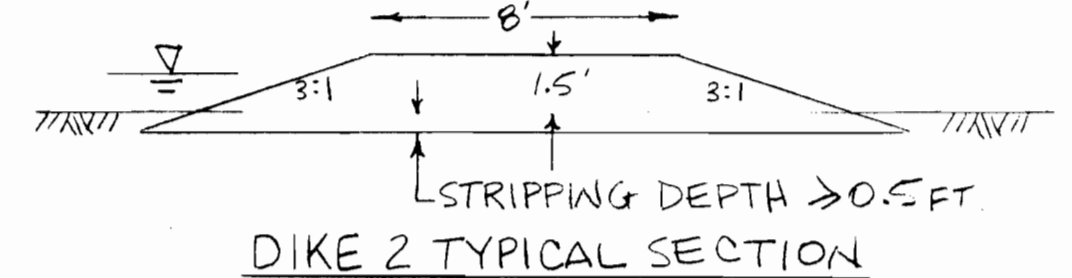
DATE PREPARED: 5/26/93
DATE: May 26 1993
DESIGNED BY: [Signature]
CHECKED BY: [Signature]



OWEN WETLAND
POLK COUNTY, OR
SHEET 1 OF 3
5-5-93
PREPARED BY:
PALMER ENGINEERING
CORVALLIS, OR 503-752-3367

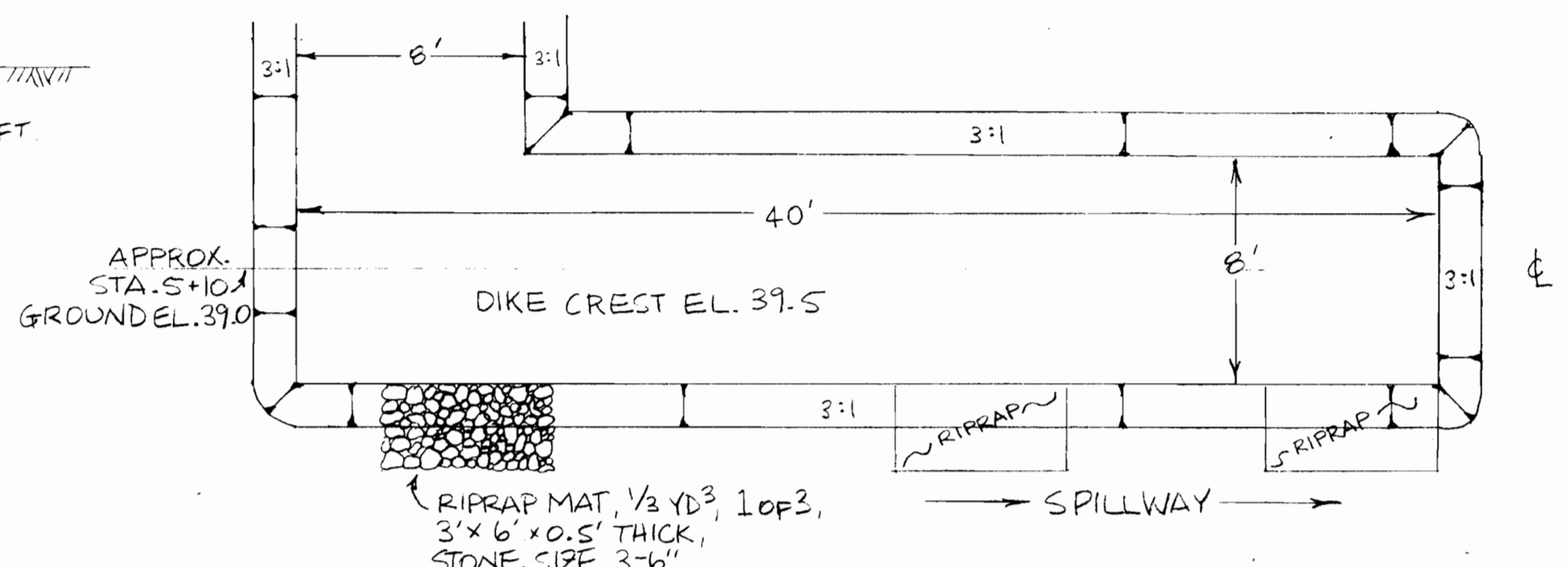


DIKE 2 PROFILE

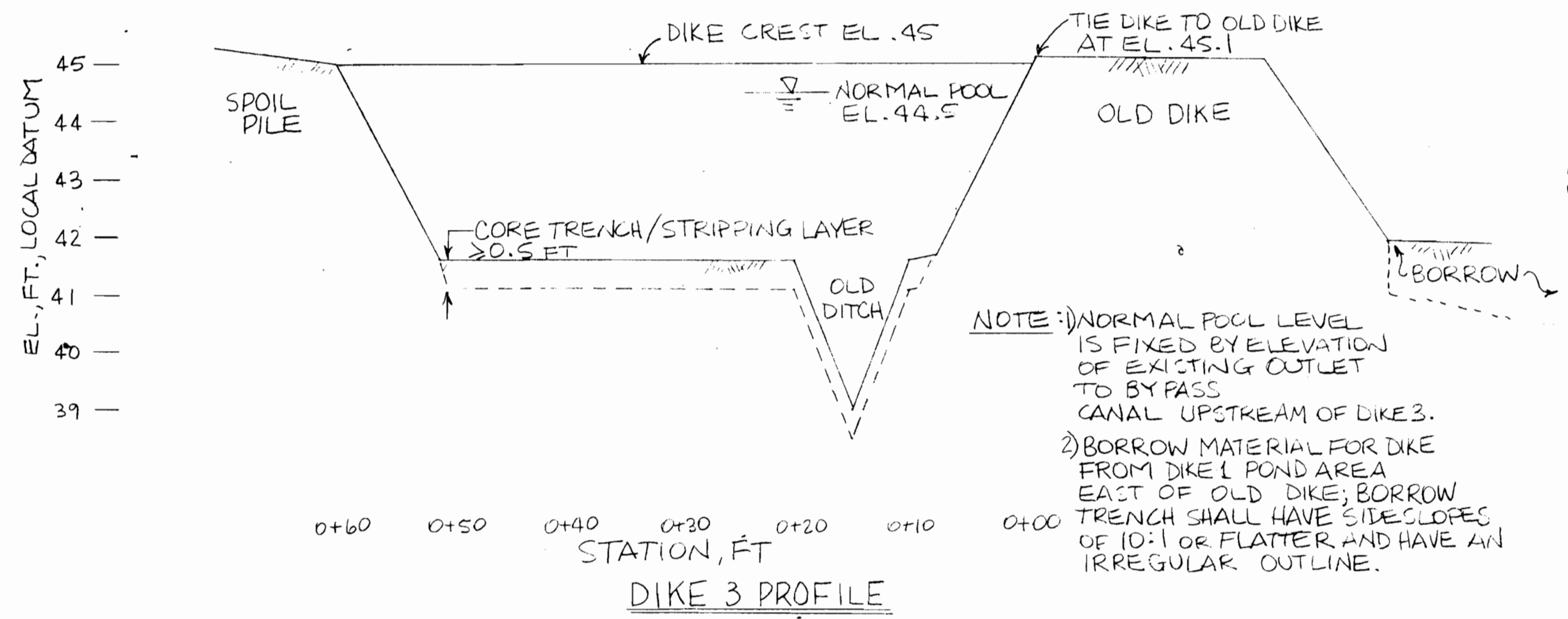


DIKE 2 TYPICAL SECTION

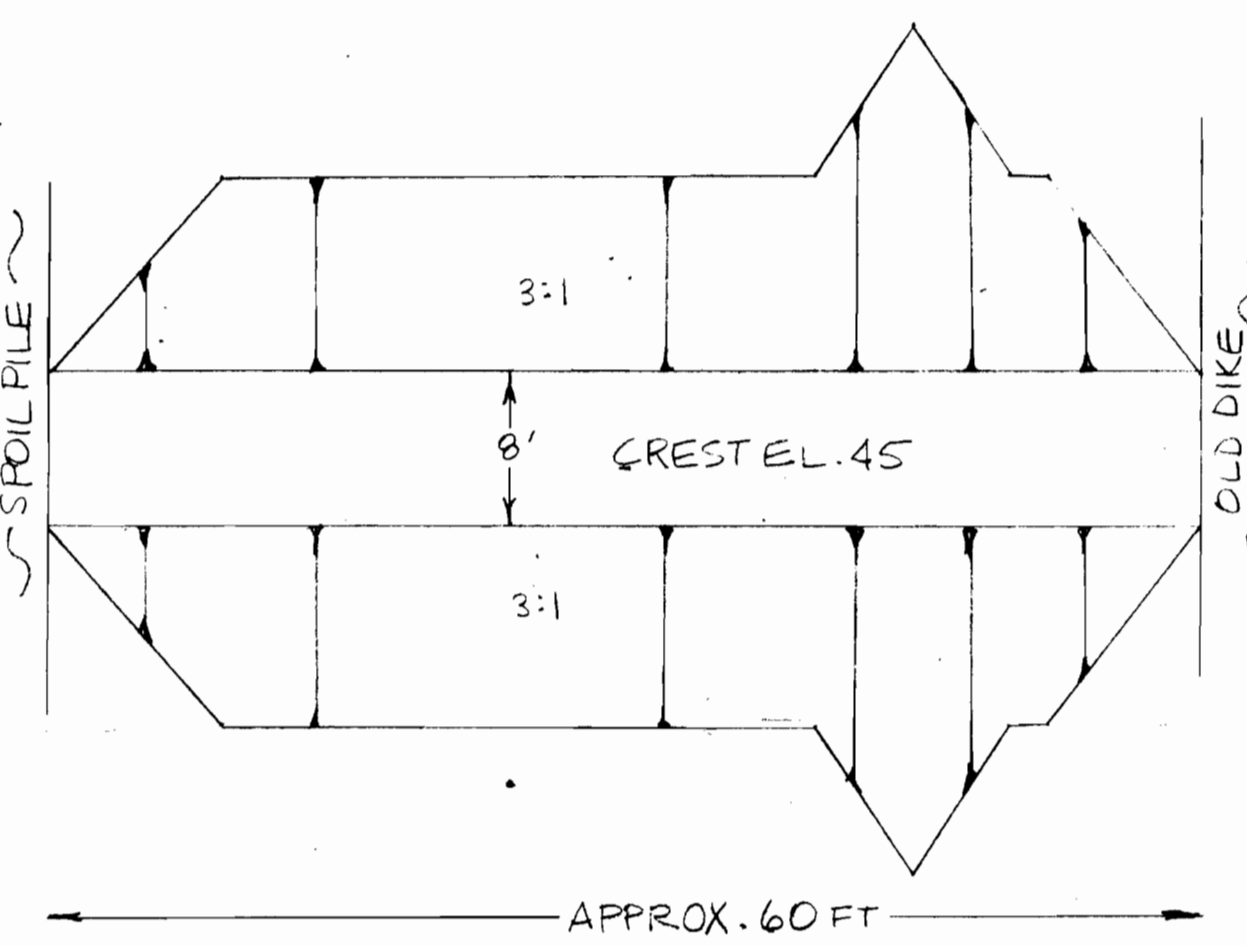
NOTE: SEE DIKE 1 NOTES FOR BORROW DIRECTIONS.



WING DIKE PLAN

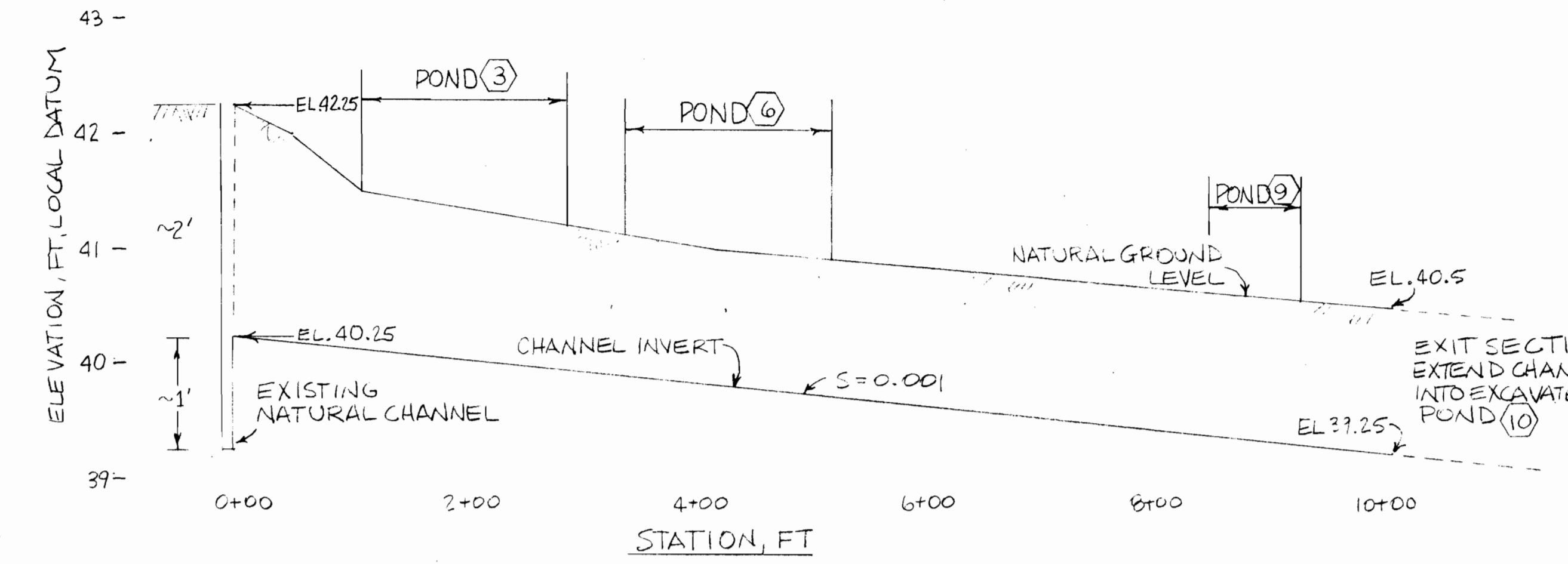


DIKE 3 PROFILE

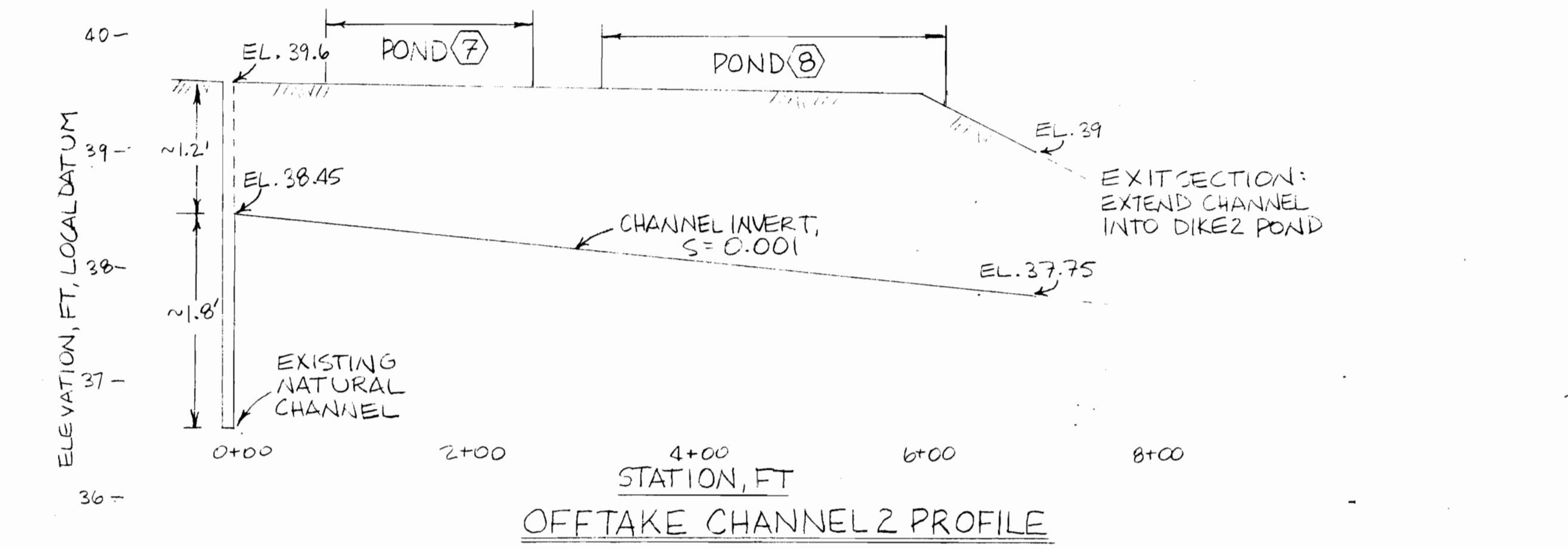


DIKE 3 PLAN

NOTE: FOR TYPICAL SECTION, SEE DIKE 1 & DIKE 2.

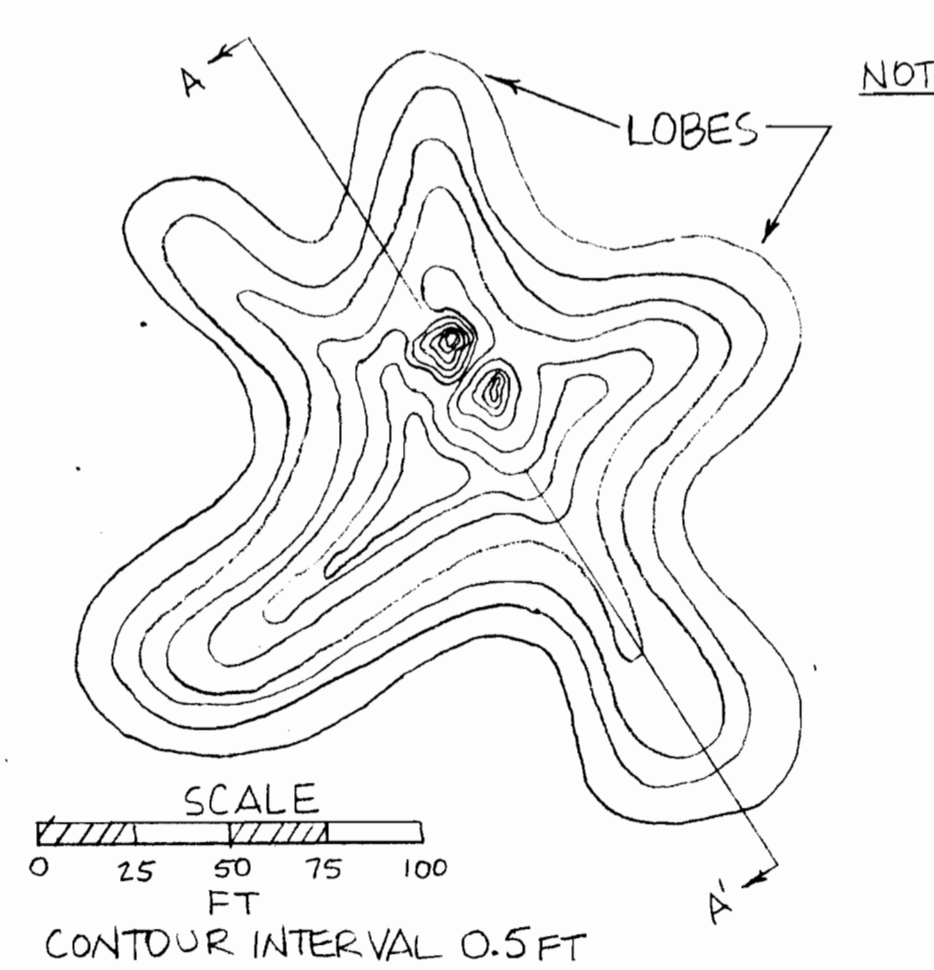


OFFTAKE CHANNEL 1 PROFILE



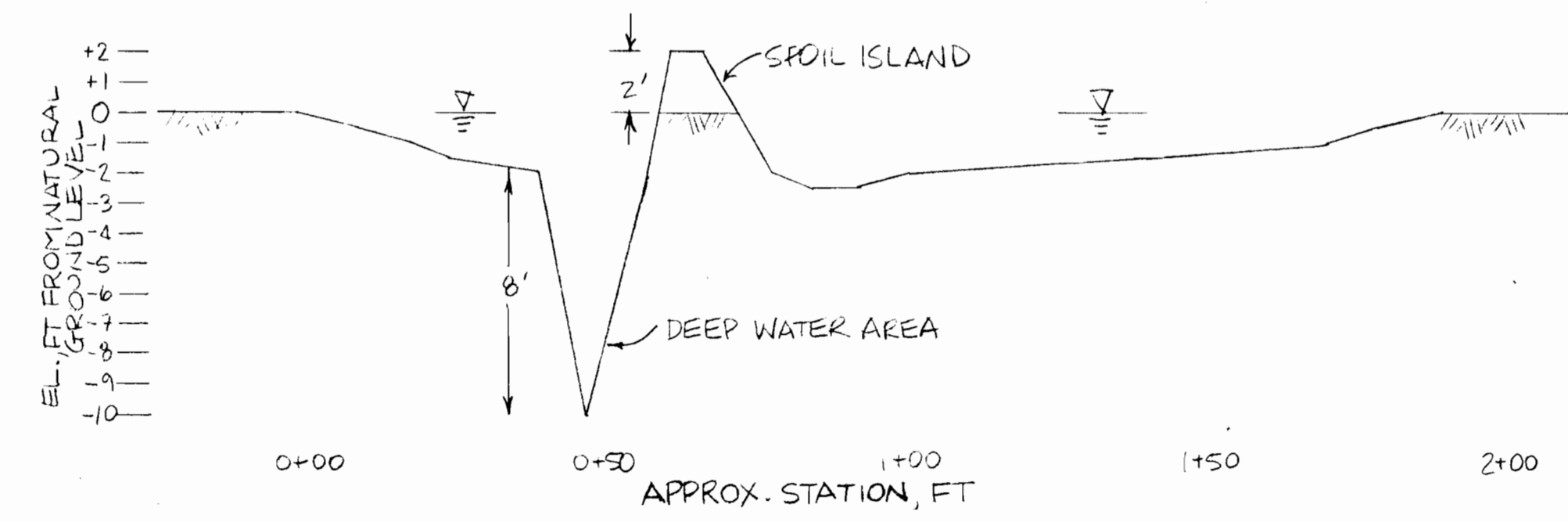
OFFTAKE CHANNEL 2 PROFILE

NOTES: 1) BOTH CHANNELS SHALL BE EXCAVATED ALONG A MEANDERING FLOW LINE WITH AT LEAST 4 (FOUR) MEANDER LOOPS, EACH CONSISTING OF A RIGHT AND A LEFT-TURNING BEND. 2) ENTRANCE AND EXIT SECTIONS SHALL BE SHAPED TO MAKE A GRADUAL TRANSITION TO NATURAL CONDITIONS.

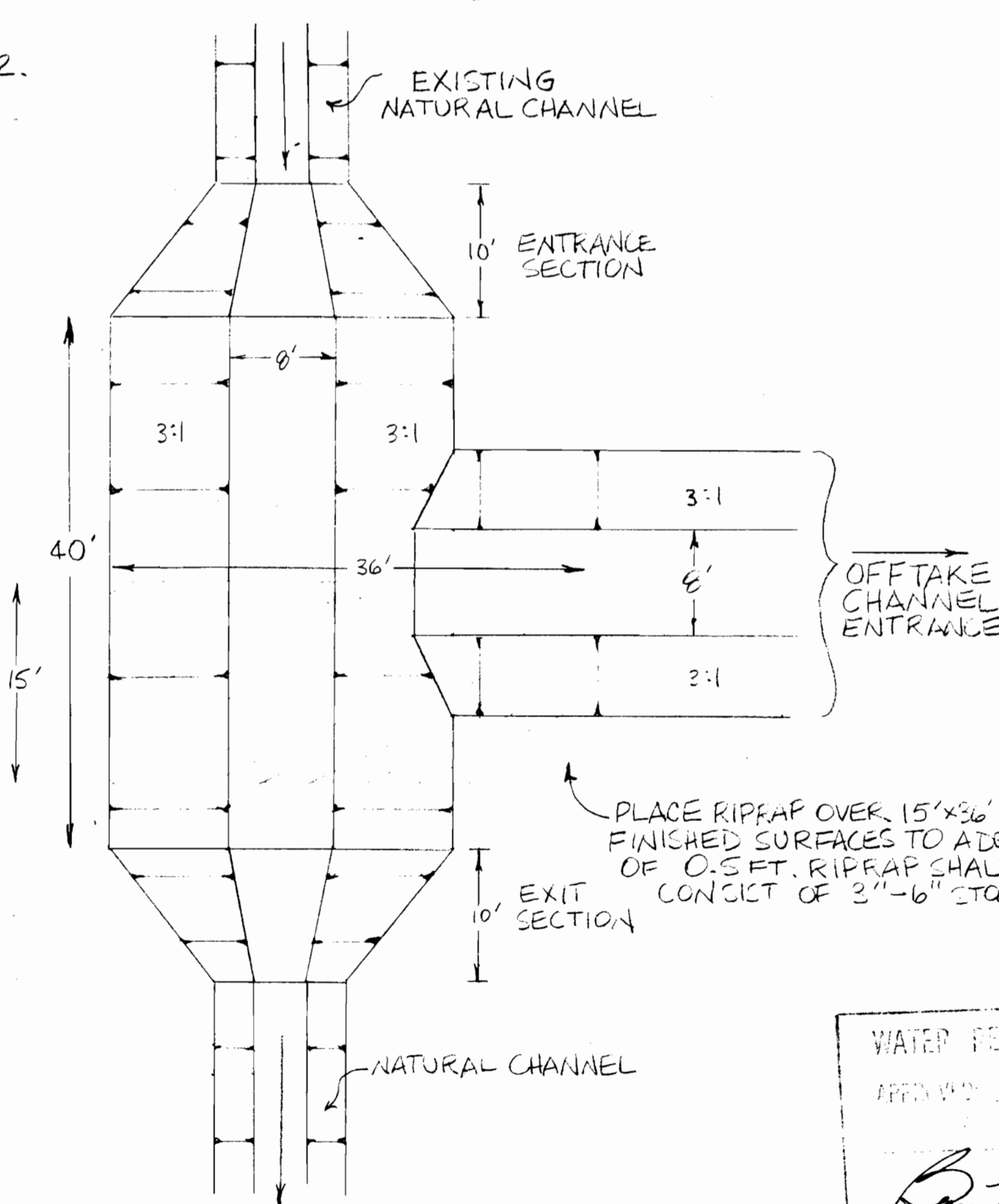


EXCAVATED POND-TYPICAL PLAN

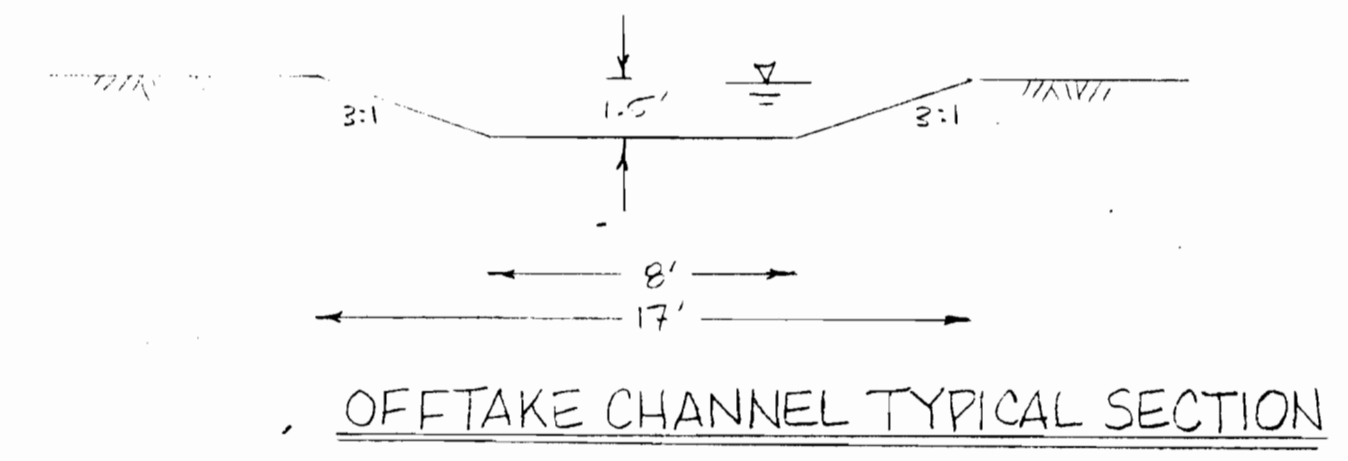
NOTES: 1) PONDS SHALL BE GRADUALLY CONTOURED AND LOBULATE IN SHAPE; EACH POND SHALL HAVE AT LEAST THREE LOBES. 2) EXCEPT FOR DEEP WATER AREAS AND ISLANDS, PONDS SHALL BE SHAPED TO SLOPES OF 10:1 OR FLATTER.



EXCAVATED POND-TYPICAL SECTION A-A'



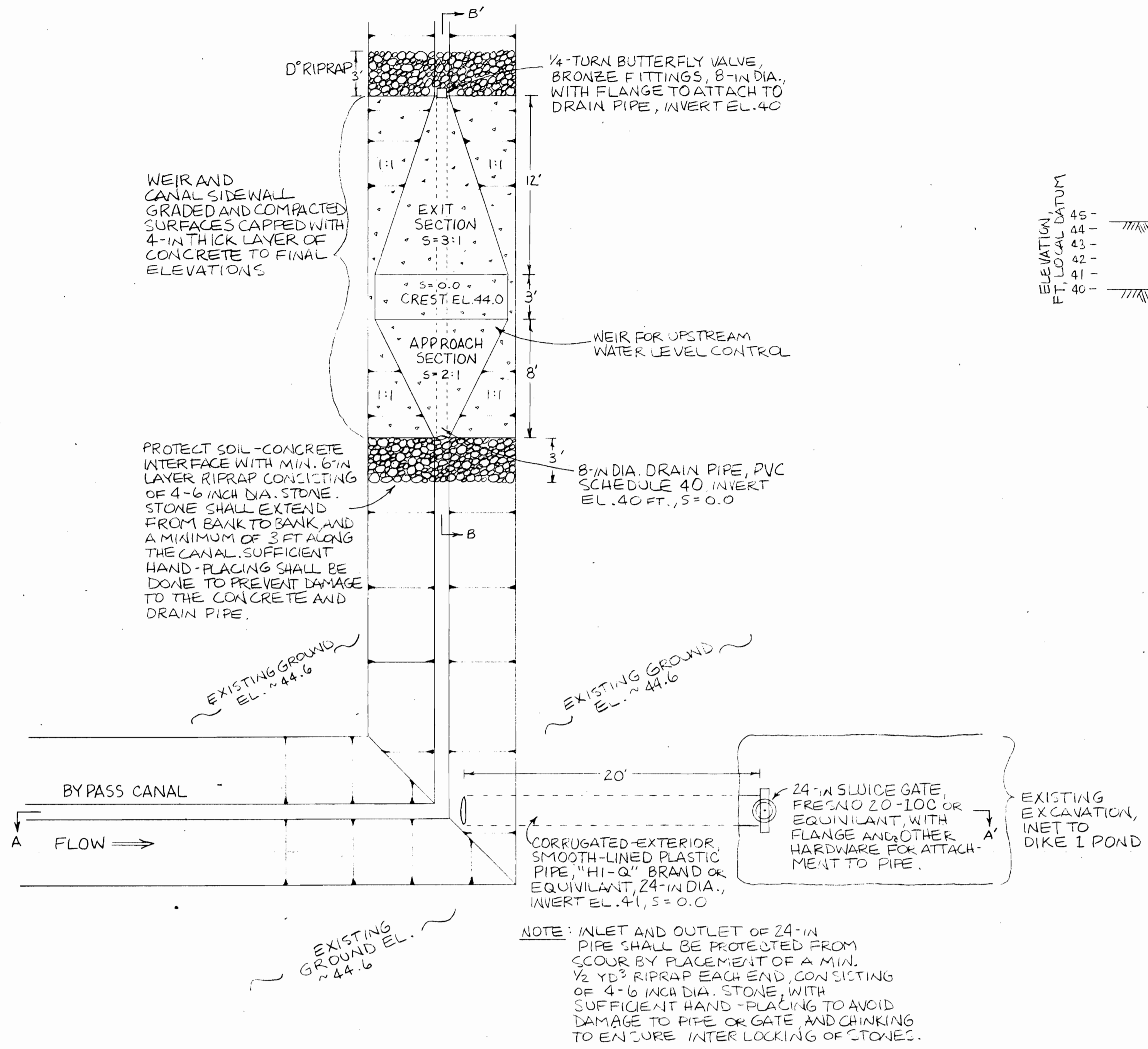
OFFTAKE DIVERSION PLAN



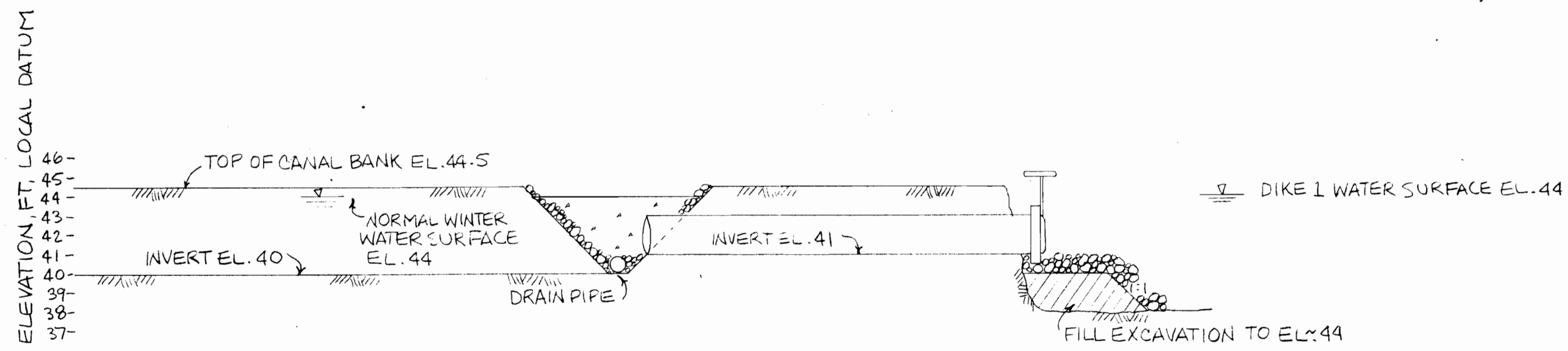
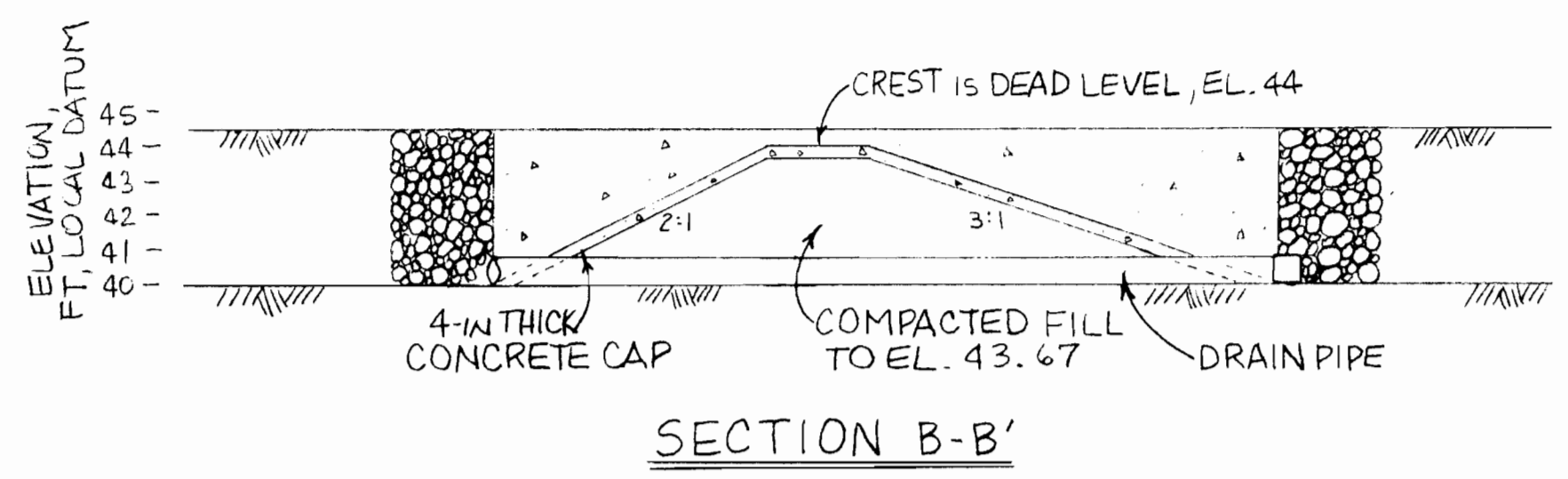
OFFTAKE CHANNEL TYPICAL SECTION

WATER RESOURCES DEPARTMENT
APPROVED MAY 26 1993
Ray D. Palmer





INLET DIVERSION - PLAN



SECTION A-A'



MAY 26 93

Joel D. Palmer

OWEN WETLAND
POLK COUNTY, OR
SHEET 3 of 3
5-5-93
PREPARED BY:
PALMER ENGINEERING
CORVALLIS, OR 503-752-3367