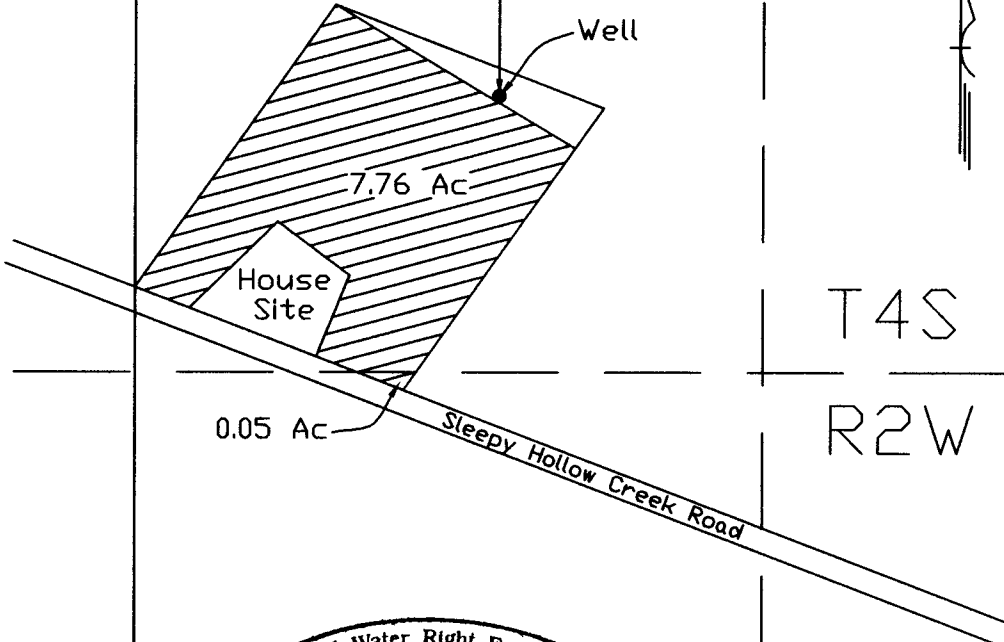
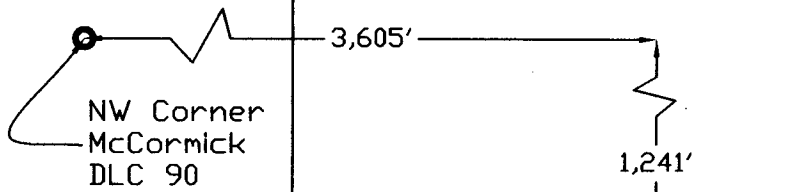


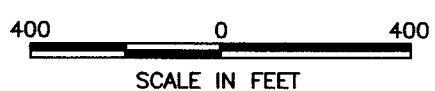
File Copy  
Do not remove



T4S  
R2W W.M.

Certified Water Right Examiner  
255WRE  
*Bruce D. Wilson*  
Bruce D. Wilson  
May 22, 1990  
STATE OF OREGON

35 36  
2 1



Irrigated Area -

# FINAL PROOF SURVEY

UNDER

Application No. G-12866, Permit No. G-11736  
in the name of  
Tim Storm

RECEIVED  
JUN 19 2003  
WATER RESOURCES DEPT  
SALEM, OR