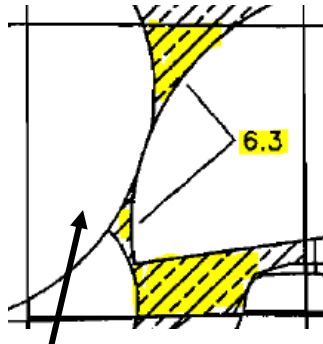


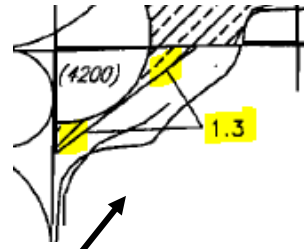
**C. 76742 per 3111 petition**

T-9717 Order Vol 60 P 383 Cancelled Portion C76742	RR on C.80812
4N 28 E S28 SWSW 0.0 acres	2.0 ACRES
4N 28 E S29 NESW 0.0 acres	1.1 ACRES
4N 28 E S29 SWSW 0.0 acres	6.2 ACRES
4N 28 E S29 SESW 8.6 acres	22.4 ACRES
4N 28 E S29 NESE 0.5 acres	4.2 ACRES
4N 28 E S29 NWSE 7.8 acres	5.5 ACRES
4N 28 E S29 SWSE 6.3 acres	32.4 ACRES
4N 28 E S29 SESE 0.0 acres	28.1 ACRES
4N 28 E S32 NWNE 1.3 acres	3.9 ACRES

Location of cancelled acres in Section 29 SWSE:



Location of cancelled acres in Section 32 NW



RR 6.2 poly-point

RR 32.4

RR 3.9

SEE DETAIL THIS DWG

# 2004 WESTLAND IRRIGATION DISTRICT

## 540.580 TRANSFER T-9717

### BETZ & BOETTCHER TO BOETTCHER

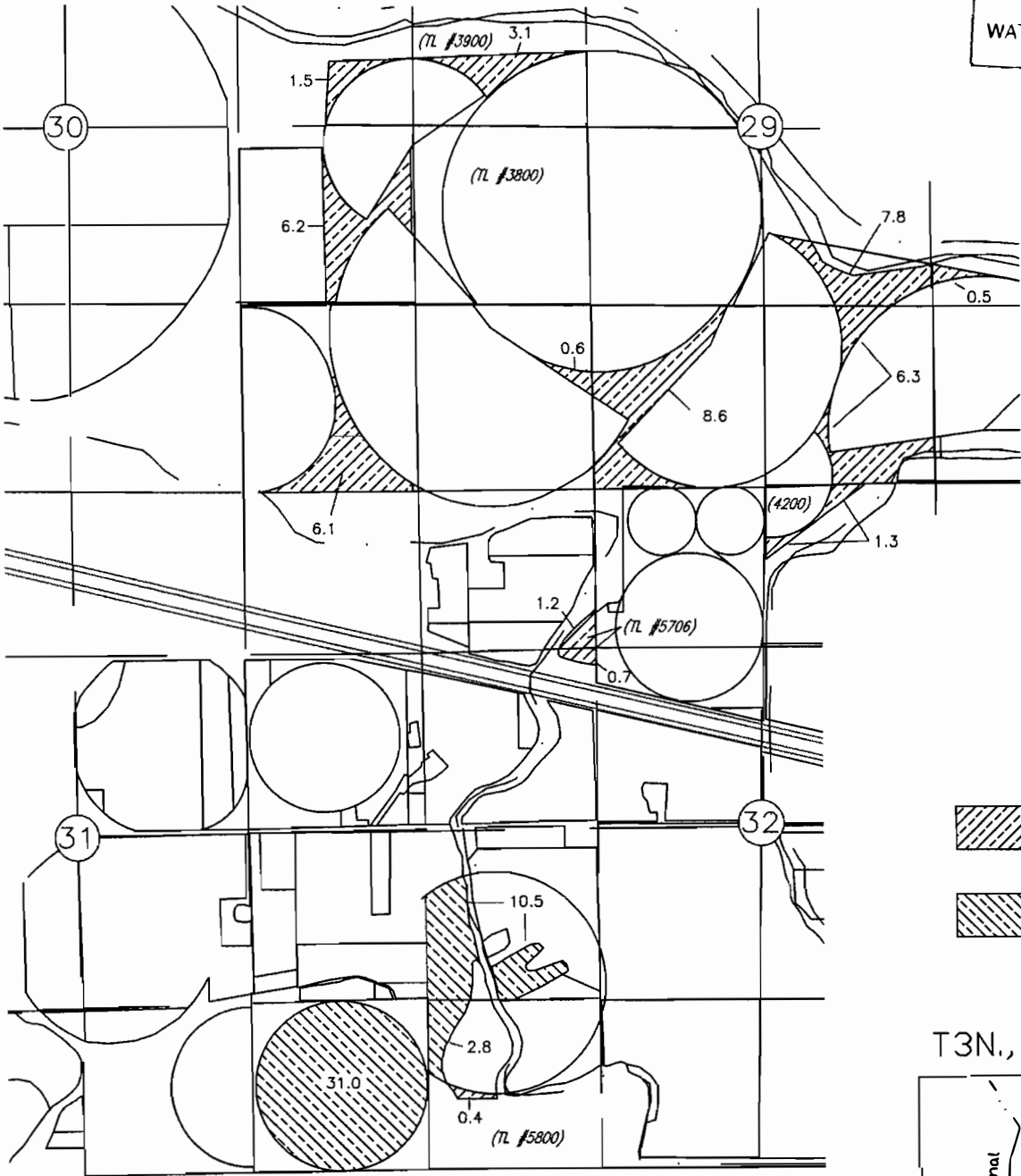
April 1961, Cert. 76799

**RECEIVED**

MAY 10 2004

WATER RESOURCES DEPT  
SALEM, OREGON

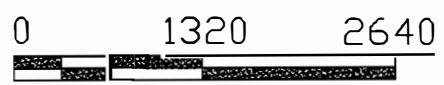
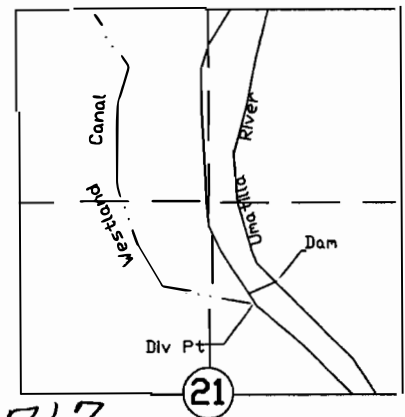
T4N., R28E., W.M.



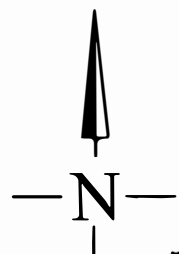
1961 FROM

1961 TO

T3N., R 29E., W.M.



SCALE IN FEET



NOTE: THE PURPOSE OF THIS MAP IS TO IDENTIFY THE APPROXIMATE LOCATION OF THE WATER RIGHT. IT IS NOT INTENDED TO PROVIDE INFORMATION RELATIVE TO THE LOCATION OF PROPERTY OWNERSHIP BOUNDARY LINES.

T-9717