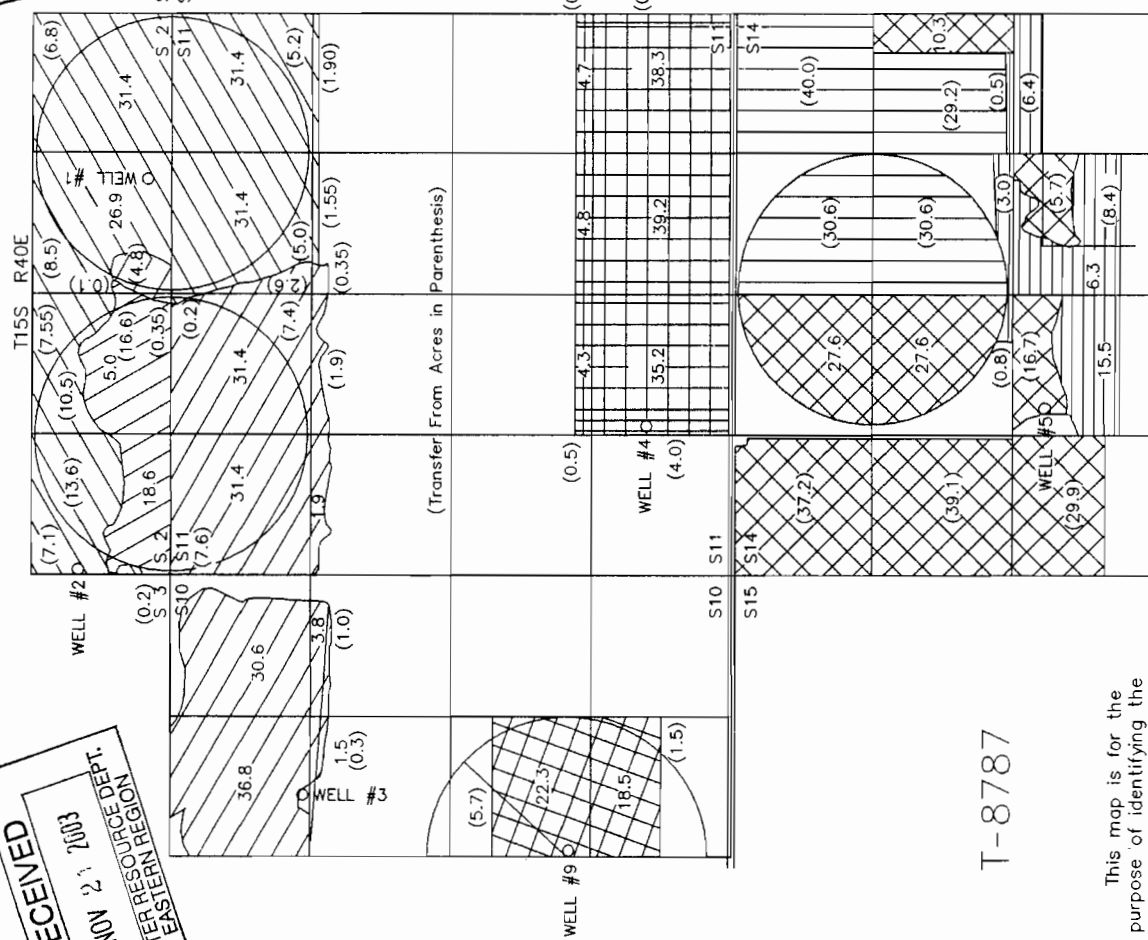


RECEIVED
 NOV 21 2003
 WATER RESOURCE DEPT.
 EASTERN REGION

WATER RIGHT TRANSFER APPLICATION MAP

MAP 1 of 2 -- Revised 11/19/03
 Applicant: Ray Belnap
 4137 Kocheheimer Road
 Vale, OR 97918
 541 473-2932

WELL #20
 T15S R40E
 S 1 S12



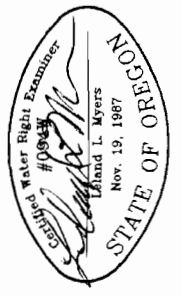
Scale 1" = 1320'
 All in TAX LOT No. 15 40 600

LEGEND

- Permit No. U-350 - 9/18/50
163.7 acres from Well #3
1250'S, 1980'W from NE Cor S10
Certificate No. 46078
- Permit No. U-359 - 9/20/50
194.1 acres from Well #5
325'S, 1575'E from W1/4 S14
(T-3413) Cert. No. 23631
- Permit No. U-369 - 2/5/51
132 acres from Well #4
730'N 1400'E from SW cor S11
Certificate No. 44207
- Permit No. U-391 - 5/10/51
474.6 acres from Wells #6 & 7
See Map 2 of 2
Certificate No. 23632
- Permit No. U-392 - 5/10/51
130.4 acres from Well #5
Same as above
(T-3413) Old Cert. No. 23633

T-8787

This map is for the purpose of identifying the location of the water right only and has no intent to provide dimensions or location of property ownership lines.



TRANSFER FROM MAP

- Permit No. U-320 - 2/14/50
189.0 acres from Well #1
225'N, 1560'W from SE Cor S2
Certificate No. 44316
- Permit No. U-349 - 9/18/50
40.5 acres from Well #2
880'N, 55'E from SW Cor S2
Certificate No. 23628

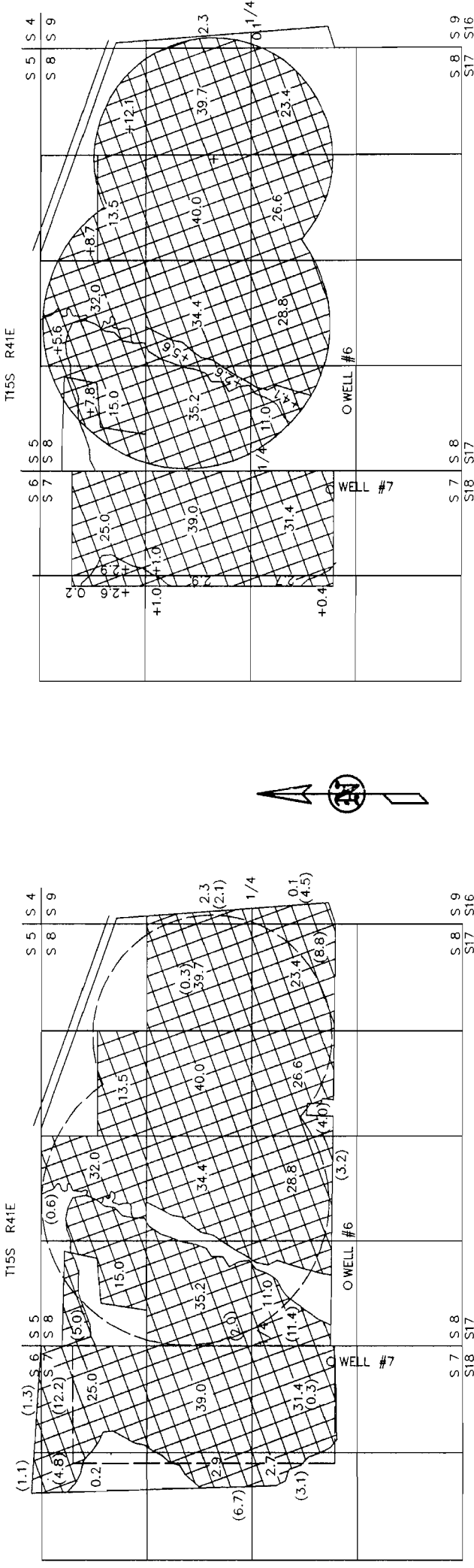
TRANSFER TO MAP

- Permit No. U-406 - 8/21/51
40.9 acres from Well #8
1420'S, 2370'W from E1/4 S14
Certificate No. 23634
- Permit No. U-490 - 2/2/53
48.0 acres from Well #9
1460'N, 2600'W from SE Cor S10
Certificate No. 44208

WATER RIGHT TRANSFER APPLICATION MAP

MAP 2 of 2 -- Revised 11/19/03

Applicant: Roy Belnap
4137 Kocheheimer Road
Vale, OR 97918
541-473-2932



TRANSFER FROM MAP

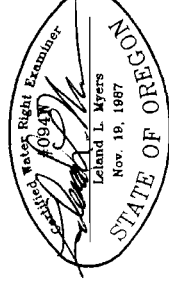
(Transfer From Acres in Parenthesis)

TRANSFER TO MAP

Transfer To Acres with Plus Sign

Permit No. U-391 - 5/10/51
474.6 acres from Wells #6 & 7
Well #6
1200S, 760E from W1/4 S8
and Well #7
995S, 200W from E1/4 S7
Certificate No. 23632

This map is for the purpose of identifying the location of the water right only, and has no intent to provide dimensions or location of property ownership lines.



All in TAX LOT No. 15 41 300

T-8787