

# T. 3N., R. 28E., W.M.

UMATILLA COUNTY

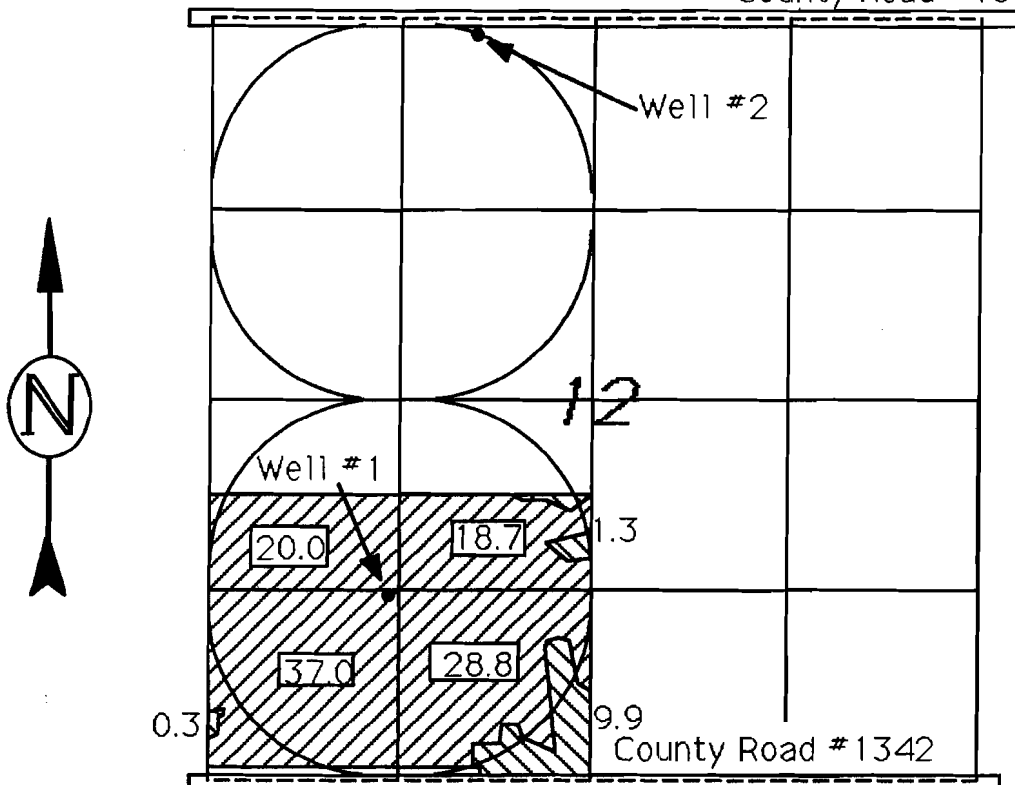
SCALE 1" = 1320'

**RECEIVED**

JUL 22 1992

WATER RESOURCES DEPT.  
SALEM, OREGON

County Road #1338



Well #1 Located 1280' North & 1250' East of S.W. Corner of Section 12

Well #2 Located 135' South & 1810' East of N.W. Corner of Section 12

Primary

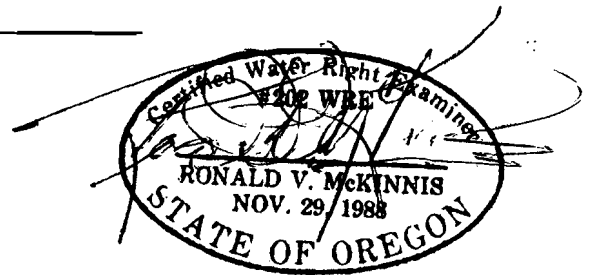
Supplemental

## WATER RIGHTS TRANSFER MAP

IN NAME OF

L & L Farms

THIS MAP IS FOR THE PURPOSE OF IDENTIFYING THE LOCATION OF WATER RIGHTS ONLY AND IS NOT INTENDED TO PROVIDE THE LEGAL DIMENSIONS OR LOCATIONS OF PROPERTY OWNERSHIP LINES.



ENGINEERING - SURVEYING - WATER RIGHTS  
**R V MCKINNIS ENGINEERING**  
Rt 1 Box 1122 Hermiston, Oregon 97838  
503-567-2017