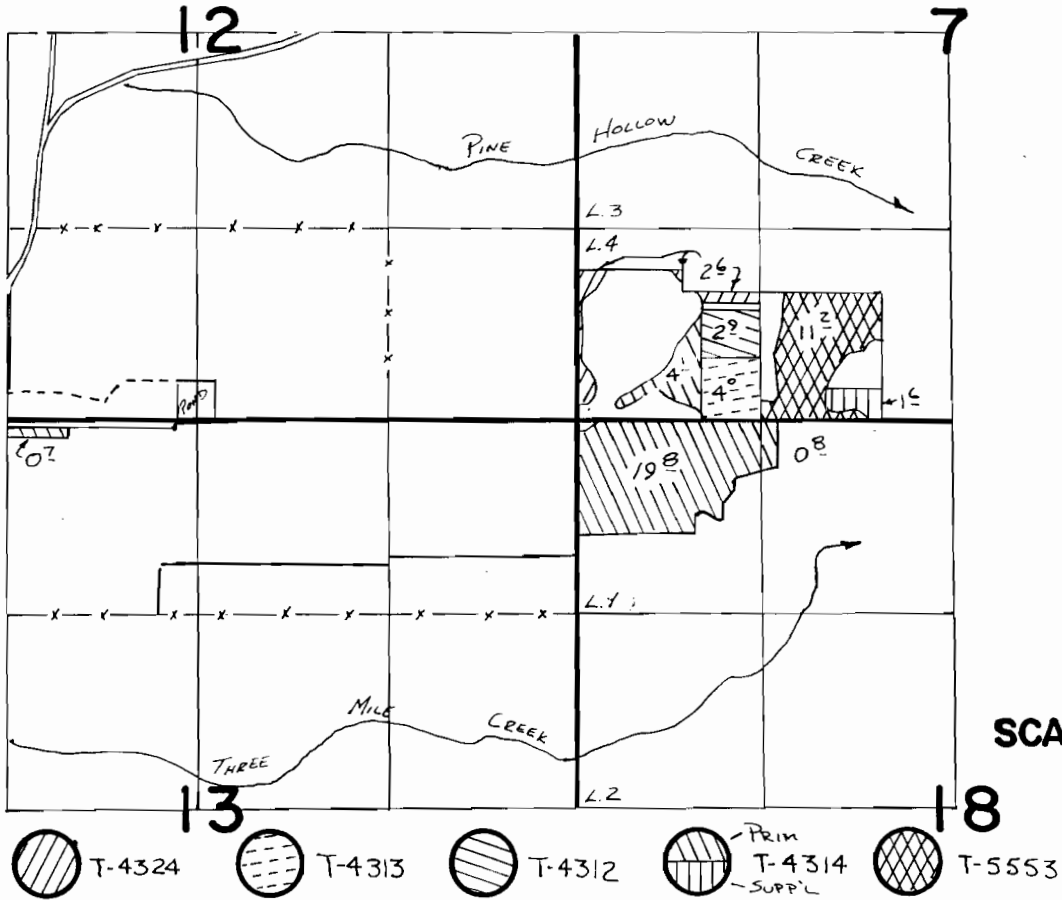


T. 4S., R. 12 & 13E., W. M.



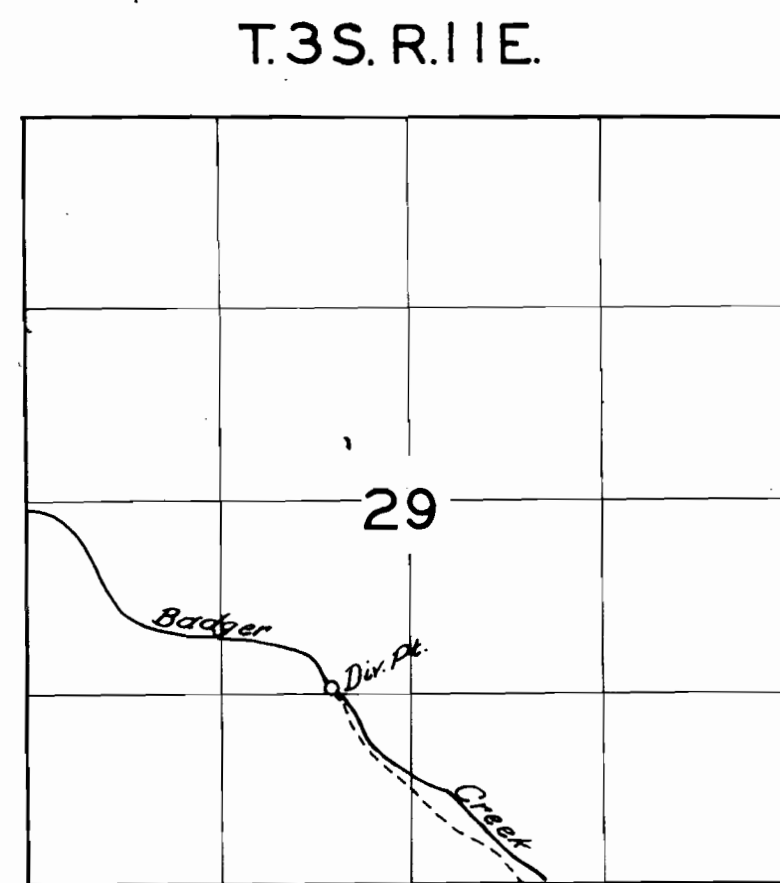
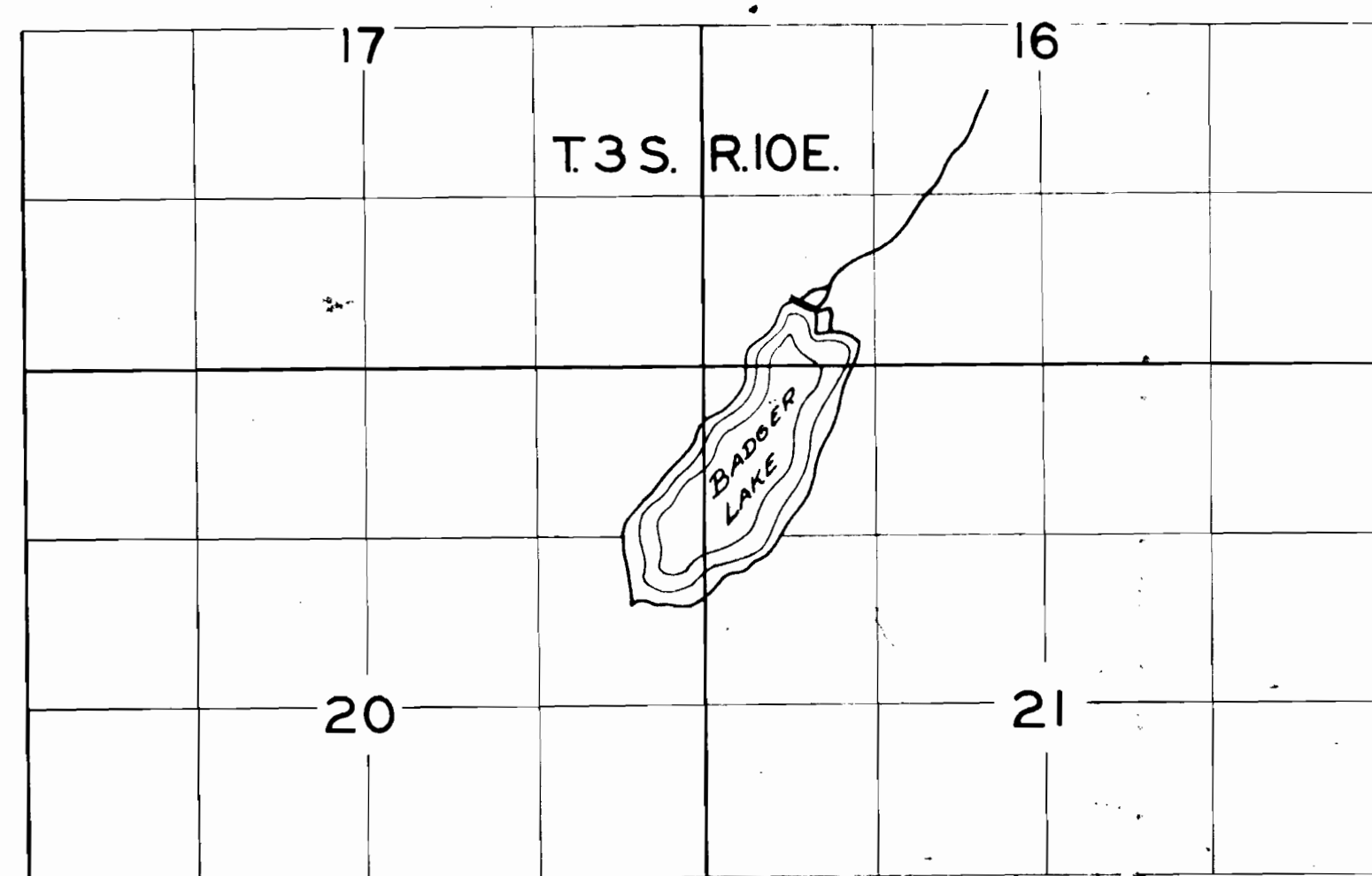
SCALE 1" = 1320'

FINAL PROOF SURVEY
UNDER

TRANSFERS 4324, [REDACTED] 4312, 4314, 5553
IN NAME OF

.....RAY A. BENZEL.....

Surveyed 10-18-1988, by V.H. Church.....



FINAL PROOF SURVEY
 IN NAME OF
 BADGER IMPROVEMENT
 DISTRICT
 APPL. NO. R-13087 PERMIT NO. R-773
 19264 22633
 SURVEYED SEPT-OCT 1957 &
 MARCH 1958
 BY R. H. WHITBY

Y40th Creek & Res

