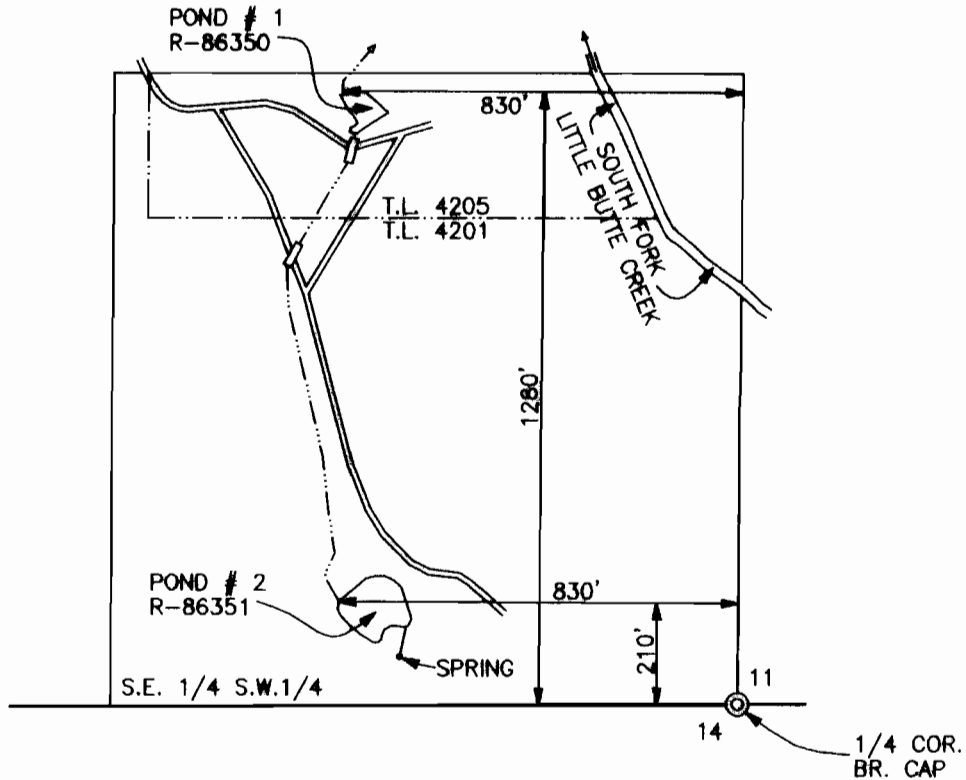
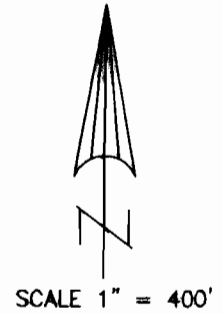


T.37S.,R.2E.,W.M.
 TAX LOT Nos. T.37S., R.2E. (11) - 4201 AND 4205

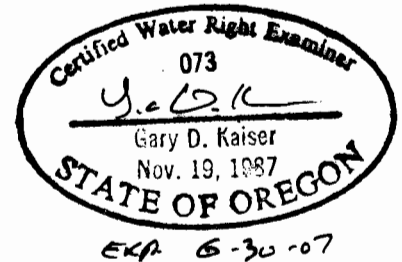


CLAIM OF BENEFICIAL USE MAP

- POND # 1 APPLICATION No. R-86350
 PERMIT No. R-14226
- POND # 2 APPLICATION No. R-86351
 PERMIT No. 14227

IN THE NAME OF:
RANCE SMITH
 8100 LOST CREEK ROAD
 EAGLE POINT, OR 97524

MAP PREPARED AUGUST 31, 2006
 BY GARY D. KAISER



NOTE: MAP PREPARED FOR
 WATER RIGHT PURPOSES ONLY,
 NOT FOR PROPERTY BOUNDARY
 LOCATIONS.

