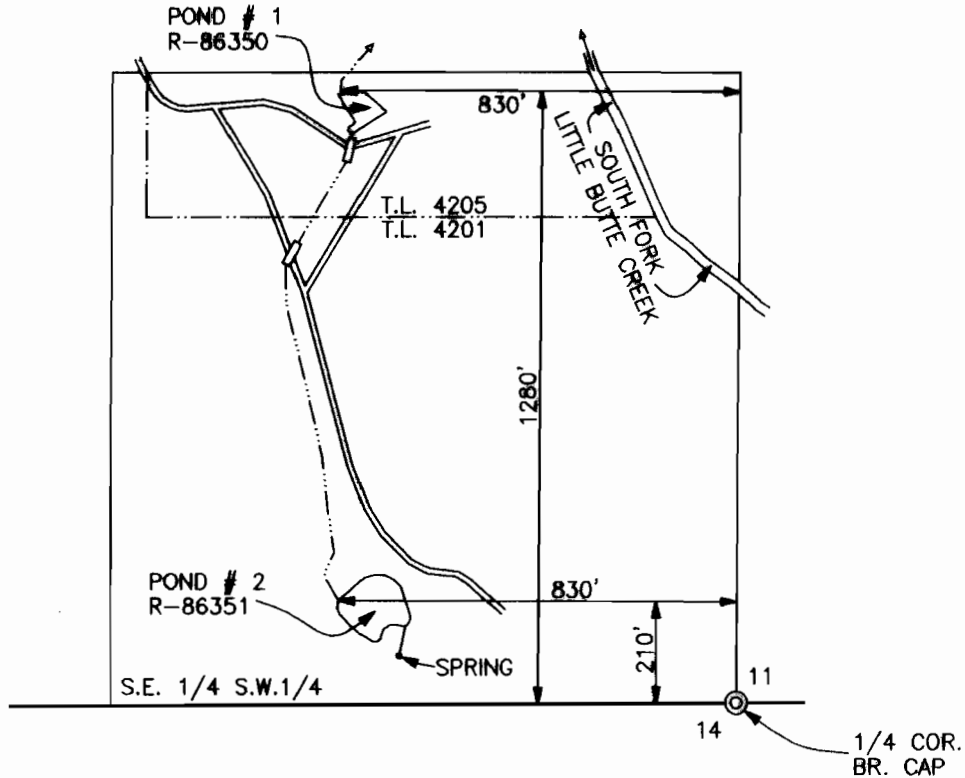
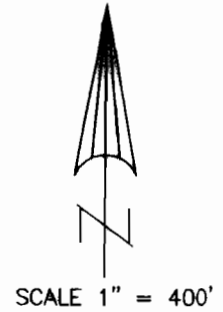


T.37S.,R.2E.,W.M.
TAX LOT Nos. T.37S., R.2E. (11) - 4201 AND 4205



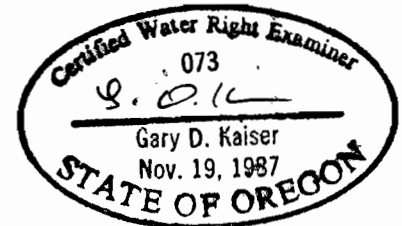
CLAIM OF BENEFICIAL USE MAP

POND # 1 APPLICATION No. R-86350
PERMIT No. R-14226

POND # 2 APPLICATION No. R-86351
PERMIT No. 14227

IN THE NAME OF:
RANCE SMITH
8100 LOST CREEK ROAD
EAGLE POINT, OR 97524

MAP PREPARED AUGUST 31, 2006
BY GARY D. KAISER



EA 6-30-07

NOTE: MAP PREPARED FOR
WATER RIGHT PURPOSES ONLY,
NOT FOR PROPERTY BOUNDARY
LOCATIONS.

