

# FINAL PROOF SURVEY

UNDER

APPLICATION #G-12145 PERMIT #G-11289

SITUATED IN THE SW 1/4 SW 1/4 OF SECTION 36, T38S, R11 1/2EWM, AND THE NW 1/4 OF SECTION 1, T39S, R11 1/2EWM, KLAMATH COUNTY, OREGON

MAY 1996

MAP PREPARED FOR  
-- KENNETH S. GORDON --

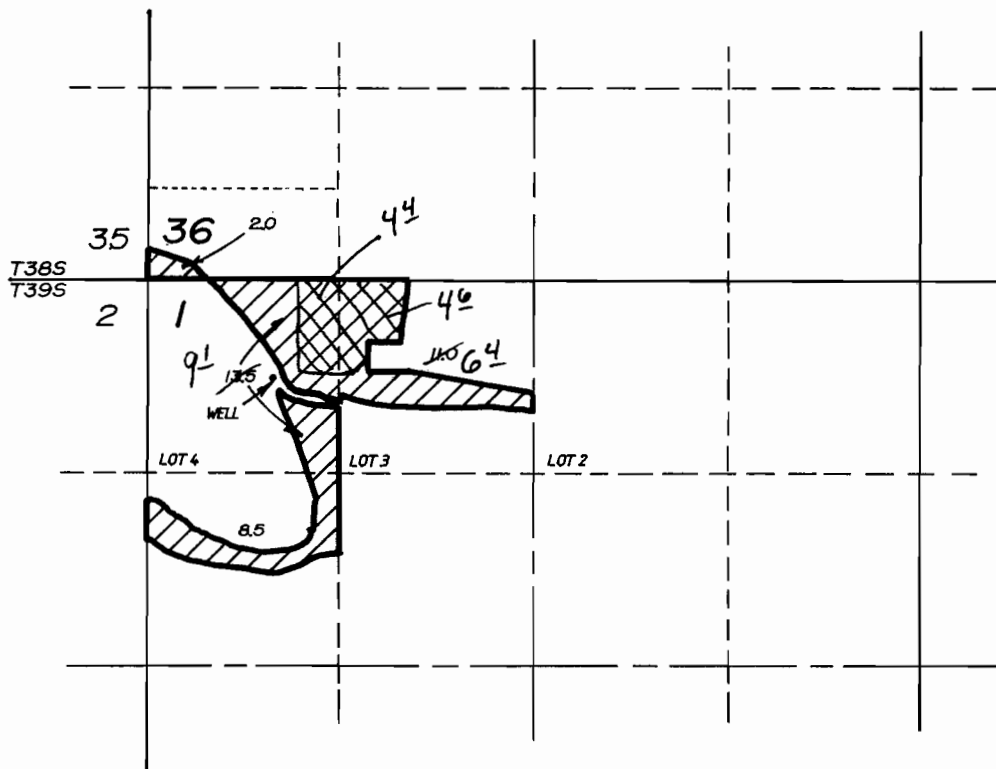
MAP PREPARED FROM  
-- FINAL PROOF SURVEY UNDER  
APPLICATION #G-5357 PERMIT #5295 --

-- FIELD SURVEY --

## RECEIVED

MAY 21 1996

WATER RESOURCES DEPT.  
SALEM, OREGON



LOCATION OF WELL BY FINAL PROOF SURVEY MAP  
UNDER APPLICATION #G-5357 PERMIT #G-5295

SCALE  
1" = 1320'

660 FEET SOUTH & 880 FEET EAST OF THE  
NORTHWEST CORNER OF SECTION 1

TOTAL AREA  
26.0  
-- 35.0 Ac. --

Lands under  
permit G-10476



Map modified on 9-25-2006 to account for acreage under prior permit.

THE PURPOSE OF THIS MAP IS TO IDENTIFY THE LOCATION OF THE WATER RIGHT. IT IS NOT INTENDED TO PROVIDE INFORMATION RELATIVE TO THE LOCATION OF PROPERTY OWNERSHIP BOUNDARY LINES.

MP WRD

TRU-LINE SURVEYING, INC.  
2333 SUMMERS LANE  
KLAMATH FALLS, OR. 97603