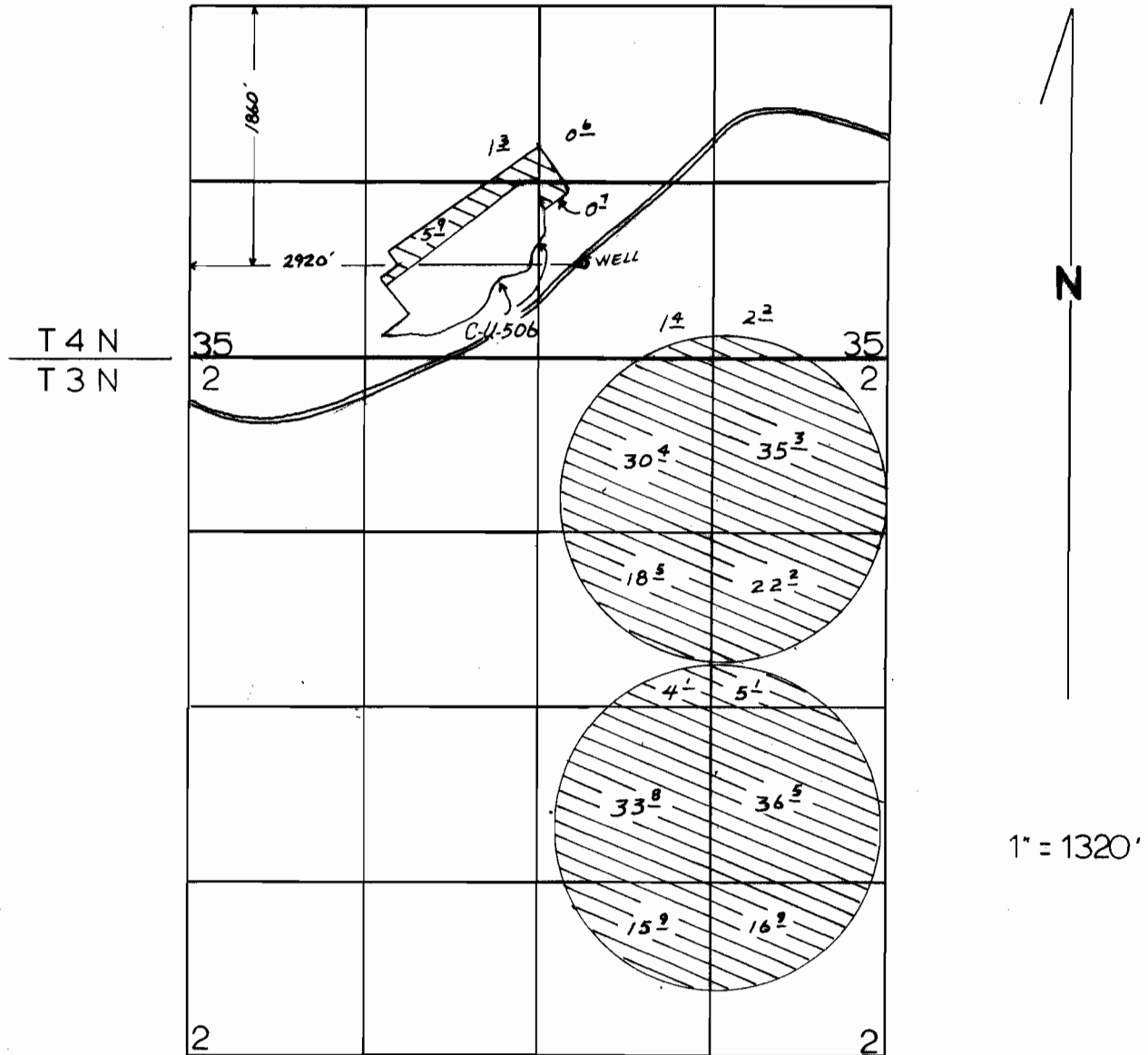


T3&4 N., R. 30 E., W.M.



FINAL PROOF SURVEY UNDER

Application No. G-10908 Permit No. G-10067
IN NAME OF

LEONARD A. LORENZEN, LORENZEN RANCHES, INC.

Surveyed 8-6, 1992, by J. MILLER