

T-8867

# T. 3N., R. 26E., W.M.

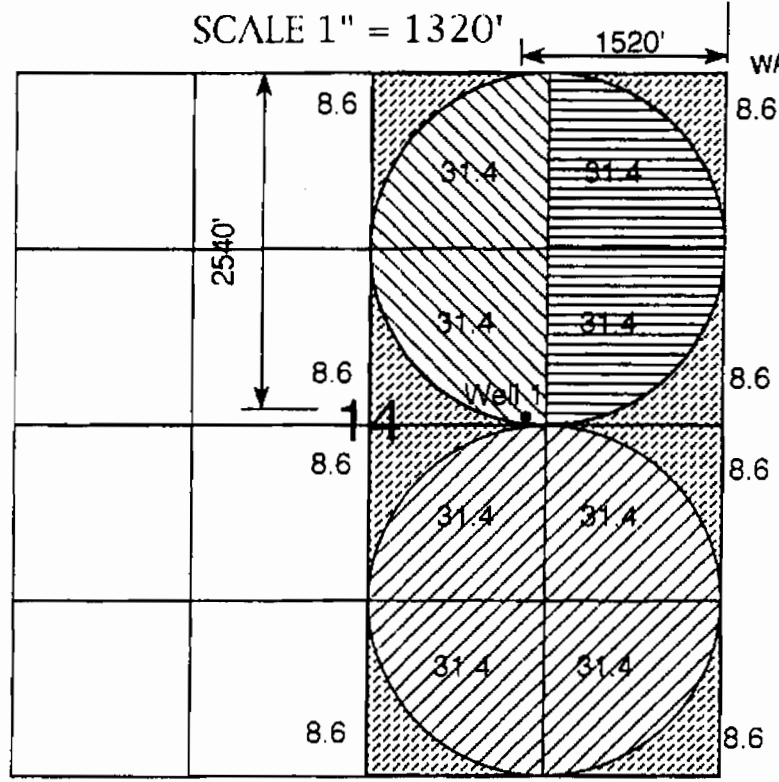
MORROW COUNTY

SCALE 1" = 1320'

**RECEIVED**

JUL 16 2001



WATER RESOURCES DEPT.  
SALEM, OREGON



Well 1 Loc. 2540' South & 1520' West of NE Corner Section 14

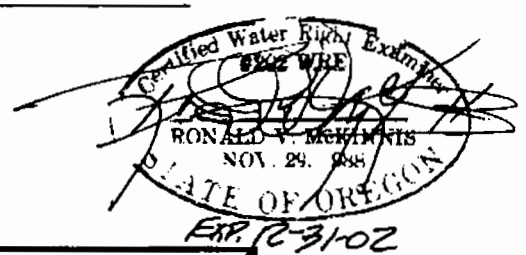
## WATER RIGHTS TRANSFER MAP

### Water Rights Transferred From This Location

-  To Dairy Use
  -  Change in Place of Use (Irrigation)
- IN NAME OF

**M & P Holdings, L.L.C**

THIS MAP IS FOR THE PURPOSE OF IDENTIFYING THE LOCATION OF WATER RIGHTS ONLY AND IS NOT INTENDED TO PROVIDE THE LEGAL DIMENSIONS OR LOCATIONS OF PROPERTY OWNERSHIP LINES.



ENGINEERING - LAND SURVEYING - WATER RIGHTS

**R. V. McKINNIS ENGINEERING**

79980 Prindle Loop Road  
Hermiston, Oregon 97838  
(541) -567-2017

