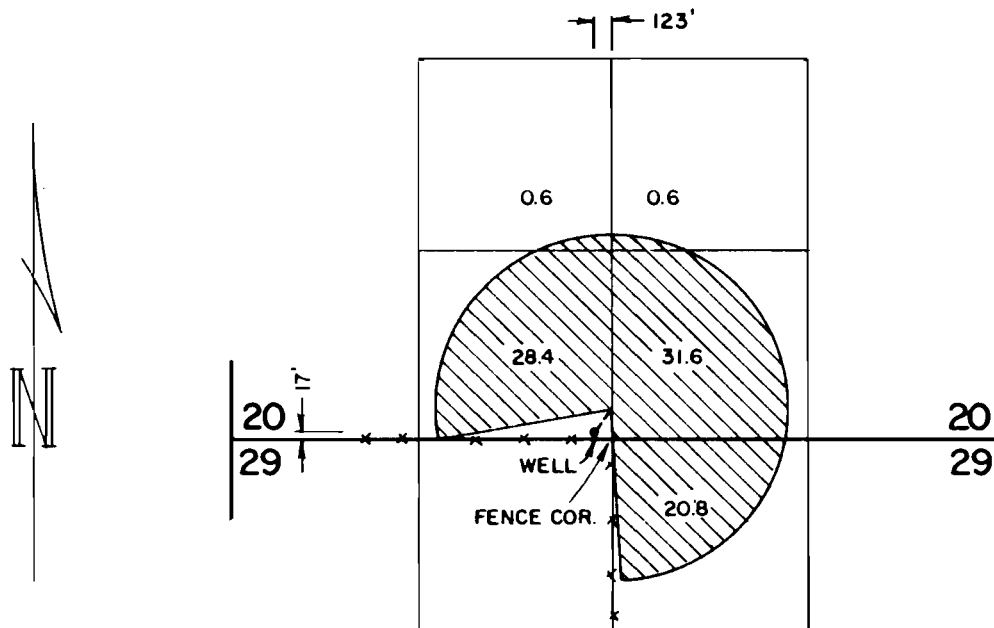


T 26 S, R 34 E, WM



RECEIVED
 MAY - 3 1996
 WATER RESOURCES DEPT.
 SALEM, OREGON

THE PURPOSE OF THIS MAP IS TO IDENTIFY THE LOCATION OF THE WATER RIGHT IT IS NOT INTENDED TO PROVIDE INFORMATION RELATIVE TO THE LOCATION OF PROPERTY OWNERSHIP.

FINAL PROOF SURVEY

UNDER
 APPLICATION NO. G-12817
 PERMIT NO. G-11679

IN THE NAME OF
 NEVIN AND SHIRLEY M.
 THOMPSON

Scale: 4" = 1 MILE

Date: APRIL 1996

Job: 1157-96

Dgn:
 Drn: CHRIS
 Ckd:



M. A. PALMER & SONS, INC.
 ENGINEERING & SURVEYING
 254 N. Alder - Box 61
 Burns, Oregon 97720

Sht. No.
 of 1

