

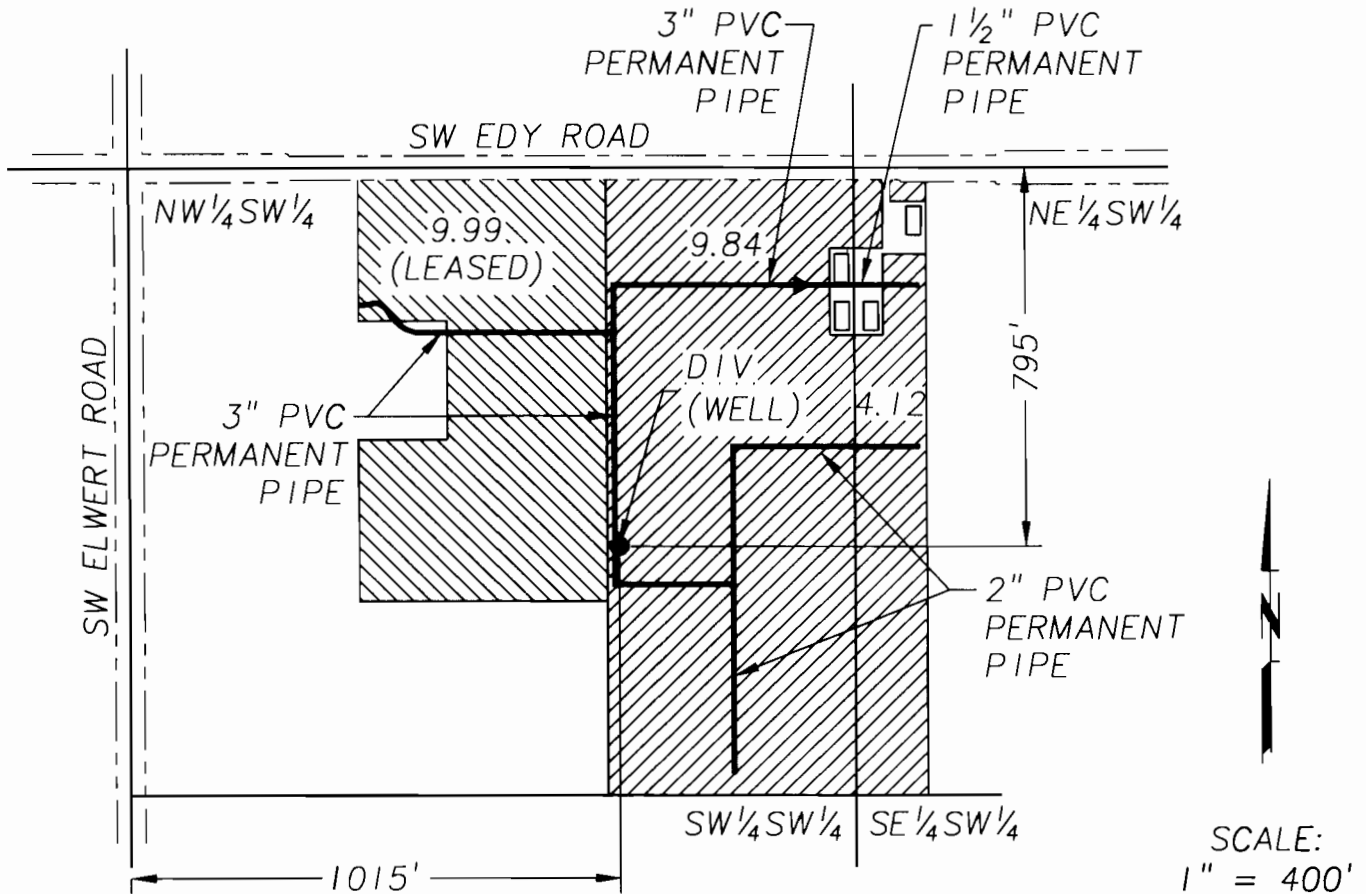
**RECEIVED**

**JAN 22 1998**

WATER RESOURCES DEPT.  
SALMON, OREGON

T.2S., R.1W., W.M.

SECTION 30



### FINAL PROOF SURVEY

UNDER APPLICATION NO. G-12586 PERMIT NO. G-11787

IN THE NAME OF  
WALTER W. LABAHN  
Sherwood, Oregon  
JANUARY 20, 1998



NOTE: This map is for the purpose of identifying the location of the water right only and is not intended to provide legal dimensions or locations of property lines.