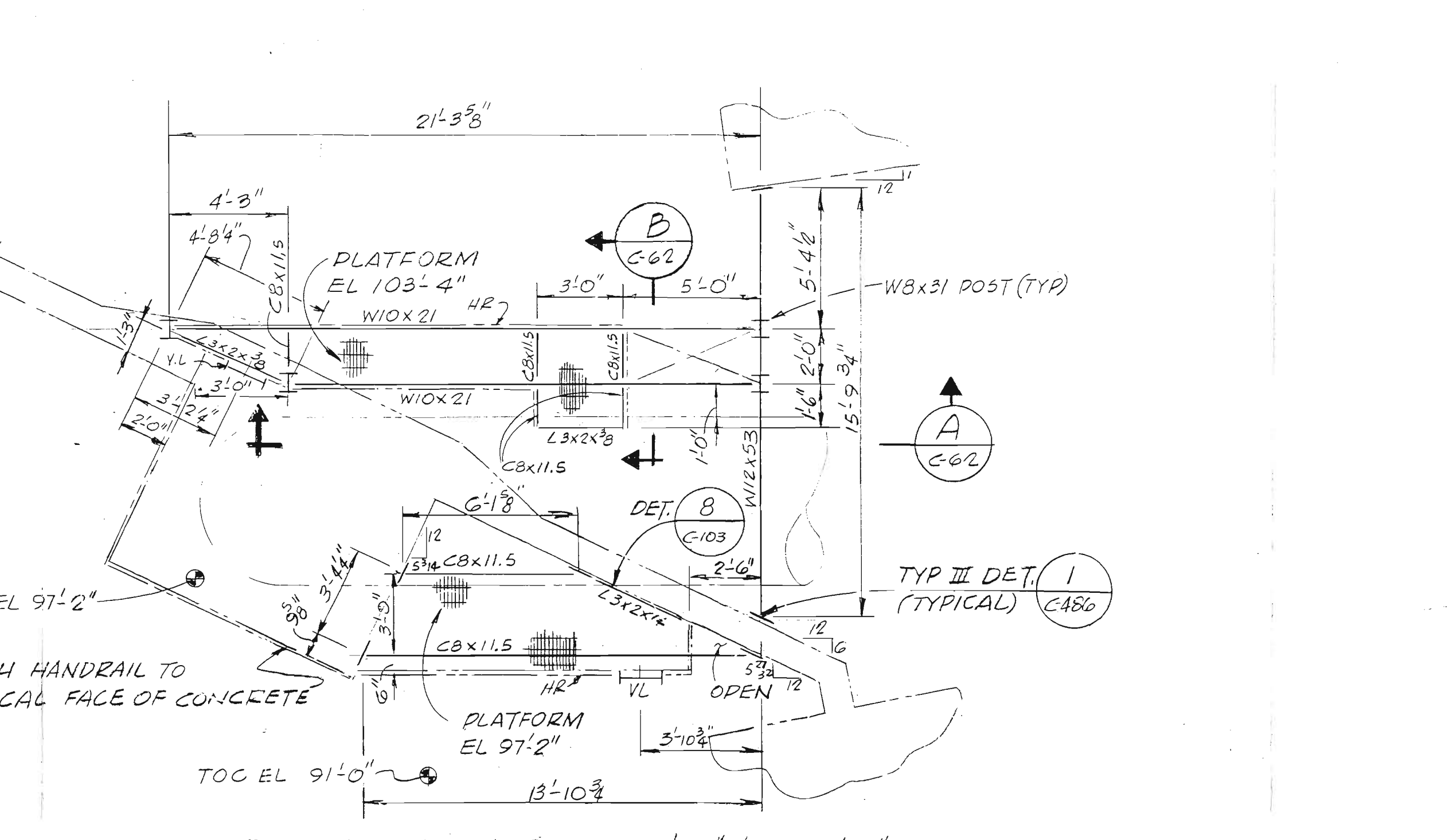
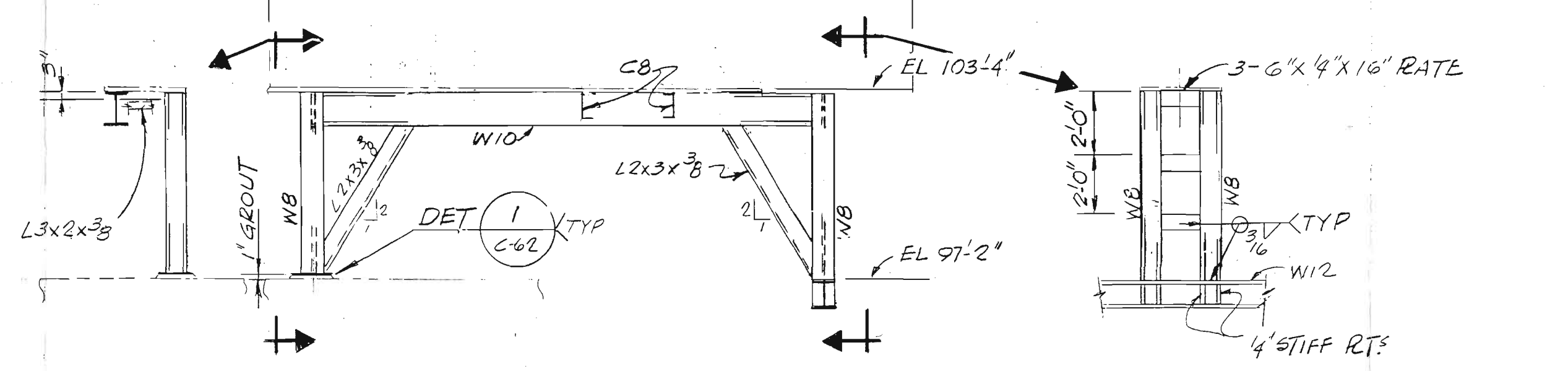


PLAN  
SCALE: 1" = 50'

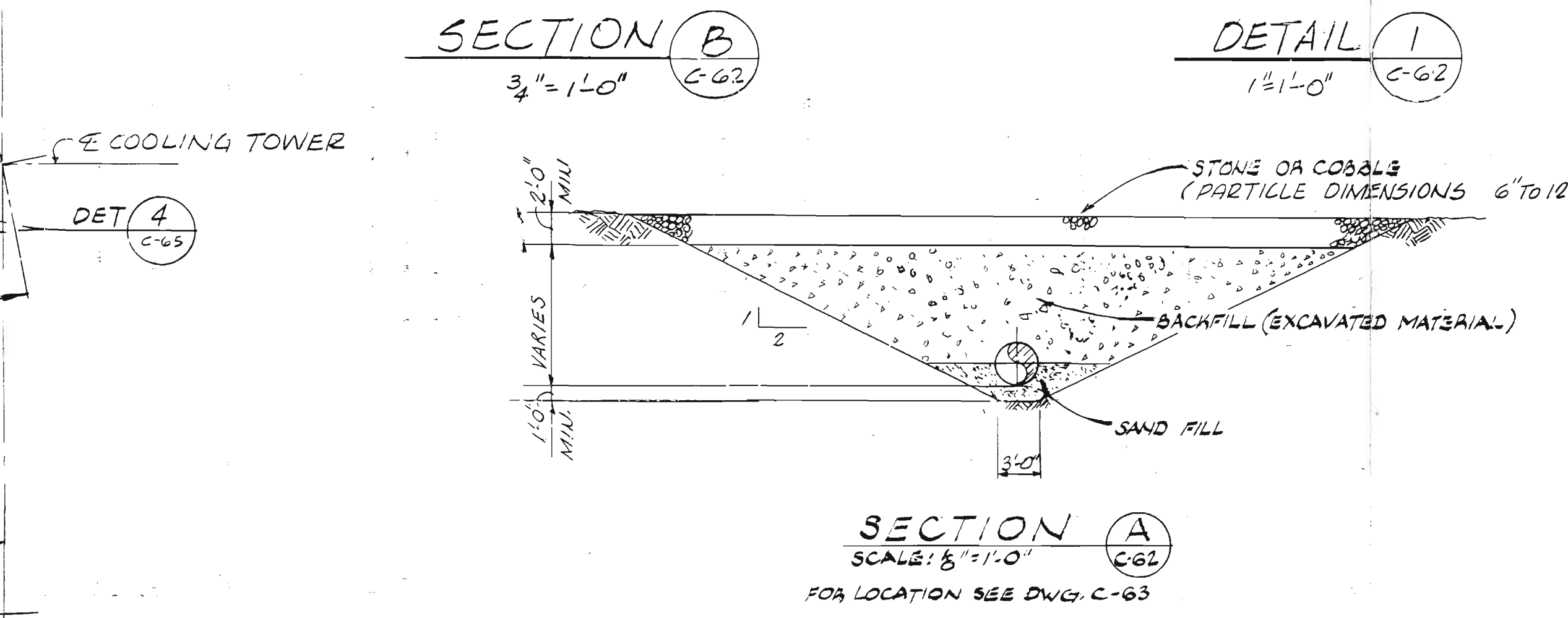


PLATFORMS @ EL 97'-2" & 103'-4"  
1/4" = 1'-0"



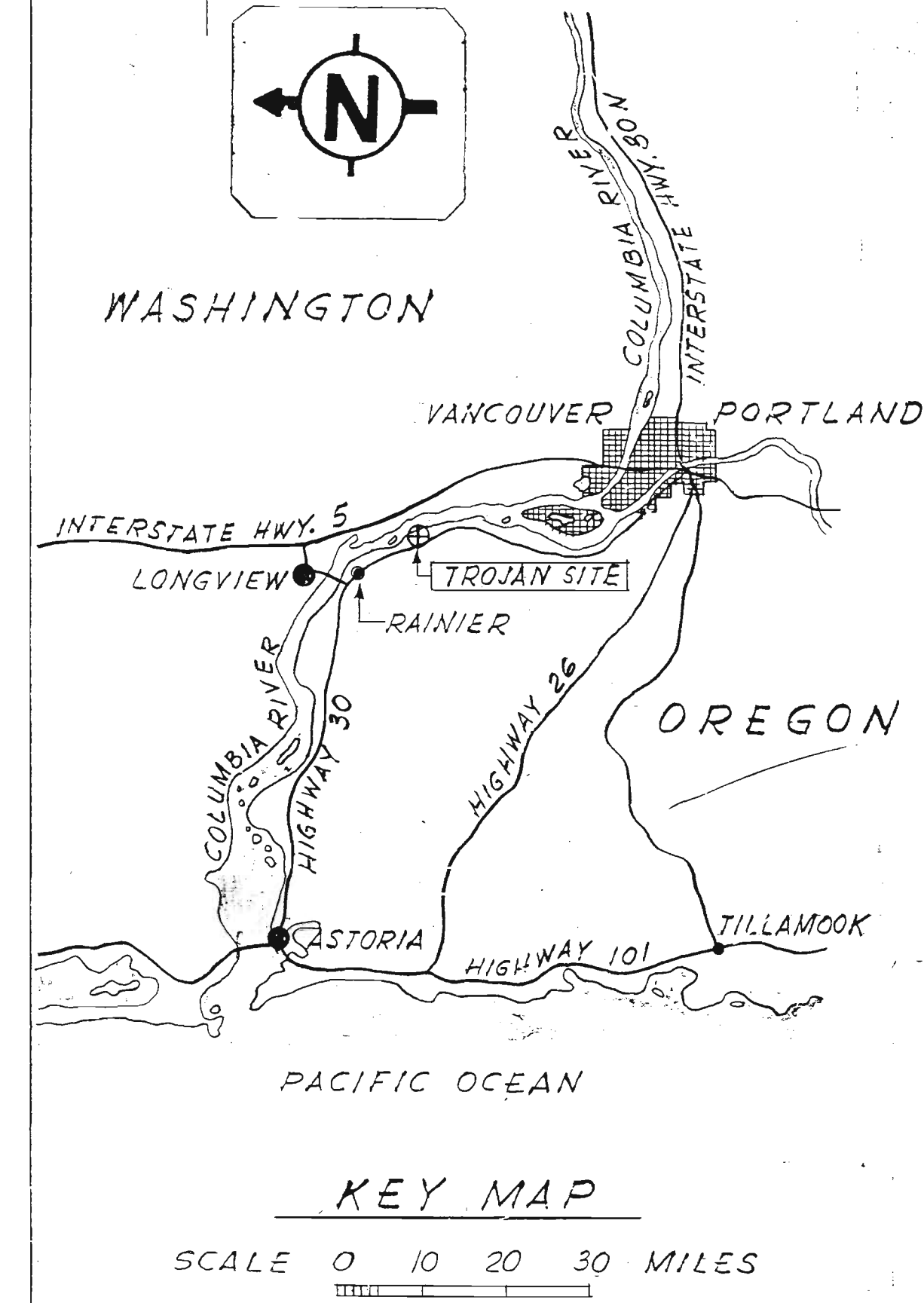
SECTION A  
4'-1-0" C-62

DETAIL 1  
1'-0" C-62



SECTION B  
3'-1-0" C-62

SECTION A  
SCALE: 3/4" = 1'-0"  
FOR LOCATION SEE DWG. C-63



KEY MAP  
SCALE 0 10 20 30 MILES

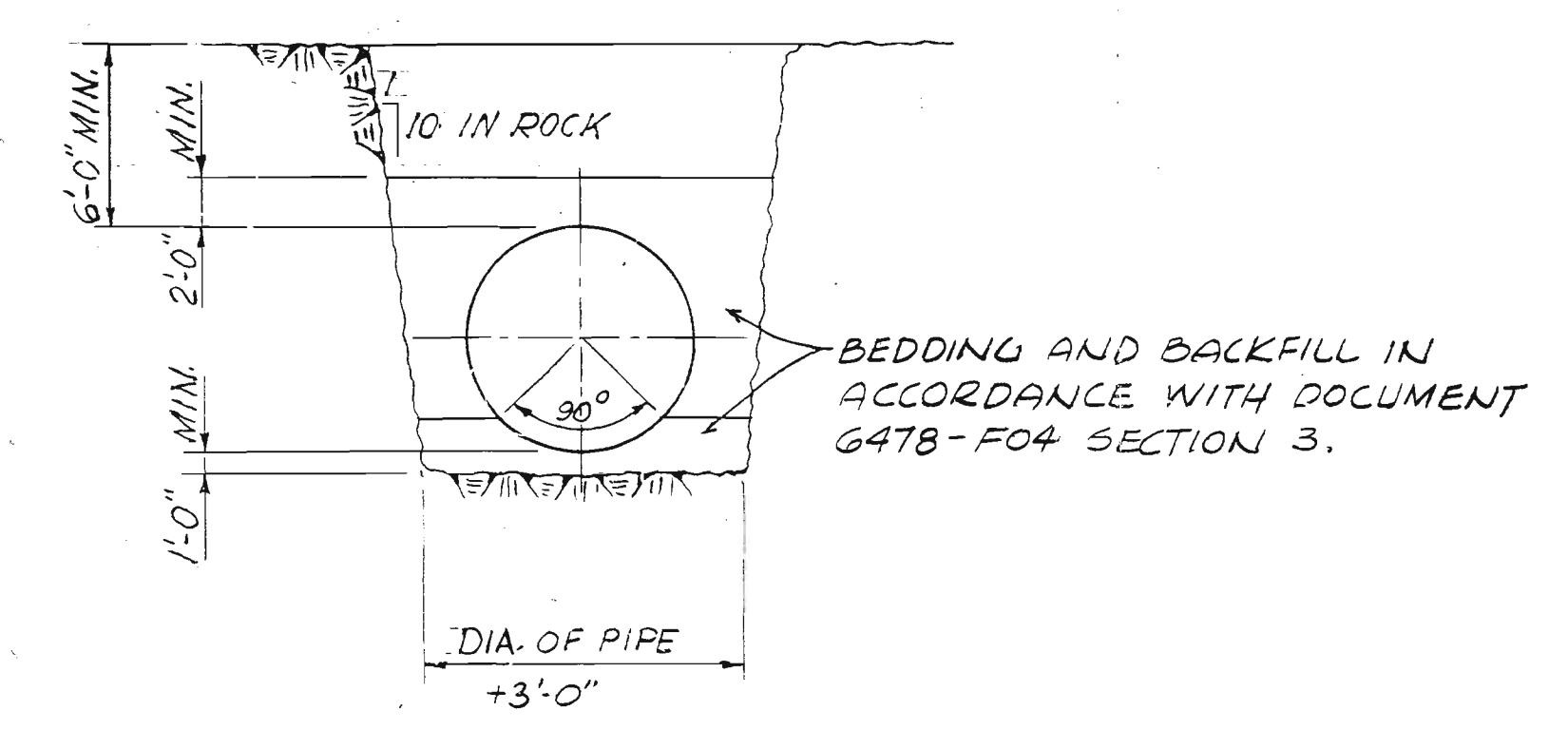
- NOTES**
- THIS DRAWING AND ALL REFERENCE DRAWINGS LISTED BELOW ARE PART OF SPECIFICATION 6478-C-62, SECTION 3 OF DOCUMENT 6478-F04.
  - THIS DRAWING TO BE READ IN CONJUNCTION WITH DWGS. C-63, C-64, C-65, C-66, C-69.
  - EXCAVATION OF PIPE TRENCHES IS NOT PART OF SECTION 3 OF DOCUMENT 6478-F04.
  - ALL VALVES, EXPANSION JOINTS (EXCEPT DRESSER TYPE COUPLINGS ON INCLINE) AND PUMPS FURNISHED AND INSTALLED BY OTHERS.
  - FOR LOCATION OF CABLE CONNECTIONS FOR CATHODIC PROTECTION SEE DWG. E-110 AND DETAIL C-63 FOR BIDDING PURPOSE ASSUME CONNECTIONS.
  - PLATFORMS, HANDRAILS AND LADDERS AT THE COOLING TOWER SHALL BE GALVANIZED.

**REFERENCE DRAWINGS**

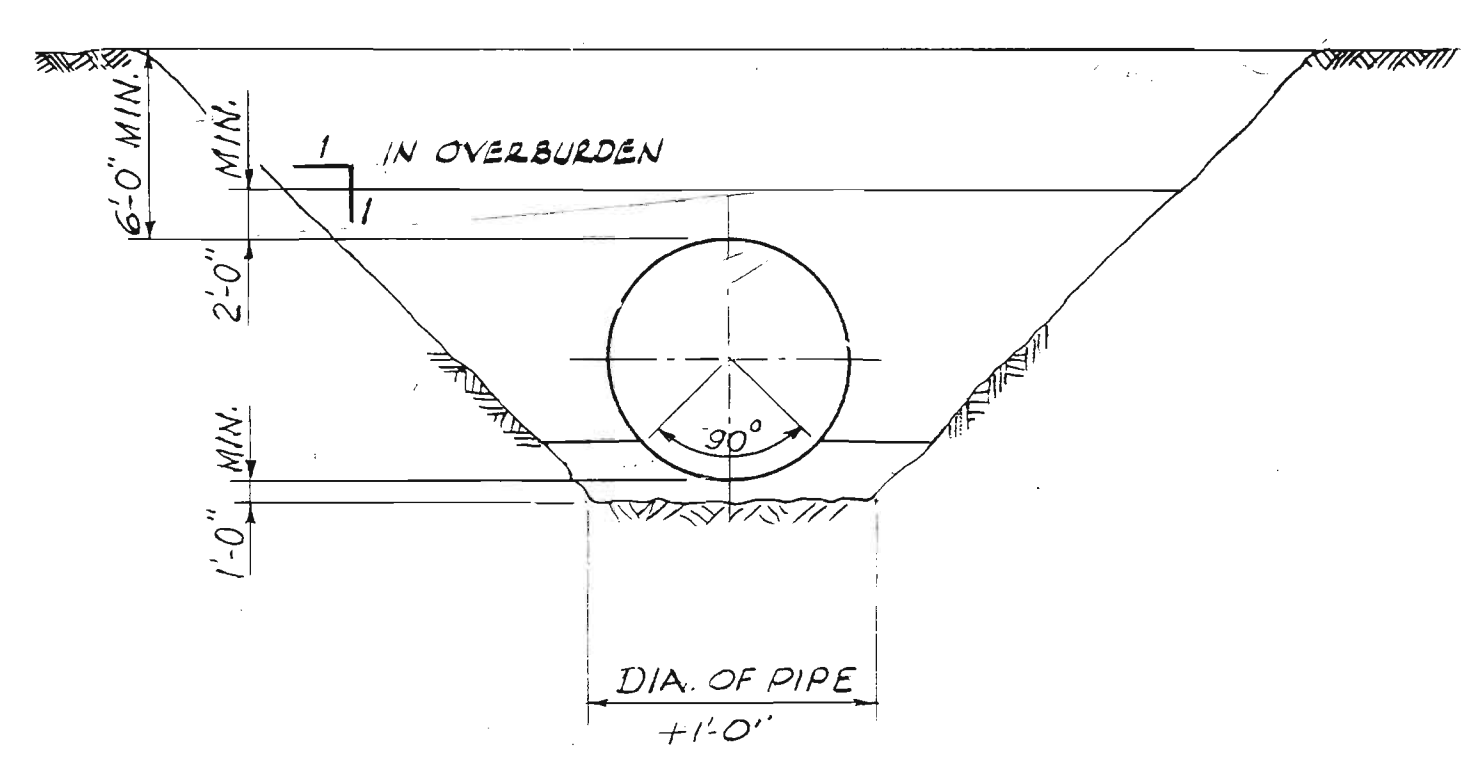
C-62	CIRCULATING WATER PIPING	PLAN
C-63	"	PROFILES
C-64	"	DETAILS SHEET 1
C-65	"	DETAILS SHEET 2
C-66	"	CONCRETE ANCHOR BOLTS
C-69	"	CONCRETE ENCASUREMENTS
C-7152	SERVICE WATER DISCHARGE PIPE SUPPORT BEUP. PLAN & DETAILS	
C-7153	SERVICE WATER DISCHARGE PIPE MODIFICATIONS - PLAN & DETAILS	

Control of this drawing (at Rev. 12) transferred to PG&E from Bechtel as of November 2, 1979.

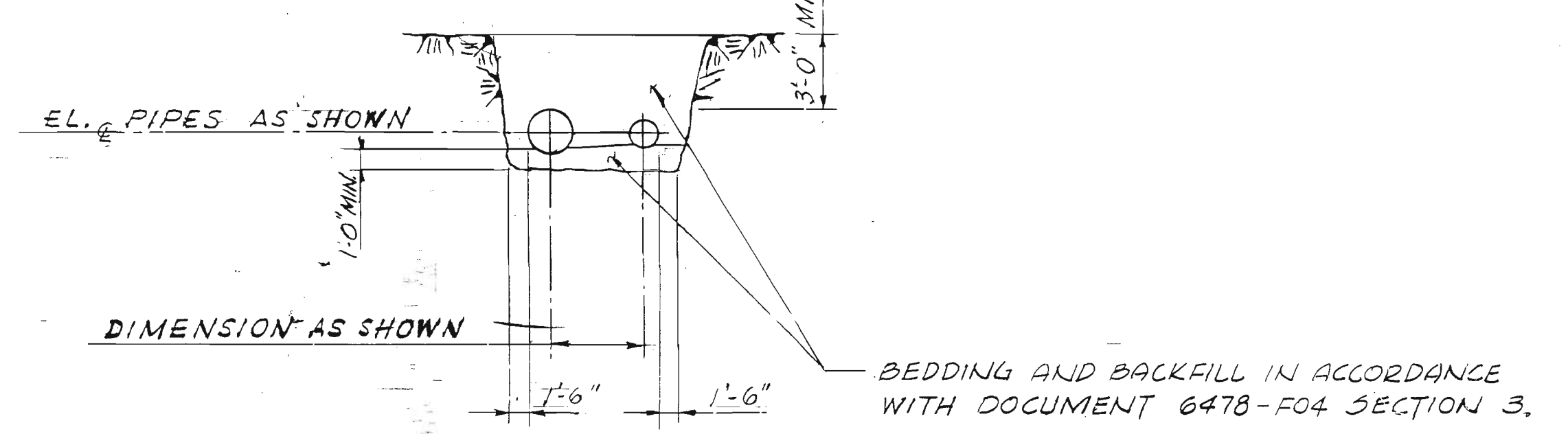
NO.	DATE	REVISIONS	BY	CHKD	ENGR	PROJ. CHIEF
1	2/28/74	INC. DCN #3	HP	HP	HP	HP
2	4/17/77	ADDED PLATE @ EL. 97'-2" / 103'-4"	HP	MK	HP	HP
3	11-17-77	REFERENCE TO DET 11C-63 & ISSUED FOR CONSTRUCTION (FOB)	R	A	R	A
4	7-28-77	INC. DCN #2 ISSUED FOR PROPOSAL (FOB)	R	KCS	A	HP
5	2-26-79	RELEASED HOLDINGS INCORPORATED DCN 1	HI	A	R	HP
6	3-5-79	ISSUED FOR CONSTRUCTION (FOB)	SH	HP	A	HP



TYPICAL EXCAVATION AND BACKFILL IN ROCK FOR PIPES OVER 36" DTA.



TYPICAL EXCAVATION AND BACKFILL IN OVERBURDEN FOR PIPES 36" AND UNDER NOT TO SCALE



The structure shown on this drawing is Class II.

**TROJAN NUCLEAR PLANT**  
PORTLAND GENERAL ELECTRIC CO. PORTLAND, OREGON

**COOLING WATER SYSTEM CIRCULATING WATER PIPING PLAN**

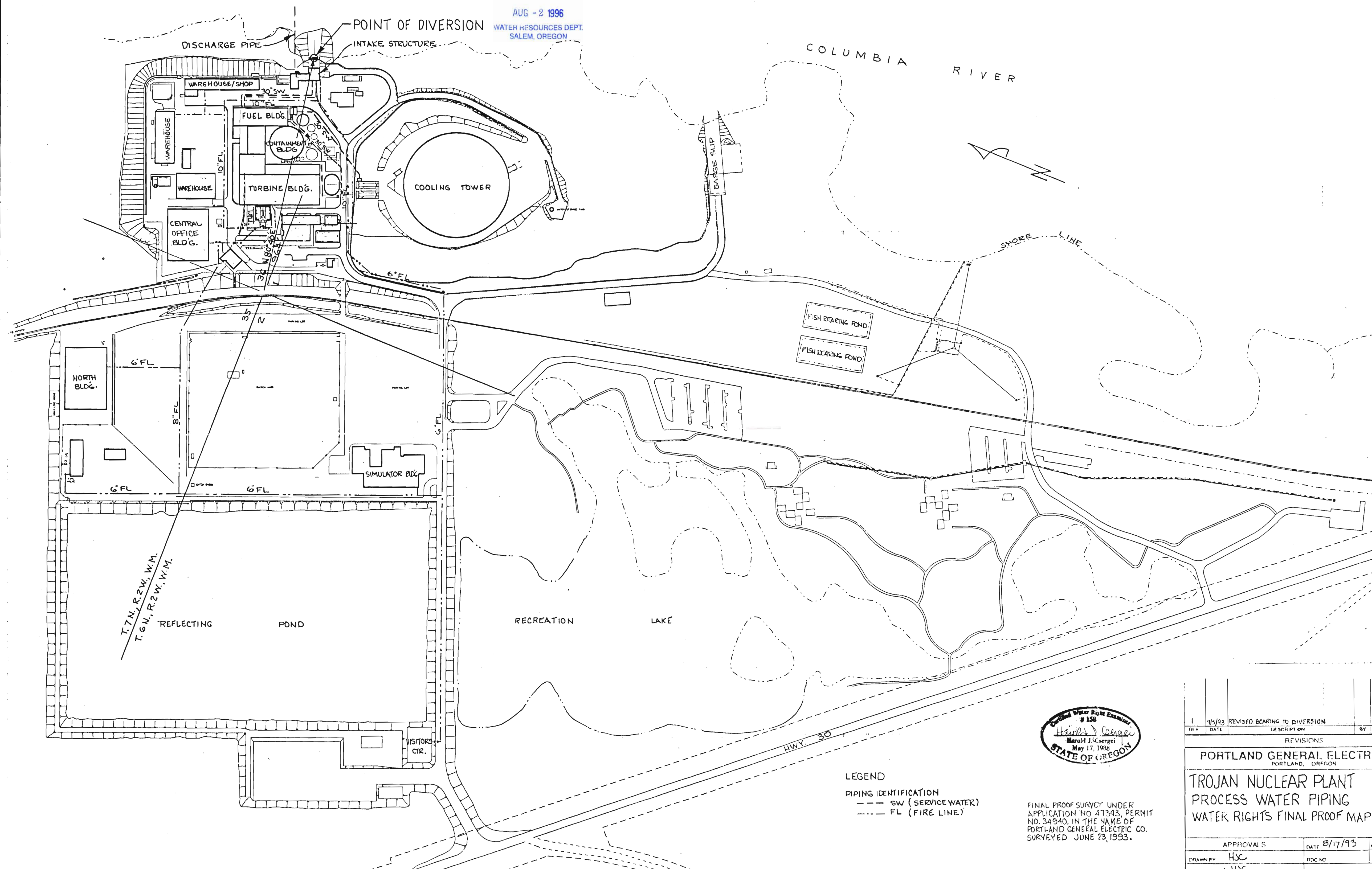
BECHTEL

JOB NO. 6478 DRAWING NO. C-62 REV. 13

RECEIVED

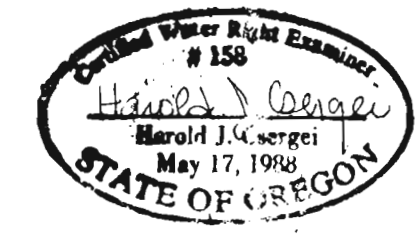
AUG - 2 1996

WATER RESOURCES DEPT.  
SALEM, OREGON



LEGEND

- PIPING IDENTIFICATION
- SW (SERVICE WATER)
- FL (FIRE LINE)



FINAL PROOF SURVEY UNDER  
APPLICATION NO. 47343, PERMIT  
NO. 34940, IN THE NAME OF  
PORTLAND GENERAL ELECTRIC CO.  
SURVEYED JUNE 23, 1993.

1	9/5/93	REVISED BEARING TO DIVERSION	HSC	GMH
REV	DATE	DESCRIPTION	BY	APPD
REVISIONS				
PORTLAND GENERAL ELECTRIC CO. PORTLAND, OREGON				
TROJAN NUCLEAR PLANT PROCESS WATER PIPING WATER RIGHTS FINAL PROOF MAP				
APPROVALS		DATE 8/17/93	SCALE 1"=200'	
DRAWN BY HSC	FIG. NO.	REP. NO.		
ENGINEER HSC	DRAWING NO.	REV.		
SUPV				
APPD				
		D-10578		

