

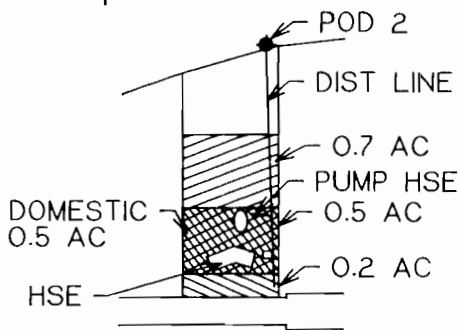
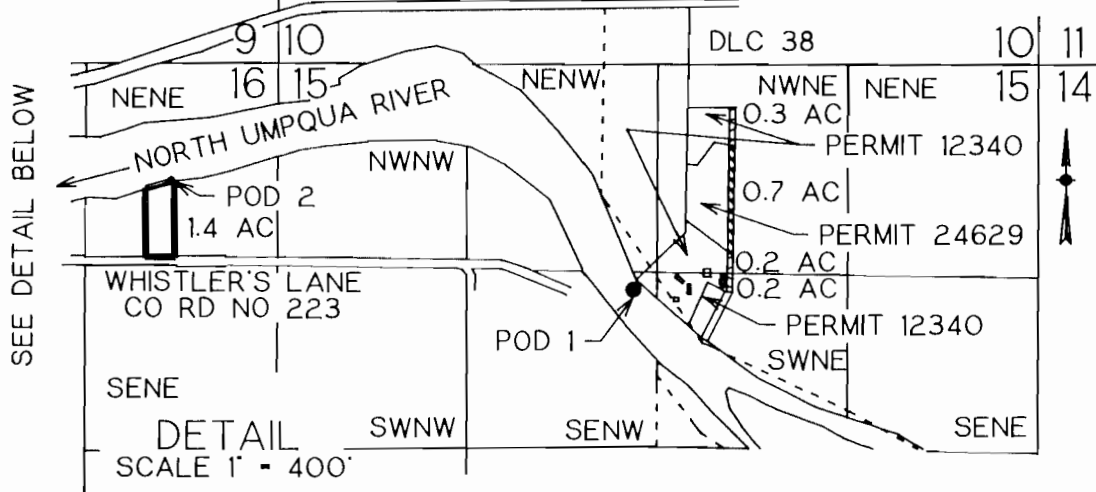
WATER RIGHT TRANSFER MAP T26S, R4W, WM

SCALE 1" = 1320'

T6955

DOUGLAS COUNTY

NORTH BANK COUNTY RD NO 200



- PERMIT NO 24629, DECEMBER 17, 1956
- PRIMARY PERMIT NO 51442, FEB 18, 1992
SUPPL PERMIT NO 12340, AUG 31, 1936
- PERMIT NO 12340, AUGUST 31, 1936

TRANSFER OF WATER RIGHT FROM NWNE
AND SWNE SEC 15 TO NENE SEC 16

POD 1 IS 1550 FT S AND 2760 FT W FROM NE COR SEC 15
POD 2 IS 520 FT N AND 580 FT E FROM SW COR, NE 1/4 NE 1/4, SEC 16

FINAL PROOF SURVEY UNDER

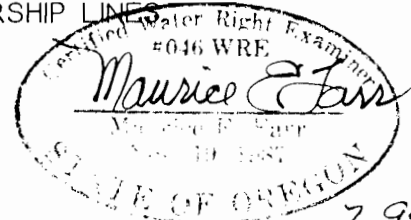
Application No. T-6955

IN NAME OF

WILLIAM OR SHIRLEY BUCKINGHAM

Surveyed July 20, 1994 by M E Farr

THIS IS A LOCATION MAP FOR A WATER RIGHT TRANSFER BY WILLIAM OR SHIRLEY BUCKINGHAM. THIS MAP IS FOR THE PURPOSE OF IDENTIFYING THE LOCATION OF THE WATER RIGHT ONLY AND IS NOT INTENDED TO PROVIDE LEGAL DIMENSIONS OR LOCATIONS OF PROPERTY OWNERSHIP LINES.



7-94

EXPIRES 12-31-95