

FINAL PROOF SURVEY AND CLAIM OF BENEFICIAL USE

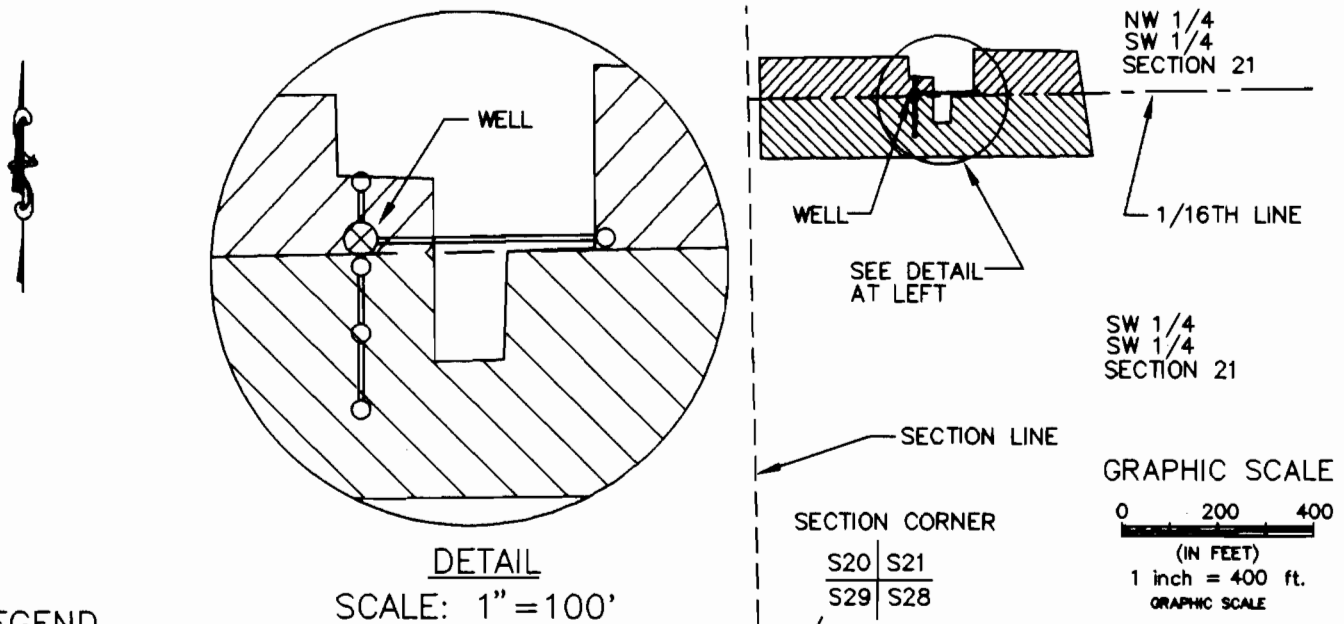
RECEIVED

NOV 02 1998

WATER RESOURCES DEPT
SALEM, OREGON

LOCATED IN
NW 1/4, SW 1/4, AND SW 1/4, SW 1/4,
SECTION 21, T.1S., R.32E., W.M.
UMATILLA COUNTY, OREGON
KENNETH STELK

TRANSFER APPLICATION T-⁶⁸²⁵~~6820~~ MODIFYING A PORTION OF
CERTIFICATE 72775 PERFECTED UNDER PERMIT G-5510,
THROUGH SPECIAL ORDER VOLUME 51, PAGE 1,173, APPROVING
CHANGE IN POINT OF APPROPRIATION.

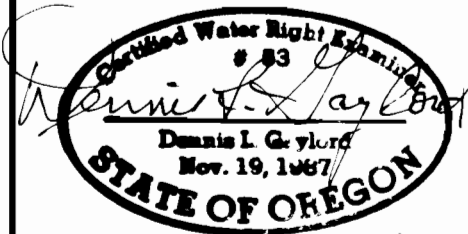


LEGEND

- AREA UNDER IRRIGATION WITHIN NW 1/4, SW 1/4 1.11 ACRES
- AREA UNDER IRRIGATION WITHIN SW 1/4, SW 1/4 1.94 ACRES
- 3" RISER
- WELL-NEW POINT OF APPROPRIATION
- BURIED 2" PVC DISTRIBUTION LINE
- 1/16th SECTION LINE
- SECTION LINE

LOCATION OF WELL
WITHIN NW 1/4, SW 1/4,
SECTION 21, T.1S., R.32E.,
W.M., 1,328 FT. NORTH AND
345 FT. EAST OF THE
SECTION CORNER COMMON
TO SECTIONS 20, 21, 28,
AND 29.

This map is prepared for the express purpose to show water appropriation and use. It is not intended to show or locate property ownership lines.



DENNIS L. GAYLORD, CWRE
71614 S.W. LAKE DRIVE
PENDLETON, OR 97801
(541) 276-6260
August 4, 1998

©

Reviews 6/30/99

DRAWN BY: H B WILLIAMS DRAFTING