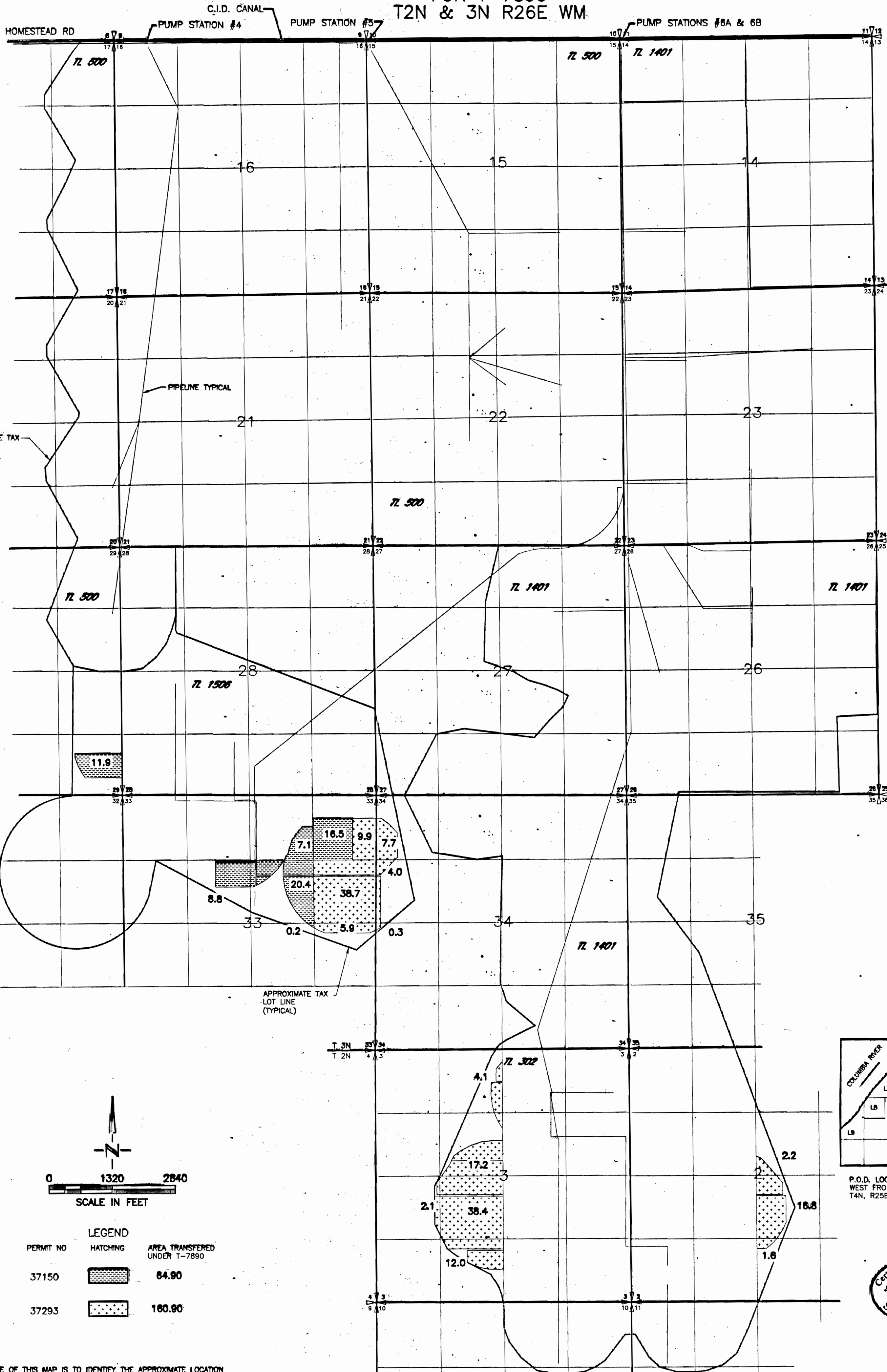


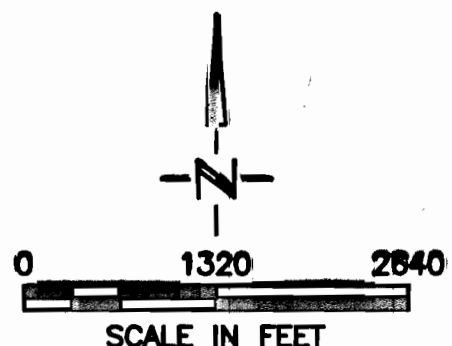
COBU MAP # 0127

FINAL PROOF SURVEY
FOR T-7890
T2N & 3N R26E WM

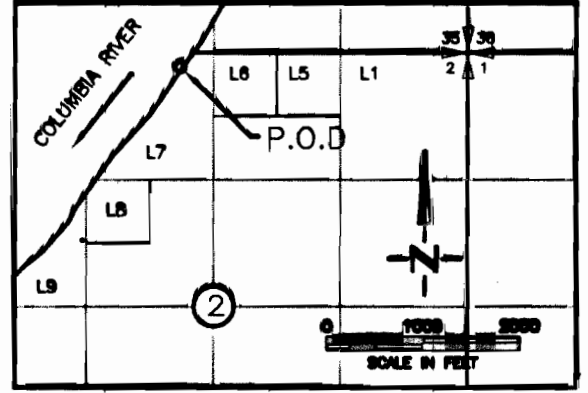


APPROXIMATE TAX LOT LINE (TYPICAL)

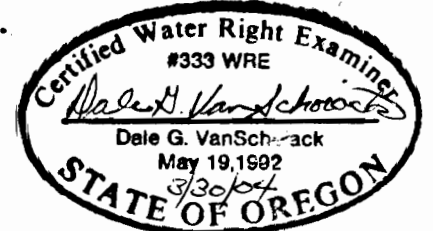
APPROXIMATE TAX LOT LINE (TYPICAL)



PERMIT NO	HATCHING	AREA TRANSFERRED UNDER T-7890
37150	[Cross-hatch pattern]	64.90
37293	[Dotted pattern]	160.90



P.O.D. LOCATED 150' SOUTH AND 2990' WEST FROM THE NE CORNER OF SECTION 2, T4N, R25E WM



NOTE:
THE PURPOSE OF THIS MAP IS TO IDENTIFY THE APPROXIMATE LOCATION OF THE TRANSFERRED WATER RIGHT. IT IS NOT INTENDED TO PROVIDE DETAILED INFORMATION RELATIVE TO THE LOCATION OF PROPERTY OWNERSHIP BOUNDARY LINES.
INFORMATION ON THIS MAP HAS BEEN PREPARED USING EXISTING MAPS AND OTHER INFORMATION MADE AVAILABLE BY THE OWNERS AND INFORMATION OBTAINED IN THE FIELD.

BOISE CASCADE FIBER FARM
FINLEY BUTTES UNIT

