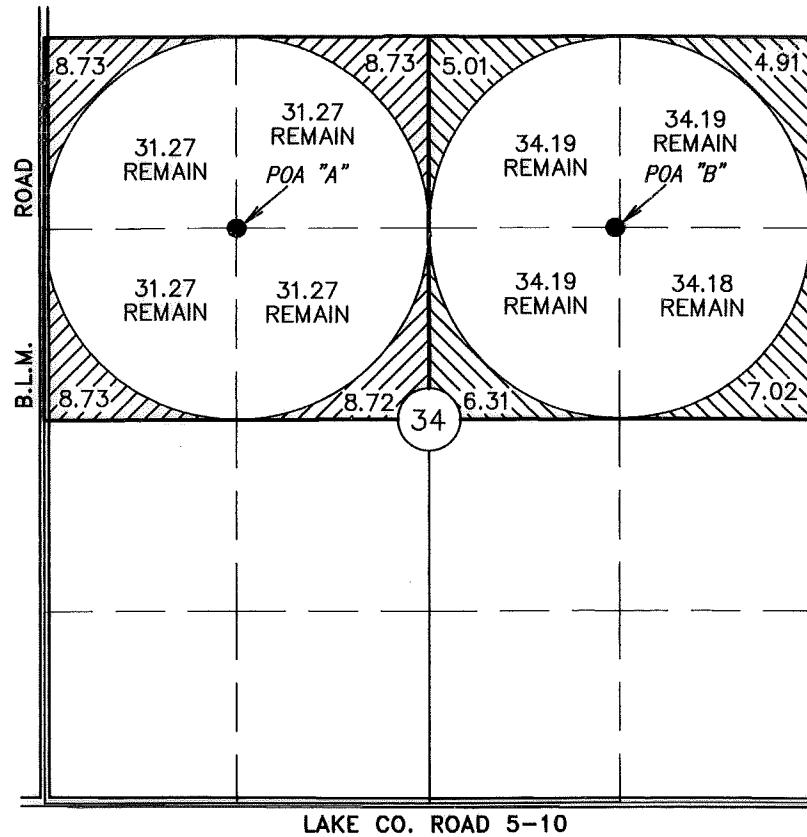


**MAP TO ACCOMPANY APPLICATION  
TO CHANGE POINT OF APPROPRIATION AND PLACE OF USE  
FOR  
RON LA FRANCHI**

**"FROM"**  
TOWNSHIP 25 SOUTH, RANGE 14 EAST, W.M.  
LAKE COUNTY, OREGON

TAX LOTS 2300 & 2400  
IN SECTION 34



- **EXISTING POINT OF APPROPRIATION "A"**  
WELL LOCATED IN SW 1/4 NW 1/4, SECTION 34, T25S, R14E, WM; AND 1320 FEET SOUTH AND 1320 FEET EAST FROM THE NW CORNER OF SECTION 34. WELL LOG LAKE 153.
- **EXISTING POINT OF APPROPRIATION "B"**  
WELL LOCATED IN SW 1/4 NE 1/4, SECTION 34, T25S, R14E, WM; AND 1320 FEET NORTH AND 1350 FEET WEST FROM THE E 1/4 CORNER OF SECTION 34. WELL LOG LAKE 154.



34.91 ACRES EXISTING WATER RIGHTS FROM  
CERTIFICATE No. 47618 (G-6696), AS SHOWN.



23.25 ACRES EXISTING WATER RIGHTS FROM  
CERTIFICATE No. 52623 (G-7484), AS SHOWN.

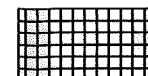
**RECEIVED**

AUG 27 2009

WATER RESOURCES DEPT  
SALEM, OREGON



21.55 ACRES WATER RIGHTS FROM  
CERTIFICATE No. 46977 (G-5762), AS SHOWN.



42.0 ACRES WATER RIGHTS FROM CERTIFICATE  
No. 46980 (G-6812), AS SHOWN.



23.25 ACRES WATER RIGHTS FROM  
CERTIFICATE No. 52623 (G-6696), AS SHOWN.



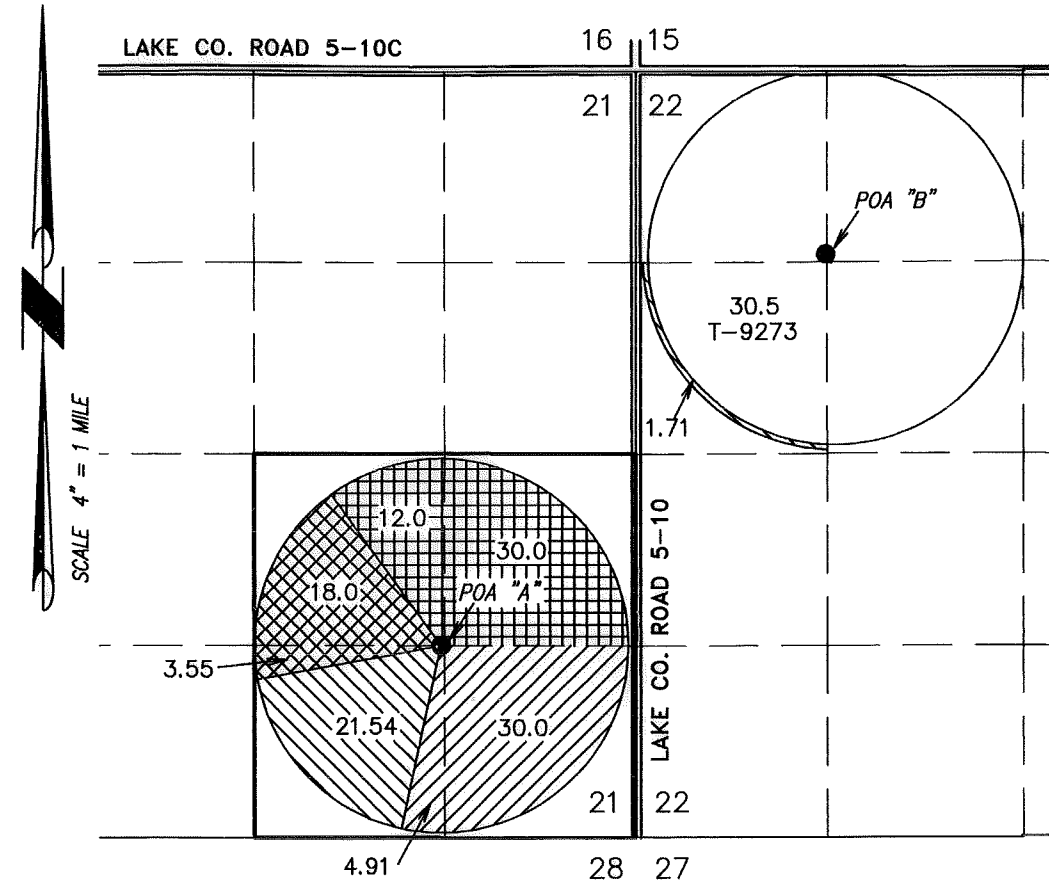
34.91 ACRES WATER RIGHTS FROM  
CERTIFICATE No. 47618 (G-7484), AS SHOWN.

**"TO"**

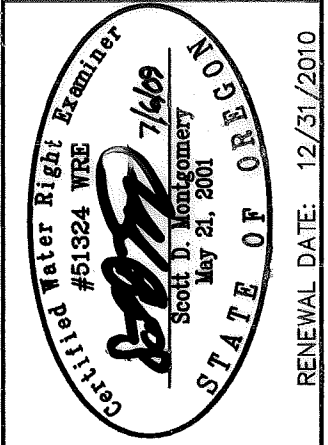
TOWNSHIP 26 SOUTH, RANGE 15 EAST, W.M.  
LAKE COUNTY, OREGON

TAX LOT 2800  
IN SECTION 21

TAX LOT 1900  
IN SECTION 22



- **PROPOSED POINT OF APPROPRIATION "A"**  
WELL LOCATED IN NW 1/4 SE 1/4, SECTION 21, T26S, R15E, WM; AND 1326 FEET NORTH AND 1338 FEET WEST FROM THE SE CORNER OF SECTION 21. WELL LOGS LAKE 52012 & 51879.
- **PROPOSED POINT OF APPROPRIATION "B"**  
WELL LOCATED IN NW 1/4 NW 1/4, SECTION 22, T26S, R15E, WM; AND 1260 FEET SOUTH AND 1300 FEET EAST FROM THE NW CORNER OF SECTION 22. WELL LOG LAKE 51752.



**ALL POINTS ENGINEERING  
& SURVEYING, INC.**  
P.O. BOX 767 (CRR)  
TERREBONNE, OREGON 97760  
(541) 548-5833 PH  
(541) 585-4602 FX  
www.APEandS.com

PROJECT No. 09-033  
PREPARED AT THE REQUEST OF:  
**RON LA FRANCHI**  
580 NORTH CENTRAL  
COQUILLE, OR 97423

THIS MAP IS FOR THE PURPOSE OF LOCATING A WATER RIGHT ONLY AND HAS NO INTENT TO PROVIDE LEGAL DIMENSIONS OR THE LOCATION OF PROPERTY LINES.

T 70949