

FINAL PROOF SURVEY AND CLAIM OF BENEFICIAL USE

RECEIVED

FEB 05 1999

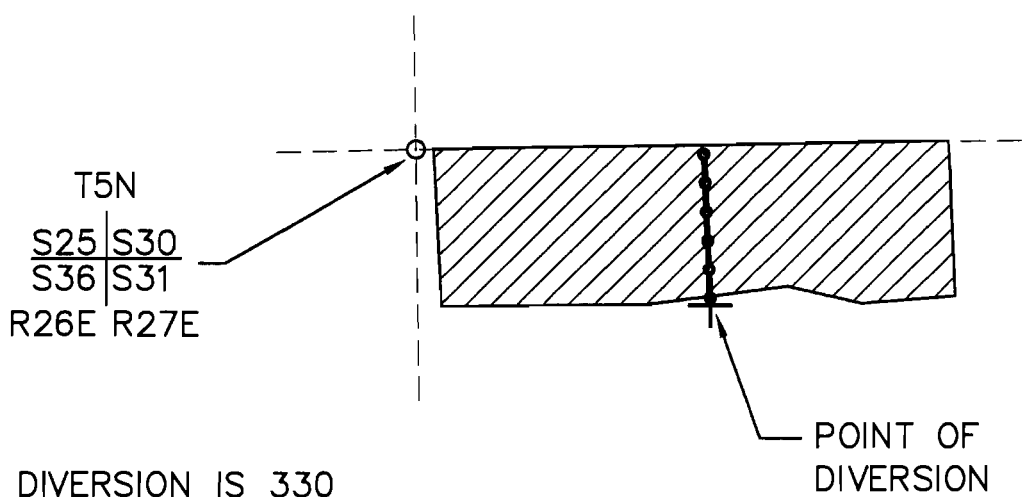
WATER RESOURCES DEPT.
SALEM, OREGON

LOCATED WITHIN THE
NW 1/4, NW 1/4, SECTION 31, T.5N., R.27E.
MORROW COUNTY, OREGON
WAYNE H. AND MARLENE L. SCHNELL

APPLICATION S-73194

PERMIT 52914

IRRIGATION OF 7.9 ACRES



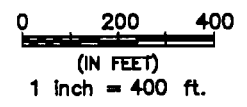
POINT OF DIVERSION IS 330 FEET SOUTH AND 610 FEET EAST OF THE NORTHWEST CORNER OF SECTION 31, T.5N., R.27E., W.M.

NW 1/4, NW 1/4
S31, T.5N., R.27E.

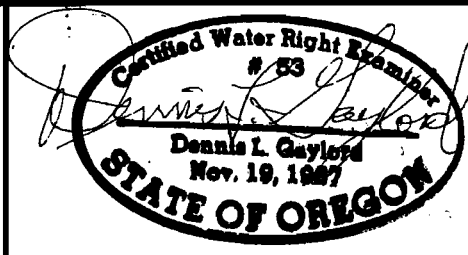
LEGEND

- AREA BENEFICIALLY IRRIGATED
- 4" DIAMETER BURIED MAIN LINE
- 4" DIAMETER RISER
- POINT OF DIVERSION
- 1/16th SECTION LINE

GRAPHIC SCALE



This map is prepared for the express purpose to show water appropriation and use. It is not intended to show or locate property ownership lines.



DENNIS L. GAYLORD, CWRE
71614 S.W. LAKE DRIVE
PENDLETON, OR 97801
(541) 276-6260
January 27, 1999

DRAWN BY: H B WILLIAMS DRAFTING

Renews JUNE 30, 1999